



# Illustrated Parts List

## Model Series

# 295400

TYPE NUMBERS  
0110 through 0142.

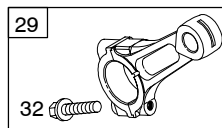
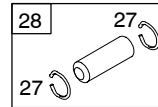
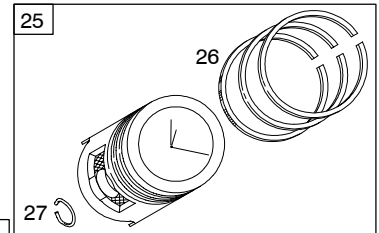
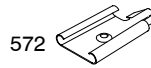
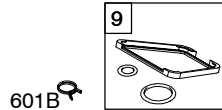
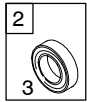
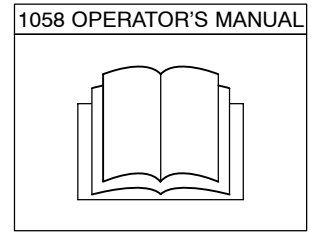
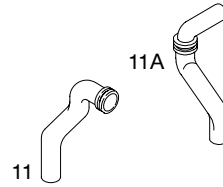
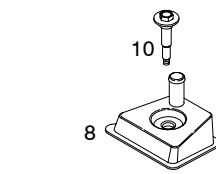
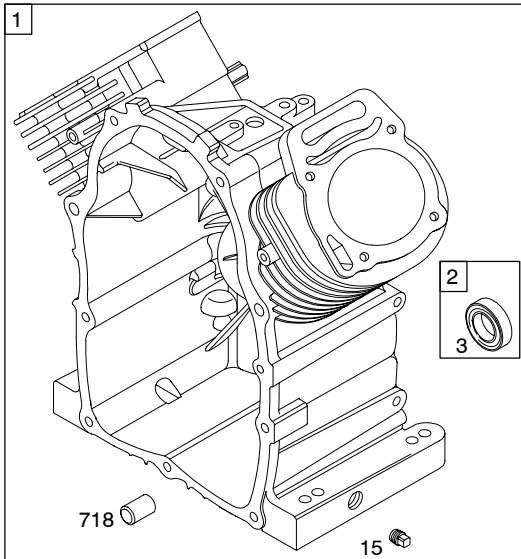
### TABLE OF CONTENTS

Air Cleaner .....	7
Alternator .....	14
Blower Housings .....	11
Camshaft .....	2
Carburetor .....	6
Carburetor Overhaul Kit .....	6
Controls .....	9
Crankcase Cover/Sump .....	4
Crankshaft .....	2
Cylinder .....	2
Cylinder Head .....	3
Electric Starter .....	15
Engine Gasket Set .....	2
Flywheel .....	12
Fuel Supply .....	8
Governor Spring .....	9
Ignition .....	14
Intake Manifold .....	4
Lubrication .....	5
Piston/Rings/Connecting Rod .....	2
Rewind Starter .....	13
Shrouds .....	10
Valves .....	3
Valve Gasket Set .....	3

PRINTED IN U.S.A.



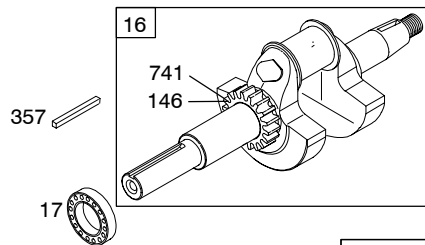
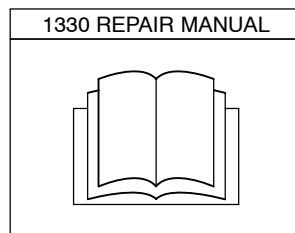
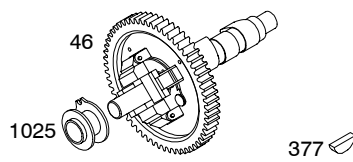
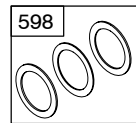
COPYRIGHT by BRIGGS & STRATTON CORPORATION  
All rights reserved. No part of this material may be reproduced or transmitted, in any form or by any means, electronic or mechanical, including photocopying, recording or by any information storage and retrieval system, without permission in writing from Briggs & Stratton Corporation.



1319 WARNING LABEL

<b>WARNING</b>	
	Read and follow Operating Instructions before running engine.
	Gasoline is flammable. Allow engine to cool at least 2 minutes before refueling.
	Engines emit carbon monoxide, DO NOT run in enclosed area.
	Muffler area temperature may exceed 150°F. Do not touch hot parts.

**REQUIRED** when replacing parts with warning labels affixed.

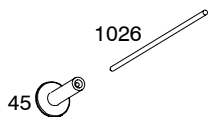
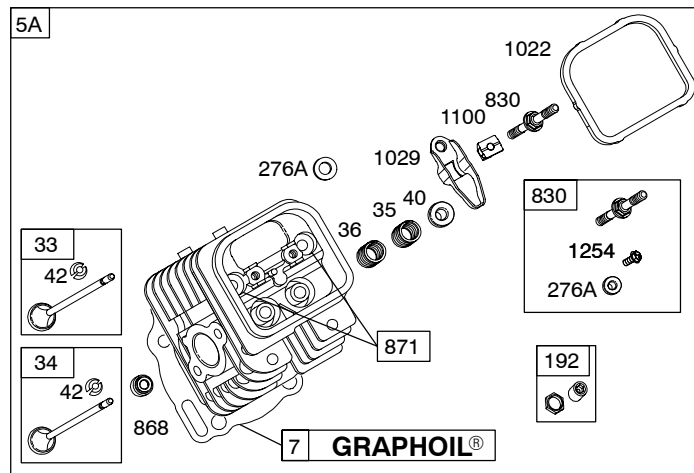
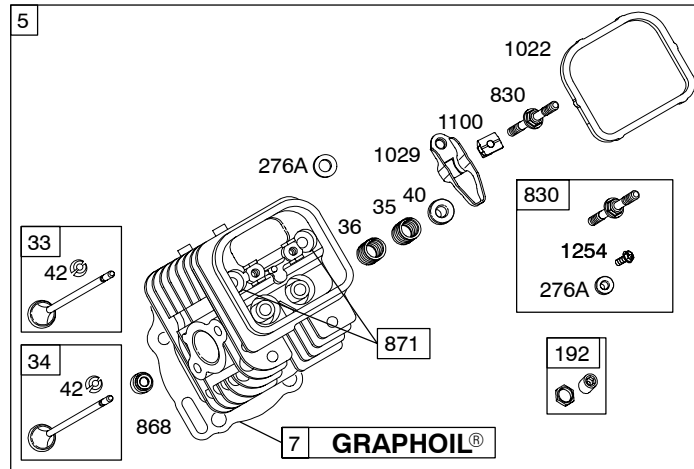
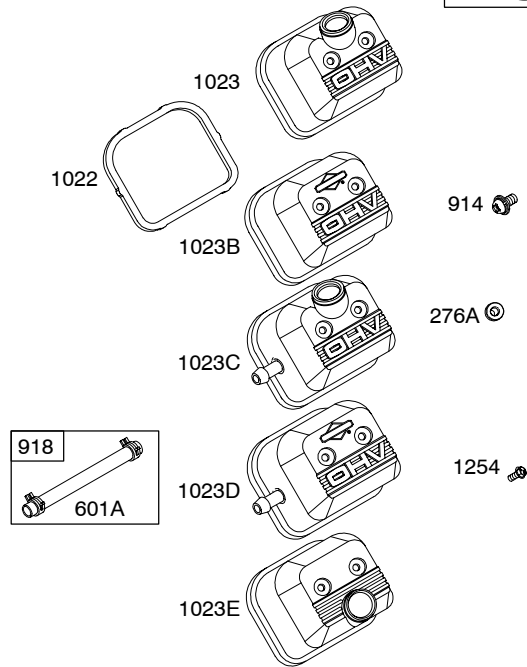
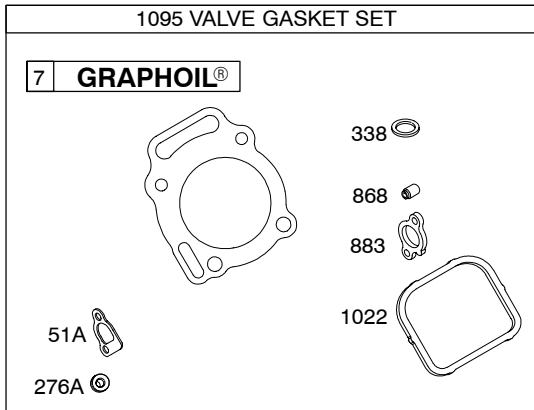


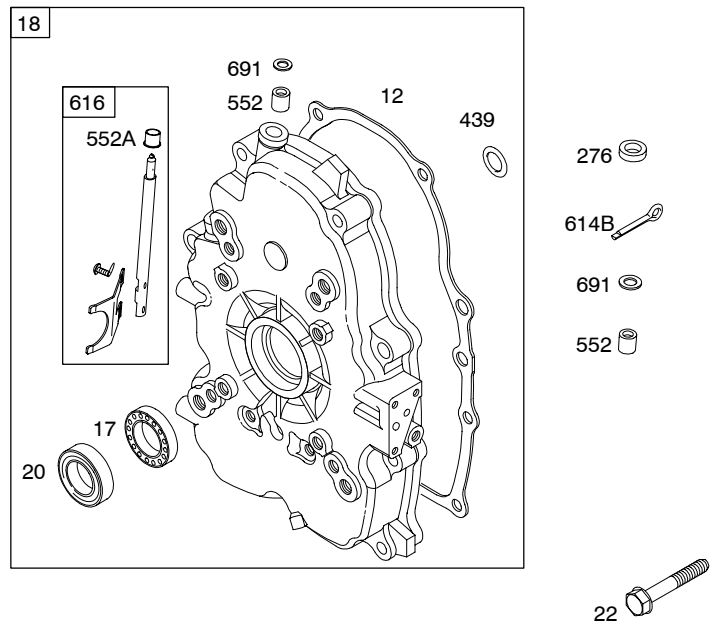
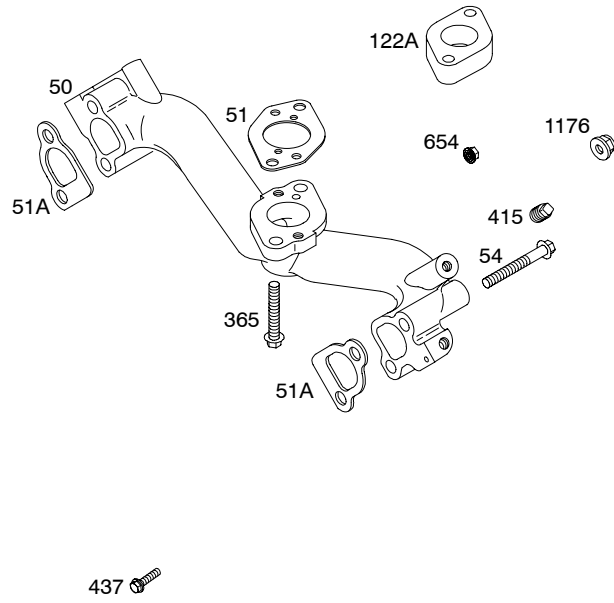
358A ENGINE GASKET SET

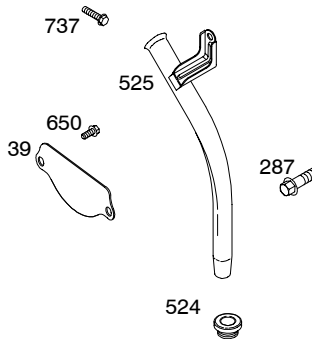
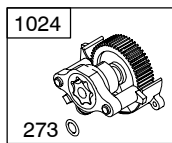
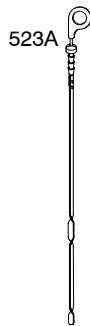
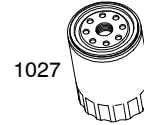
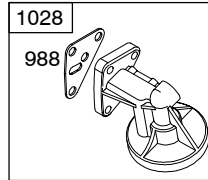
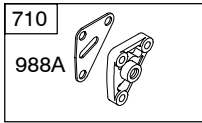
3		51		691	
7	<b>GRAPHOIL®</b>	51A		868	
9		163		883	
		273		988	
		276A		1022	
		338			
		439			
		468			
		524			

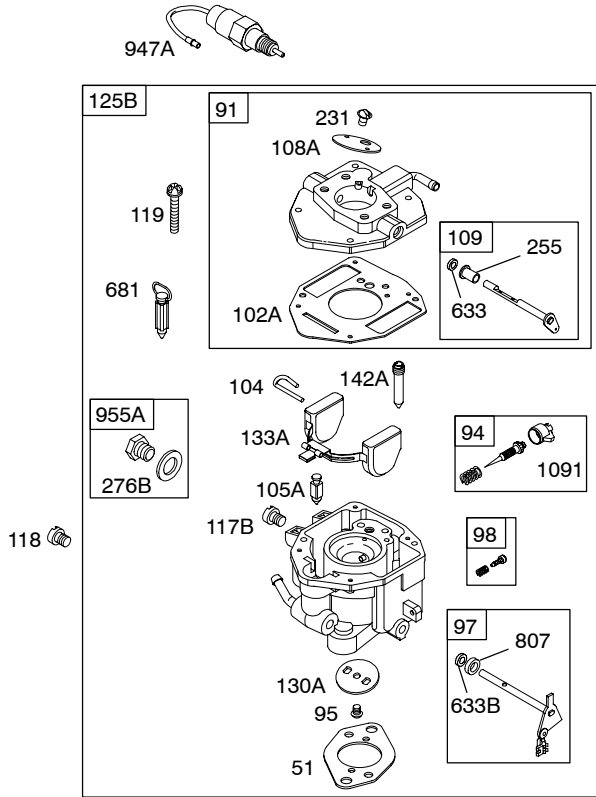
12

20

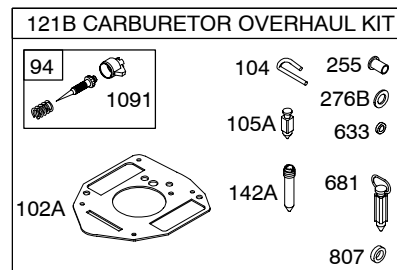
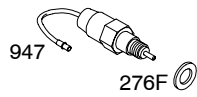


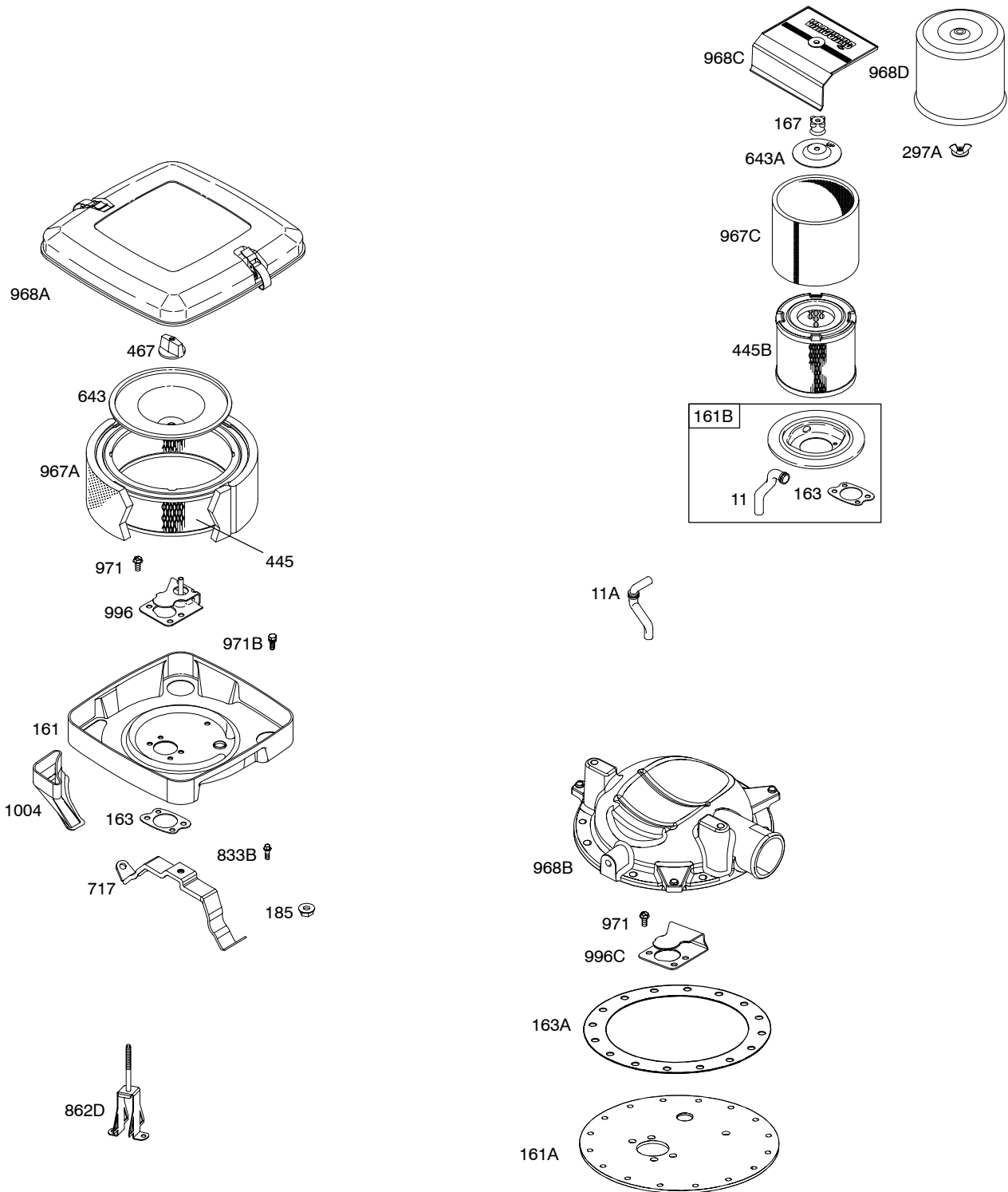


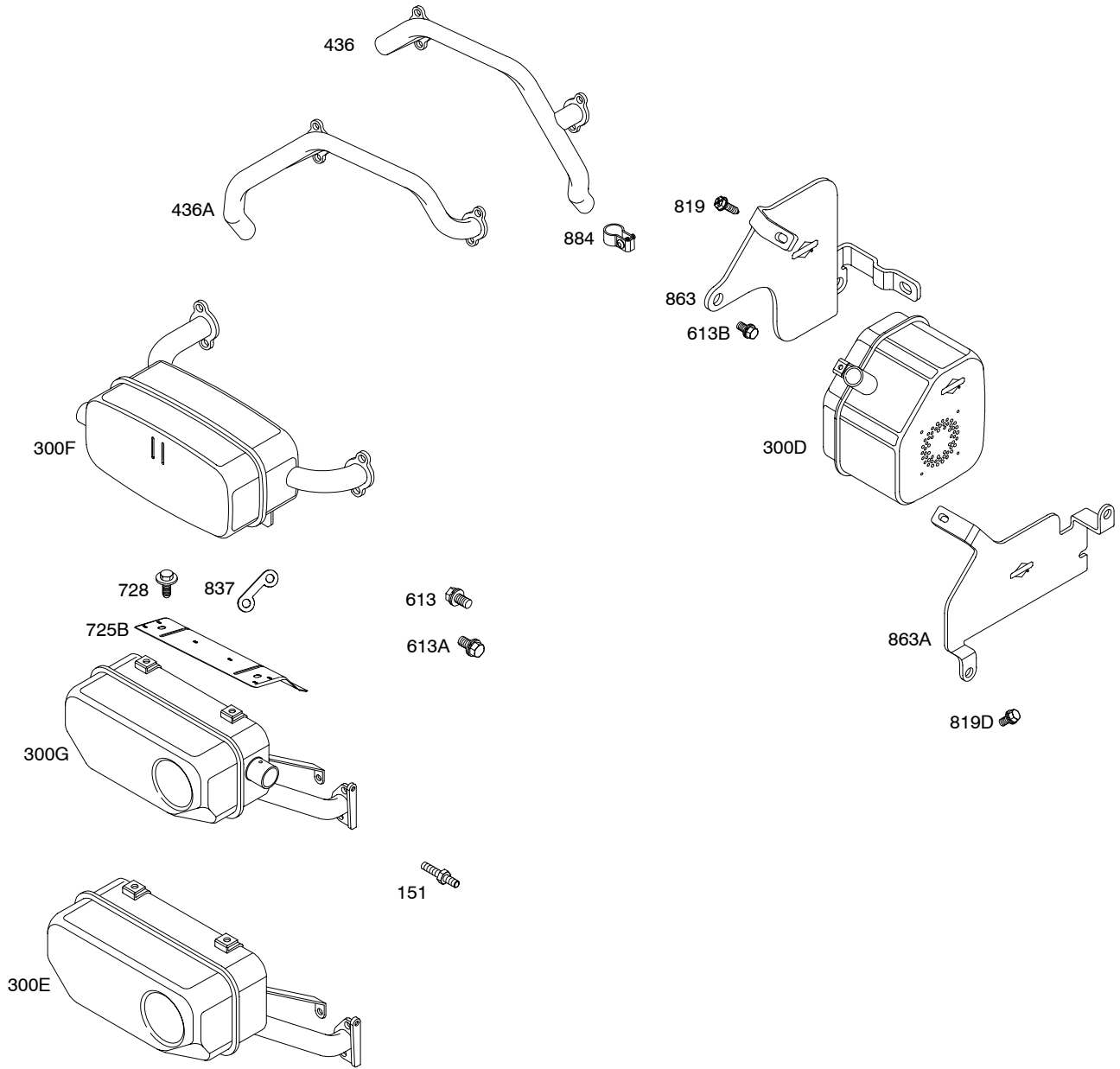




276C ©

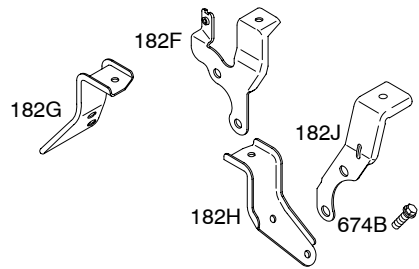
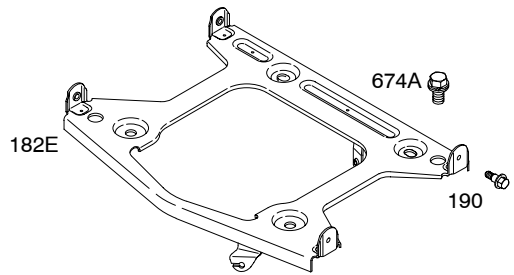
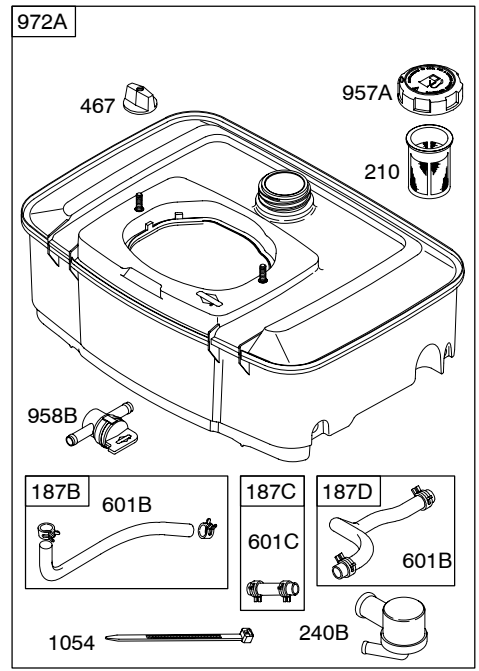
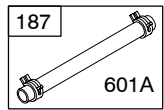
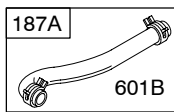
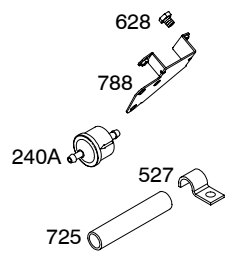
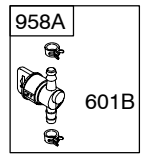
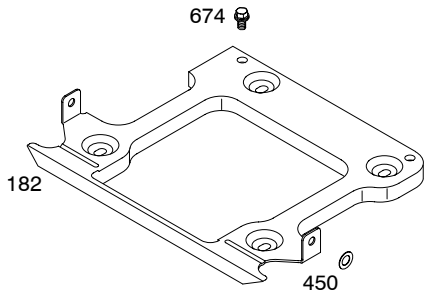


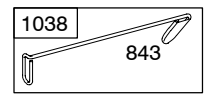
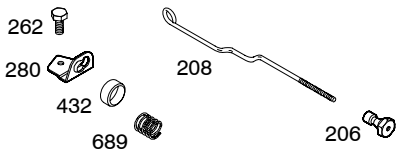
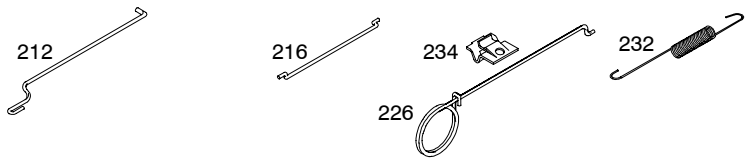
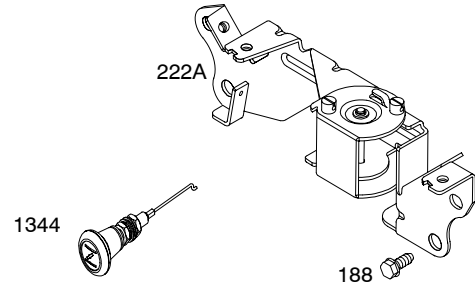
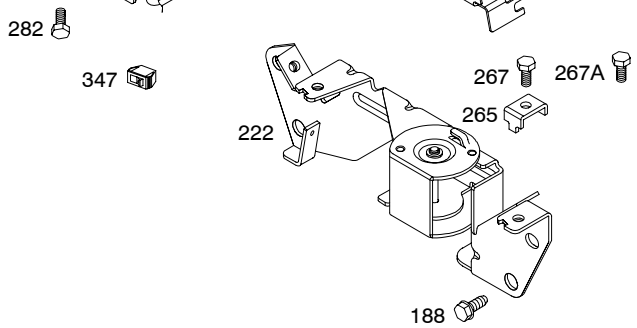
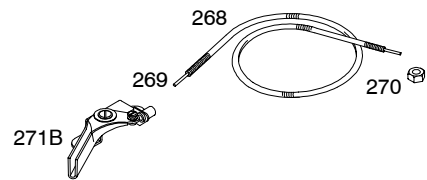
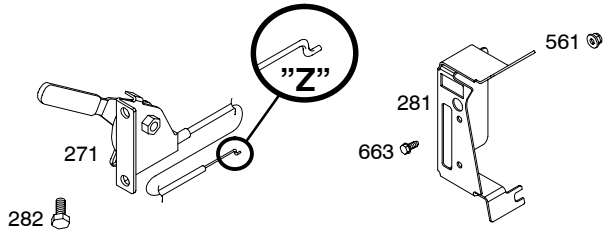
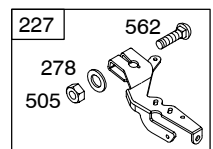
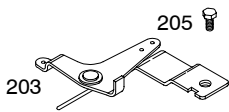


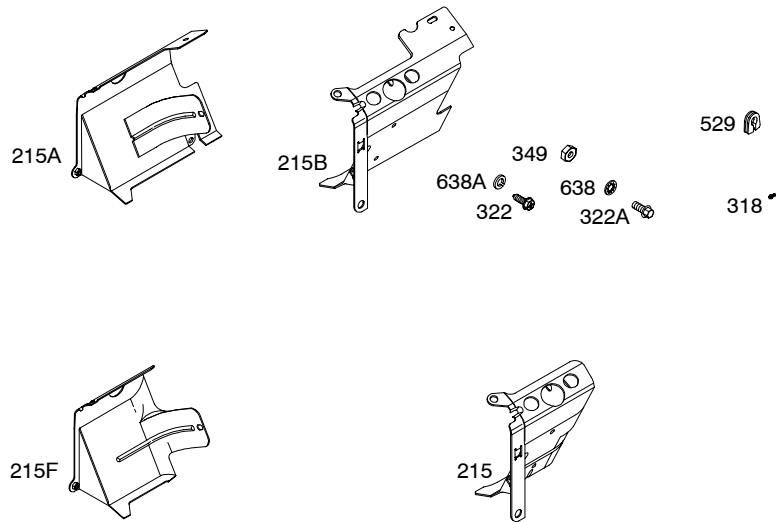
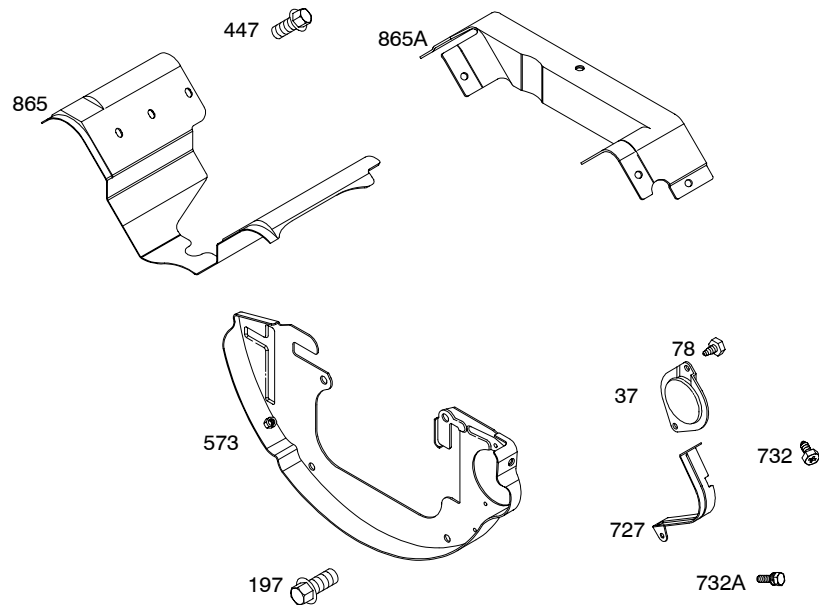




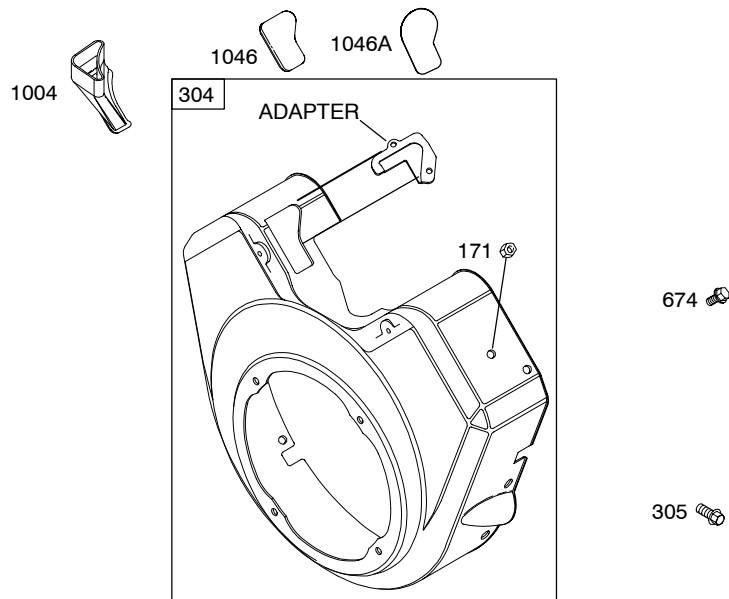
9 QUART



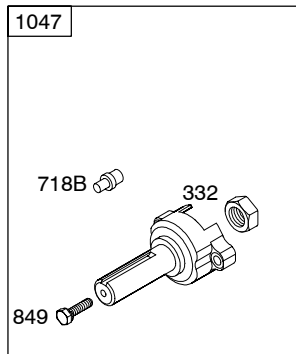
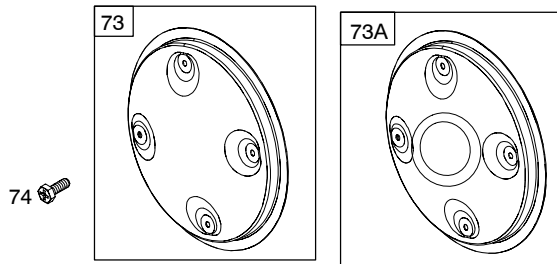
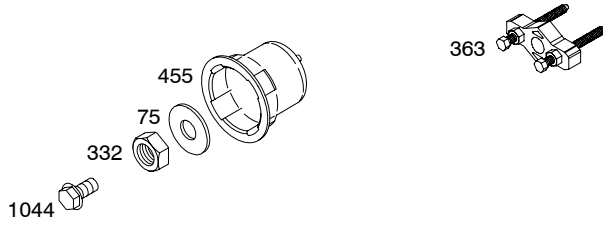
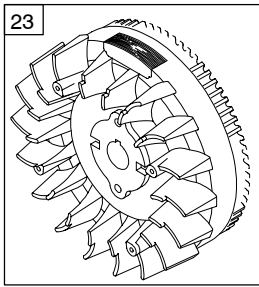


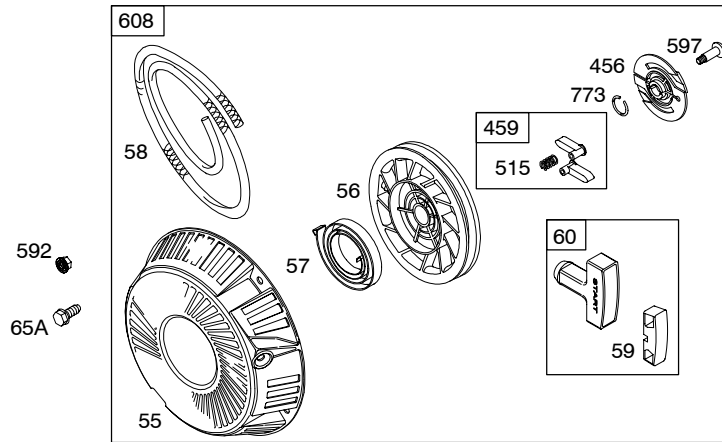


**METAL AIR CLEANER BASE**

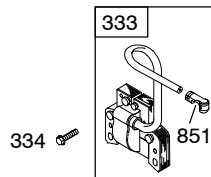
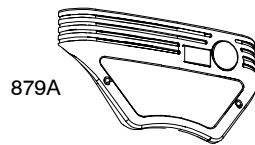
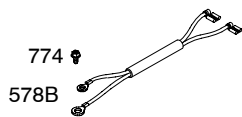
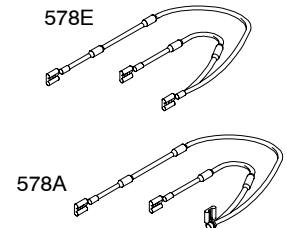
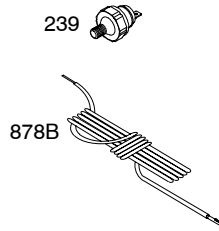
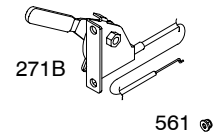
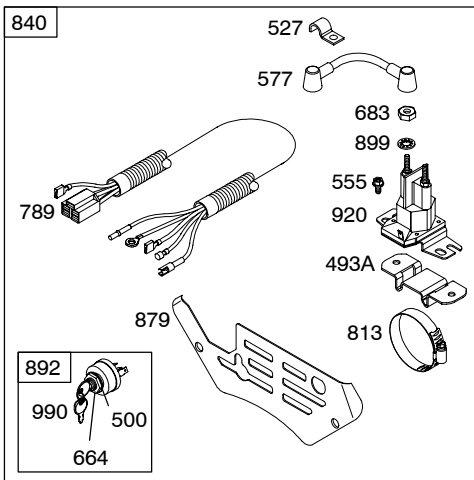
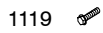


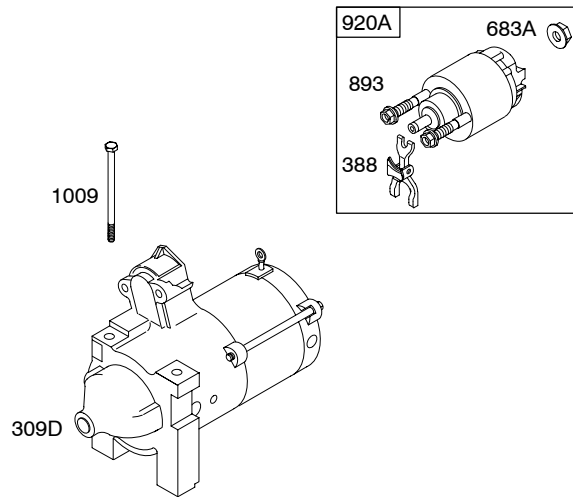
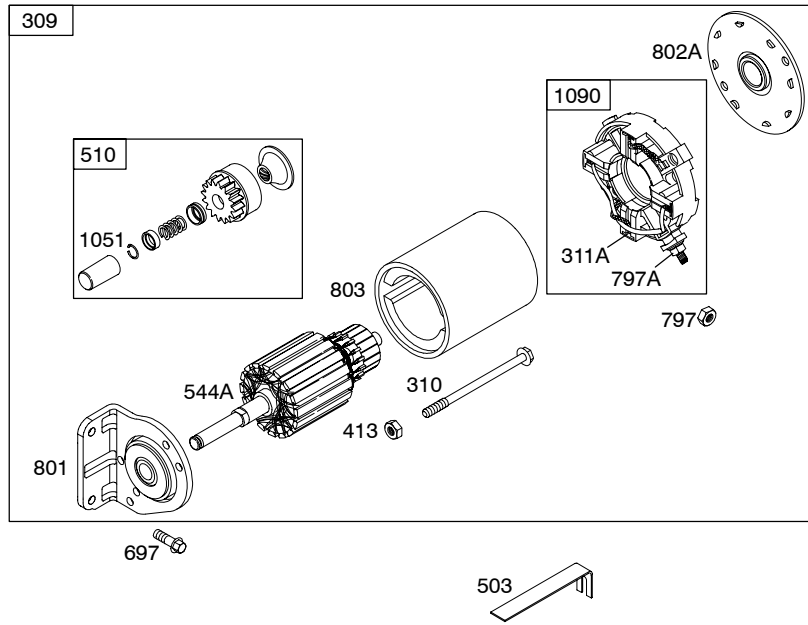
1036 EMISSIONS LABEL





DUAL CIRCUIT	10/16 AMP	20 AMP	20/50 AMP
<p>474B</p> <p>877</p> <p>1059</p>	<p>474D</p> <p>877C</p> <p>1059</p>	<p>474E</p> <p>877D</p> <p>1059</p>	<p>474F</p> <p>877D</p>
<p>878</p>	<p>578</p>		







REF. NO.	PART NO.	DESCRIPTION	REF. NO.	PART NO.	DESCRIPTION	REF. NO.	PART NO.	DESCRIPTION
1	692178	Cylinder Assembly ----- <b>Note</b> ----- <b>841081</b> Cylinder Assembly Used on Type No(s). 0116, 0117. <b>843583</b> Cylinder Assembly Used on Type No(s). 0142.	23	841908	Flywheel ----- <b>Note</b> ----- <b>841825</b> Flywheel Used on Type No(s). 0110, 0111, 0116, 0117, 0118, 0123, 0126, 0128, 0132, 0139. <b>841657</b> Flywheel Used on Type No(s). 0119. <b>842514</b> Flywheel Used on Type No(s). 0141. <b>842515</b> Flywheel Used on Type No(s). 0142.	37	841309	Guard-Flywheel
2	808534	Kit-Bushing/Seal (Magneto Side)				39	690745	Deflector-Oil
3	805101S	Seal-Oil (Magneto Side)				40	692058	Retainer-Valve
5	809200	Head-Cylinder (Cylinder 1)				42	807683	Keeper-Valve
5A	809201	Head-Cylinder (Cylinder 2)				45	843379	Tappet-Valve
7	806085S	Gasket-Cylinder Head				46	691557	Camshaft
8	808984	Breather Assembly				50	690754	Manifold-Intake
9	809094	Gasket-Breather				51	691694	Gasket-Intake (Manifold To Carburetor)
10	690751	Screw (Breather Assembly)				51A	692035	Gasket-Intake
11	691556	Tube-Breather				54	690676	Screw (Intake Manifold)
11A	806083S	Tube-Breather				55	691568	Housing-Rewind Starter
12	842589	Gasket-Crankcase	25	807619	Piston Assembly ----- <b>Note</b> ----- <b>807809</b> Piston Assembly (.020" Oversize)	56	692085	Pulley-Starter
13	692059	Screw (Cylinder Head)				57	692086	Spring-Rewind Starter
15	690946	Plug-Oil Drain				58	66574	Rope-Starter
16	692161	Crankshaft ----- <b>Note</b> ----- <b>692163</b> Crankshaft Used on Type No(s). 0111, 0112, 0126. <b>808740</b> Crankshaft Used on Type No(s). 0118. <b>808975</b> Crankshaft Used on Type No(s). 0142.	26	807620	Ring Set ----- <b>Note</b> ----- <b>807810</b> Ring Set (.020" Oversize)	59	805957	Insert-Grip
						60	808167	Grip-Starter Rope
			27	690683	Lock-Piston Pin	65A	841233	Screw (Rewind Starter)
			28	807621	Pin-Piston	73	841440	Screen-Rotating Used on Type No(s). 0132.
			29	807900S	Rod-Connecting ----- <b>Note</b> ----- <b>807803</b> Rod- Connecting (.020" Undersize)	73A	841662	Screen-Rotating
						74	841441	Screw (Rotating Screen)
			32	690698	Screw (Connecting Rod)	75	691490	Washer (Flywheel)
			33	807681	Valve-Exhaust	78	690688	Screw (Flywheel Guard)
			34	807680	Valve-Intake	91	807919	Body-Upper Carburetor ----- <b>Note</b> ----- <b>842236</b> Body-Upper Carburetor
			35	692084	Spring-Valve (Intake)			
			36	692084	Spring-Valve (Exhaust)			
17	690752	Bearing-Ball						
18	808847	Cover-Crankcase						
20	805049S	Seal-Oil (PTO Side)						
21	809500	Cap-Oil Fill						
22	807362	Screw (Crankcase Cover/Sump)						

Engine Gasket Set-Reference 358A  
Carburetor Overhaul Kit-Reference 121B

Valve Gasket Set-Reference 1095

# 295400

REF. NO.	PART NO.	DESCRIPTION	REF. NO.	PART NO.	DESCRIPTION	REF. NO.	PART NO.	DESCRIPTION
94	842870	Kit-Idle Mixture (Used After Code Date 06103100). ----- <b>Note</b> ----- 808257 Kit-Idle Mixture (Used Before Code Date 06110100).	121B	809021	Kit-Carburetor Overhaul	187	791766	Line-Fuel (Cut to Required Length)
95	690718	Screw (Throttle Valve)	122A	690691	Spacer-Carburetor	187A	791801	Line-Fuel (Formed)
97	809007	Shaft-Throttle	125B	809010	Carburetor ----- <b>Note</b> ----- 809008 Carburetor Used on Type No(s). 0111, 0112, 0117, 0118, 0119, 0123, 0140, 0141.	187B	692107	Line-Fuel (Formed)
98	808177	Kit-Idle Speed			842235 Carburetor Used on Type No(s). 0142.	187C	692106	Line-Fuel (Straight)
102A	692077	Gasket-Carburetor Body				187D	692108	Line-Fuel (Formed)
104	690723	Pin-Float Hinge	130A	690726	Valve-Throttle	188	692056	Screw (Control Bracket)
105A	805620	Valve-Float Needle	133A	806961	Float-Carburetor	190	692199	Screw (Fuel Tank)
108A	690719	Valve-Choke	142A	690725	Nozzle-Carburetor (Standard)	192	807623	Adjuster-Rocker Arm
109	809096	Shaft-Choke			----- <b>Note</b> ----- 842240 Nozzle- Carburetor Used on Type No(s). 0142.	197	807163	Screw (Back Plate)
117B	806652	Jet-Main (Standard) ----- <b>Note</b> ----- 842238 Jet-Main (Standard) Used on Type No(s). 0142.				203	690923	Crank-Bell
			146	691639	Key-Timing	205	692083	Screw (Bell Crank)
118	842238	Jet-Main (High Altitude) ----- <b>Note</b> ----- 842841 Jet-Main (High Altitude) (5000 Feet) Used on Type No(s). 0142. 842318 Jet-Main (High Altitude) (6500 Feet) Used on Type No(s). 0142. 842842 Jet-Main (High Altitude) (10,000 Feet) Used on Type No(s). 0142.	151	841185	Stud (Exhaust Manifold)			
			161	691561	Base-Air Cleaner			
			161A	841824	Base-Air Cleaner Used on Type No(s). 0142.			
			161B	808414	Base-Air Cleaner Used on Type No(s). 0113, 0116, 0130.			
			163	692081	Gasket-Air Cleaner			
			163A	841823	Gasket-Air Cleaner Used on Type No(s). 0142.			
			167	692297	Seal-Air Cleaner Nut			
			171	810056	Nut (Air Cleaner)			
			182	691523	Bracket-Fuel Tank			
119	690720	Screw (Upper To Lower Carburetor Body) ----- <b>Note</b> ----- 842761 Screw (Upper to Lower Carburetor Body)	182E	841601	Bracket-Fuel Tank			
			182F	691520	Bracket-Fuel Tank			
			182G	841600	Bracket-Fuel Tank			
			182H	691524	Bracket-Fuel Tank			
			182J	691525	Bracket-Fuel Tank			
			185	690939	Nut (Air Cleaner Base)			

Engine Gasket Set-Reference 358A  
Carburetor Overhaul Kit-Reference 121B

Valve Gasket Set-Reference 1095

REF. NO.	PART NO.	DESCRIPTION	REF. NO.	PART NO.	DESCRIPTION	REF. NO.	PART NO.	DESCRIPTION
206	691244	Nut-Governor Adjusting	212	690712	Link-Throttle	276F	693497	Washer-Sealing Used on Type No(s). 0142.
208	691549	Rod-Governor Control	215	841232	Guide-Air (Cylinder 1)(Black)	278	842122	Washer (Governor Control Lever)
209	692070	Spring-Governor ----- <b>Note</b> ----- 691507 Spring-Governor Used on Type No(s). 0118, 0123, 0132. 690710 Spring-Governor Used on Type No(s). 0130. 691506 Spring-Governor Used on Type No(s). 0126. 691508 Spring-Governor Used on Type No(s). 0138. 692072 Spring-Governor Used on Type No(s). 0139. 806507 Spring-Governor Used on Type No(s). 0141. 690716 Spring-Governor Used on Type No(s). 0142.	215A	841316	Guide-Air (Cylinder 2)(Black)	280	691526	Bracket-Rod
			215B	841317	Guide-Air (Cylinder 1)(Black)	281	690742	Panel-Control
			215F	841182	Guide-Air (Cylinder 2)(Black)	282	692083	Screw (Control Lever)
			216	690705	Link-Choke	287	692062	Screw (Dipstick Tube)
			222	808454	Bracket-Control	297A	691331	Nut (Air Filter Retainer)
			222A	691570	Bracket-Control Used on Type No(s). 0142.	300D	692099	Muffler
			226	692075	Rod-Hand Choke	300E	690906	Muffler Used on Type No(s). 0139, 0140.
			227	690236	Lever-Governor Control	300F	690931	Muffler Used on Type No(s). 0132, 0135.
			231	692056	Screw (Choke Valve)	300G	692464	Muffler Used on Type No(s). 0118.
			232	692073	Spring-Governor Link	304	842681	Housing-Blower ----- <b>Note</b> ----- 841658 Housing-Blower Used on Type No(s). 0141.
			234	691723	Clip-Control Rod	305	841233	Screw (Blower Housing)
			239	690233	Switch-Oil Pressure	309	691564	Motor-Starter
			240A	691035	Filter-Fuel	309D	808817	Motor-Starter Used on Type No(s). 0116, 0117.
			240B	808116S	Filter-Fuel	310	496880	Screw (Starter Motor)
			255	690721	Bushing-Choke Shaft	311A	497608	Brush Set
			262	692083	Screw (Rod Bracket)	318	841233	Screw (Mounting Bracket)
			265	691024	Clamp-Casing	322	841233	Screw (Cylinder Head Cover)
			267	692083	Screw (Casing Clamp) (M5x20)	322A	692067	Screw (Cylinder Head Cover)
			267A	841552	Screw (Casing Clamp) (M5x12)	332	690887	Nut (Flywheel)
			268	691025	Casing-Control Wire (Cut To Required Length)	333	492341	Armature-Magneto
			269	691026	Wire-Control (Cut To Required Length)	334	692066	Screw (Magneto Armature)
			270	691027	Nut (Control Wire Casing)			
			271	692541	Lever-Control			
			271B	691028	Lever-Control			
			273	690681	Seal-O Ring (Oil Pump)			
			276	690704	Washer-Sealing (Governor Crank)			
			276A	807085	Washer-Sealing (Rocker Cover)			
			276B	690724	Washer-Sealing (Carburetor Plug)			
			276C	806137	Washer-Sealing (Solenoid)			
209A	690709	Spring-Governor Used on Type No(s). 0111, 0112.						
210	691370	Strainer-Fuel						
211	692069	Spring-Governed Idle ----- <b>Note</b> ----- 691505 Spring-Governed Idle Used on Type No(s). 0118, 0142. 691553 Spring-Governed Idle Used on Type No(s). 0141.						
211A	690707	Spring-Governed Idle Used on Type No(s). 0111, 0112. ----- <b>Note</b> ----- 692068 Spring-Governed Idle Used on Type No(s). 0126.						

Engine Gasket Set-Reference 358A  
Carburetor Overhaul Kit-Reference 121B

Valve Gasket Set-Reference 1095

# 295400

REF. NO.	PART NO.	DESCRIPTION	REF. NO.	PART NO.	DESCRIPTION	REF. NO.	PART NO.	DESCRIPTION
337	491055S	Plug-Spark ----- <b>Note</b> ----- <b>792015</b> Plug-Spark Used on Type No(s). 0110, 0111, 0112, 0113, 0116, 0117, 0119, 0126, 0130, 0132, 0139. <b>496018S</b> Plug-Spark Used on Type No(s). 0142.	474B	696459	Alternator (Dual Circuit) Used on Type No(s). 0119.	552	690701	Bushing-Governor Crank
338	691312	Gasket-Dipstick	474D	696458	Alternator (10-16 Amp Regulated)	552A	806686	Bushing-Governor Crank
347	691995	Switch-Rocker	474E	696579	Alternator Used on Type No(s). 0141.	555	692067	Screw (Starter Solenoid)
349	690238	Nut (Cylinder Head Cover)	474F	841178	Alternator Used on Type No(s). 0142.	561	690713	Nut (Control Lever)
356	690796	Wire-Stop	479	807084	Screw (Oil Pump Screen)	562	690239	Bolt (Governor Control Lever)
356E	691999	Wire-Stop	493A	691177	Bracket-Mounting	565	690682	Stud (Oil Filter Adapter)
357	691483	Key-Drive Pulley	500	691086	Washer (Key Switch)	572	690686	Baffle-Breather
358A	842722	Gasket Set-Engine	501	691185	Regulator	573	841310	Plate-Back ----- <b>Note</b> ----- <b>841127</b> Plate-Back Used on Type No(s). 0116, 0117.
359	691077	Washer (Ground Terminal)	501B	841170	Regulator Used on Type No(s). 0142.			<b>841314</b> Plate-Back Used on Type No(s). 0142.
363	19203	Puller-Flywheel			----- <b>Note</b> ----- <b>691573</b> Regulator Used on Type No(s). 0141.	577	690795	Cable-Starter
365	690711	Screw (Carburetor)	503	691532	Strap-Starter	578	692306	Wire Assembly
373	691612	Nut (Ground Terminal)	505	690238	Nut (Governor Control Lever)	578A	692319	Wire Assembly
377	808095	Key-Woodruff	506	807120	Screw (Carburetor Cover)	578B	690809	Wire Assembly
385	807084	Screw (Fuel Pump)	507	691972	Insulator	592	690939	Nut (Rewind Starter)
387	808656	Pump-Fuel	510	496881	Drive-Starter	596	691492	Screw (Oil Pump)
388	820799	Lever-Pinion Drive	515	691528	Spring-Pawl	597	690876	Screw (Pawl Friction Plate)
413	693587	Nut (Starter Motor)	520	691084	Terminal-Ground	598	807625	Shim-End Play (Crankshaft or Camshaft Bearing)
415	690283	Plug	523A	693175	Dipstick	601A	691038	Clamp-Hose
432	691509	Cap-Spring	524	693172	Seal-Dipstick Tube	601B	791850	Clamp-Hose
436	692061	Manifold-Exhaust	525	693174	Tube-Dipstick	601C	691522	Clamp-Hose
437	691902	Screw (Exhaust Manifold)	526	692067	Screw (Regulator)	608	841729	Starter-Rewind
439	692154	Seal-O Ring (Crankcase Cover/Sump)	526B	691547	Screw (Regulator) Used on Type No(s). 0141, 0142.	613	691902	Screw (Muffler)
445	394018S	Filter-Air Cleaner Cartridge			527	690423	Clamp-Tube	
445B	393957S	Filter-Air Cleaner Cartridge			529	690744	Grommet	
447	841233	Screw (Air Guide Cover)			529A	691527	Grommet	
450	806497	Washer (Fuel Tank Bracket)			544A		Armature-Starter (For Replacement Armature, Order Reference 309)	
455	841794	Cup-Flywheel						
456	691529	Plate-Pawl Friction						
459	808166	Pawl-Ratchet						
467	691985	Knob-Air Cleaner						
468	690690	Seal-O Ring (Oil Pump Screen)						
						613A	692328	Screw (Muffler)
						613B	692067	Screw (Muffler)
						615B	691550	Retainer-Governor Shaft
						616	806685	Crank-Governor
						628	806660	Screw (Fuel Pump Bracket)

Engine Gasket Set-Reference 358A  
Carburetor Overhaul Kit-Reference 121B

Valve Gasket Set-Reference 1095

REF. NO.	PART NO.	DESCRIPTION	REF. NO.	PART NO.	DESCRIPTION	REF. NO.	PART NO.	DESCRIPTION
633	690722	Seal-Choke/Throttle Shaft	741	691530	Gear-Timing	878	398661	Harness-Alternator
633B	806131	Seal-Choke/Throttle Shaft (Throttle)	773	690875	Retainer	878B	691362	Harness-Alternator Used on Type No(s). 0141.
635	692076	Boot-Spark Plug	774	692067	Screw (Stop Wire)	879	842829	Cover-Carburetor ----- <b>Note</b> -----
638	691551	Washer (Cylinder Head Cover)	788	691559	Bracket-Fuel Pump			<b>842123</b> Cover-Carburetor Used on Type No(s). 0116, 0130, 0139.
638A	690706	Washer (Cylinder Head Cover)	789	691996	Harness-Wiring ----- <b>Note</b> -----	879A	807460	Cover-Carburetor ----- <b>Note</b> -----
643	692079	Retainer-Air Filter			<b>841318</b> Harness-Wiring Used on Type No(s). 0116, 0117.			<b>842124</b> Cover-Carburetor Used on Type No(s). 0110, 0111, 0117, 0118, 0128.
643A	690447	Retainer-Air Filter Used on Type No(s). 0113, 0116, 0130, 0139.	797	691029	Nut (Brush Retainer)			<b>842127</b> Cover-Carburetor Used on Type No(s). 0112, 0140.
650	841233	Screw (Oil Deflector)	797A	693167	Nut (Brush Retainer)	883	691613	Gasket-Exhaust
654	690939	Nut (Carburetor)	801	808778	Cap-Drive	884	690898	Clamp-Muffler
663	692083	Screw (Control Panel)	802A	691286	Cap-End	892	692318	Switch-Key
664	691087	Nut (Key Switch)	803	690854	Housing-Starter	893	820805	Nut (Starter Solenoid)
674	692056	Screw (Fuel Tank Bracket)	807	805557	Spacer-Throttle	899	691077	Washer (Starter Solenoid)
674A	94536	Screw (Fuel Tank Bracket)	813	690635	Clamp	914	807120	Screw (Rocker Cover)
674B	692062	Screw (Fuel Tank Bracket)	816	690706	Washer (Oil Filter Adapter)	918	393815	Hose-Vacuum
681	808798	Kit-Needle/Seat	819	692056	Screw (Muffler Bracket)	920	691656	Solenoid-Starter
683	691029	Nut (Starter Solenoid)	819D	692062	Screw (Muffler Bracket)	920A	825418	Solenoid-Starter
683A	820809	Nut (Starter Solenoid)	830	809157	Stud-Rocker Arm	947	842239	Solenoid-Fuel Used on Type No(s). 0142.
689	691272	Spring-Friction	833B	691593	Screw (Air Cleaner Mounting Strap/Stud)	947A	692094	Solenoid-Fuel Plug-Carburetor
691	690680	Seal-Governor Shaft	837	808085	Spacer-Muffler	955A	807723	Plug-Carburetor
697	692062	Screw (Drive Cap)	840	842828	Kit-Panel	957A	493988S	Cap-Fuel Tank
710	807689	Cover-Oil Filter	843	691322	Sleeve-Lever	958A	698183	Valve-Fuel Shut Off Used on Type No(s). 0119.
717	692153	Bracket-Air Cleaner	851	493880S	Terminal-Spark Plug	958B	692008	Valve-Fuel Shut Off
718	806469	Pin-Locating	852D	691565	Strap/Stud-Air Cleaner Mounting Used on Type No(s). 0113, 0116, 0130, 0139.	967A	272490S	Filter-Pre Cleaner
725	280866	Shield-Heat	863	691513	Bracket-Muffler	967C	271794S	Filter-Pre Cleaner Used on Type No(s). 0113, 0116, 0130, 0139.
725B	691498	Shield-Heat	865	807119	Cover-Air Guide	968A	699959	Cover-Air Cleaner
727	841313	Cover-Starter Drive	865A	841319	Cover-Air Guide	968B	841822	Cover-Air Cleaner Used on Type No(s). 0142.
728	691514	Screw (Heat Shield)	868	691963	Seal-Valve			
729	690586	Clip-Wire	871	692057	Bushing-Valve Guide			
732	690688	Screw (Starter Drive Cover)	877	393456	Wire/Connector-Alternator Used on Type No(s). 0119.			
732A	841233	Screw (Starter Drive Cover)	877C	399916	Wire/Connector-Alternator			
737	690679	Screw (Oil Filter Adapter)	877D	698092	Wire/Connector-Alternator			

Engine Gasket Set-Reference 358A  
Carburetor Overhaul Kit-Reference 121B

Valve Gasket Set-Reference 1095

# 295400

REF. NO.	PART NO.	DESCRIPTION	REF. NO.	PART NO.	DESCRIPTION	REF. NO.	PART NO.	DESCRIPTION
968C	691910	Cover-Air Cleaner	1023	690758	Cover-Rocker Used on Type No(s). 0140.	1028	808235	Adapter-Oil Filter
968D	691755	Cover-Air Cleaner				1029	807323	Arm-Rocker
971	807084	Screw (Air Cleaner Base to Carburetor)	1023B	691494	Cover-Rocker	1036		Label-Emissions (Available from a Briggs & Stratton Dealer)
971B	690699	Screw (Air Cleaner Base to Carburetor)	1023C	690910	Cover-Rocker (Cylinder 1) (With Fuel Pump)	1038	691567	Rod-Fuel Shut Off
972A	690663	Tank-Fuel (9 Quart) Used on Type No(s). 0110, 0113, 0116, 0128, 0130, 0134.	1023D	691558	Cover-Rocker (Used On Cylinder 1 Fuel Pump Applications)	1044	692056	Screw (Flywheel)
988	692063	Gasket-Oil Adapter	1023E	691531	Cover-Rocker (Used On Engines Equipped With 9 Quart Fuel Tanks)	1046	692082	Plug-Blower Housing
988A	690687	Gasket-Oil Adapter	1024	693185	Pump-Oil	1047	841580	Shaft-Stub
990	691959	Key Set	1025	690689	Spool-Governor	1051	691124	Ring-Retaining
996	691577	Shield-Carburetor	1026	691836	Rod-Push (Intake)(Steel)	1054	280275	Tie-Cable
996C	841826	Shield-Carburetor			----- <b>Note</b> -----	1058	276343	Operator's Manual
1004	841656	Duct-Air			691758 Rod-Push (Exhaust)(Aluminum)	1059	698516	Kit-Screw/Washer
1009	806474	Screw (Starter Motor)	1027	842921	Filter-Oil	1090	691293	Retainer-Brush
1017	690900	Screen-Oil Pump				1091	691516	Cap-Limiter
1022	806039S	Gasket-Rocker Cover				1095	842723	Gasket Set-Valve
						1100	791959	Pivot-Rocker Arm
						1119	691552	Screw (Alternator)
						1176	842067	Nut (Exhaust Manifold)
						1254	807084	Screw (Rocker Cover Stud)
						1319	794467	Label-Warning
						1330	272144	Repair Manual
						1344	841129	Cable-Choke

Engine Gasket Set-Reference 358A  
Carburetor Overhaul Kit-Reference 121B

Valve Gasket Set-Reference 1095