

ONTARIO DRIVE AND GEAR 386447-0144-E1**Illustrated Parts List****Model Series****386447**

TYPE NUMBER

0144-E1.

ODG Parts Manual # 670-40-1

23 HP Engine

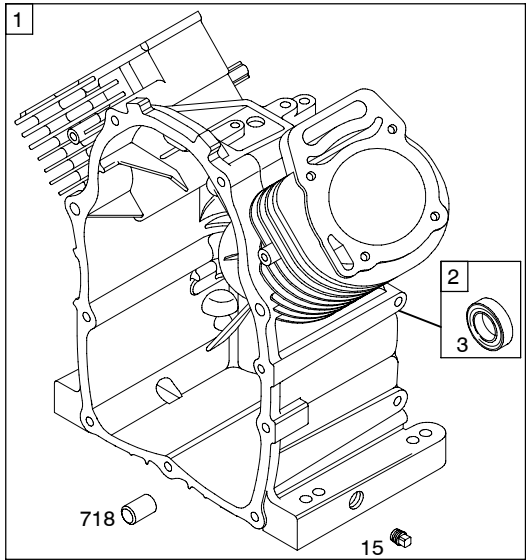
TO FIND**THE CORRECT NUMBER OF THE PART YOU NEED:
FOLLOW THE INSTRUCTIONS BELOW**

- A. Refer to Engine Model, Type and Code Number that is stamped on the blower housing of engine. Engine type numbers such as 0123 01 are listed only as 0123 in most instances. The two digits (01 or 02, etc.) to the right of the space may be required for more accurate parts identification in some instances. Select the Illustrated Parts List covering the correct Model Series and Type Number.
- B. Refer to the Illustrations and compare the original part with Illustration. The number next to the illustration is the Reference Number. Assemblies include all parts shown in frames. All parts shown in assembly frames having individual reference numbers can be purchased separately.
- C. After the Reference Number has been identified, refer to the Numerical text, where Reference and Primary Part Number are listed.

PRINTED IN U.S.A.

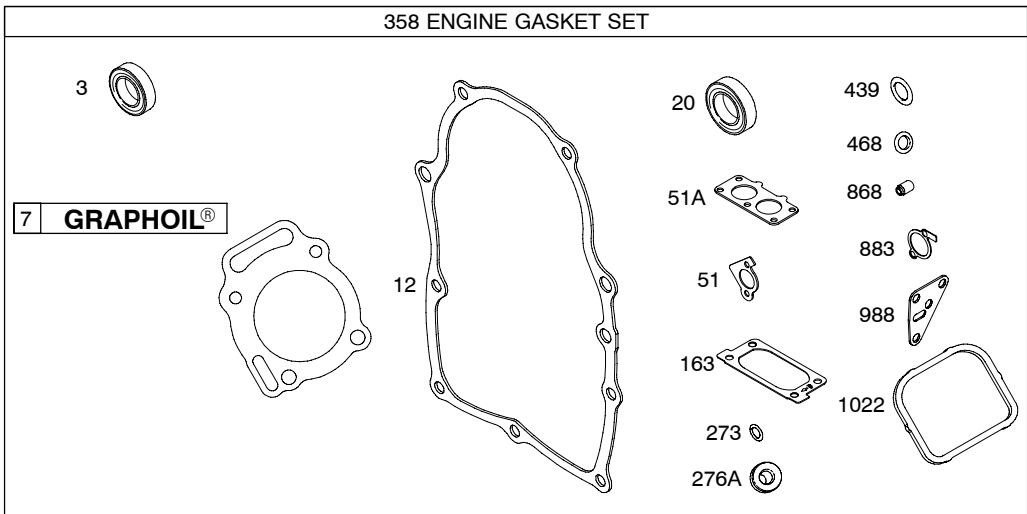
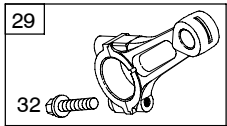
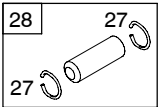
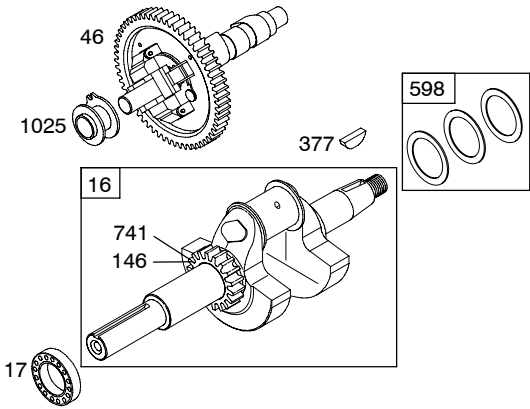
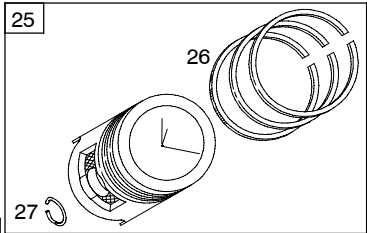


COPYRIGHT by BRIGGS & STRATTON CORPORATION
All rights reserved. No part of this material may be reproduced or transmitted, in any form or by any means, electronic or mechanical, including photocopying, recording or by any information storage and retrieval system, without permission in writing from Briggs & Stratton Corporation.



1058 OPERATOR'S MANUAL

1330 REPAIR MANUAL



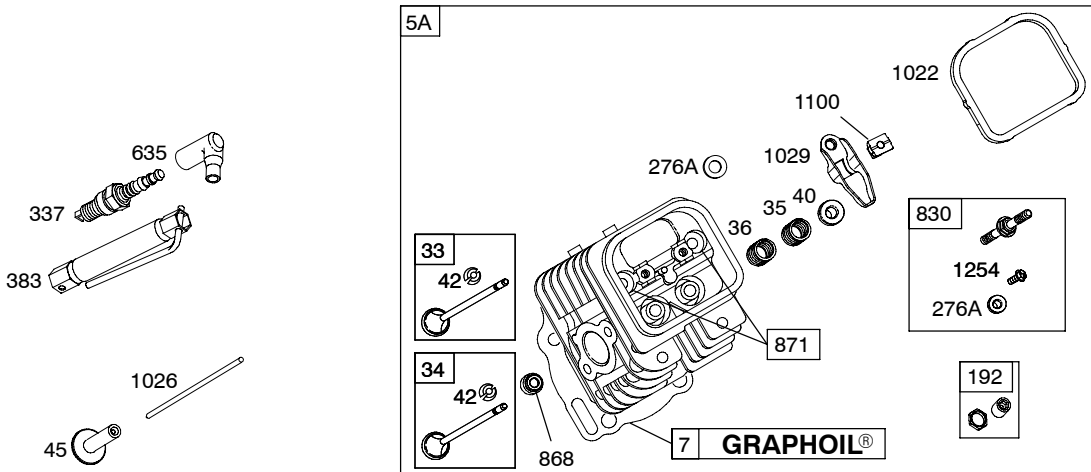
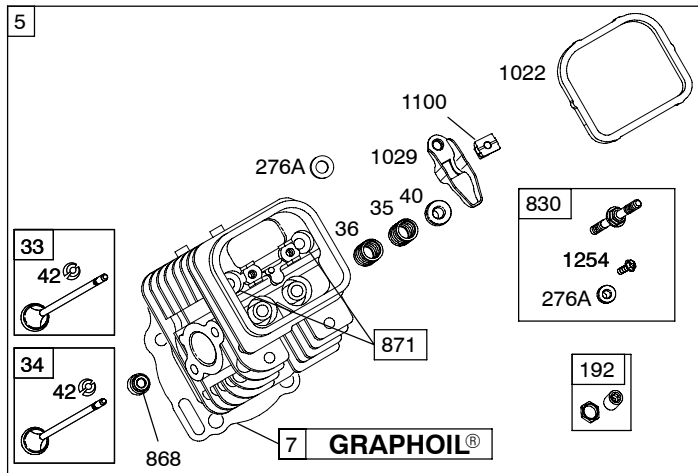
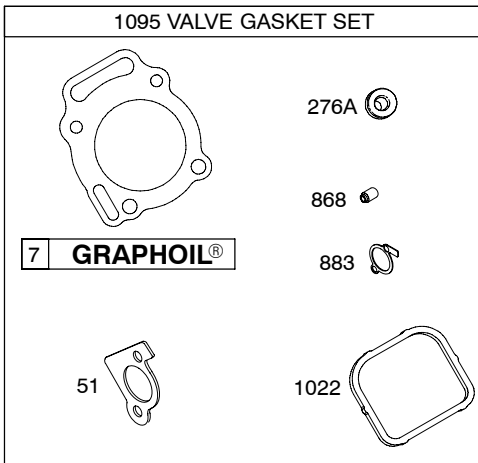
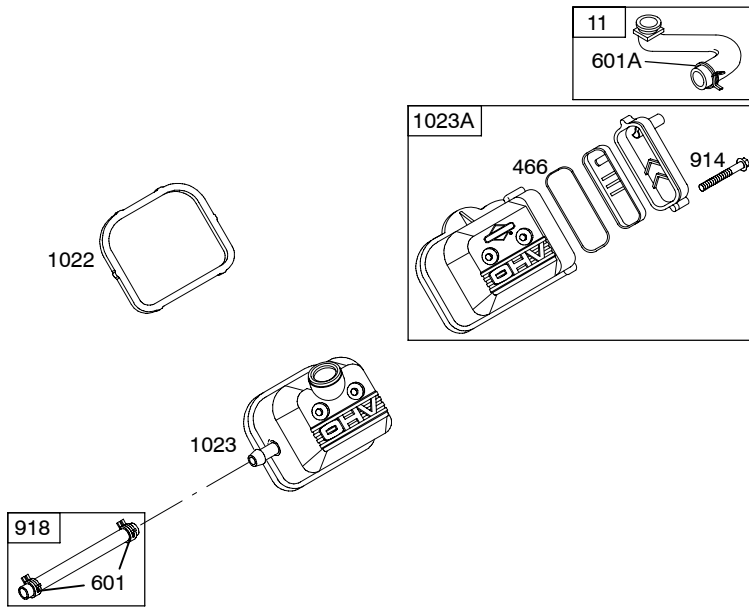
Assemblies include all parts shown in frames.

386447-0144-E1

REF. NO.	PART NO.	DESCRIPTION	REF. NO.	PART NO.	DESCRIPTION	REF. NO.	PART NO.	DESCRIPTION
1	842603	Cylinder Assembly	26	808528	Ring Set (Standard)	276A	★△807085	Washer-Sealing
2	808534	Kit-Bushing/Seal (Magneto Side)			----- Note -----	358	842658	Gasket Set-Engine
3	★805101s	Seal-Oil (Magneto Side)			808661 Ring Set (.020" Oversize)	377	808095	Key-Woodruff
7	★△842622	Cylinder Head Gasket	27	806378	Lock-Piston Pin	439	★692154	Seal-O-Ring (Crankcase Cover)
12	★842589	Gasket-Crankcase	28	808526	Pin-Piston	468	★690690	Seal-O Ring (Oil Pump Screen)
15	690946	Plug-Oil Drain	29	808646	Rod-Connecting (Standard)	598	807625	Shim-End Play
16	809826	Crankshaft	32	690698	Screw (Connecting Rod)	718	806469	Pin-Locating
17	690752	Bearing-Ball	46	690927	Camshaft	741	691530	Gear-Timing
20	★805049s	Seal-Oil (PTO Side)	51	★△806418	Gasket-Intake	868	★△691963	Seal-Valve
25	808527	Piston Assembly (Standard)	51A	★690950	Gasket-Intake	883	★△806425	Gasket-Exhaust
		----- Note -----	146	691639	Key-Timing	988	★692063	Gasket-Oil Adapter
		808652 Piston Assy. (.020" Oversize)	163	★692087	Gasket-Air Cleaner	1022★△806039s		Gasket-Rocker Cover
			273	★690681	Seal-O Ring (Oil Pump Screen)	1025	690689	Spool-Governor
						1058	MS3367	Operating Manual
						1330	272144	Repair Manual

★ Included in Gasket Set-See Ref. No. 358.
● Included in Carburetor Kit-See Ref. 121.

△ Included in Valve Overhaul Kit-See Ref. No. 1095.



386447-0144-E1

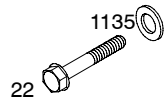
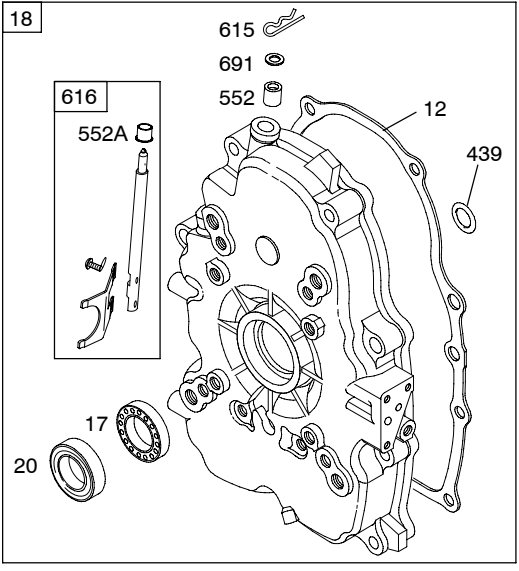
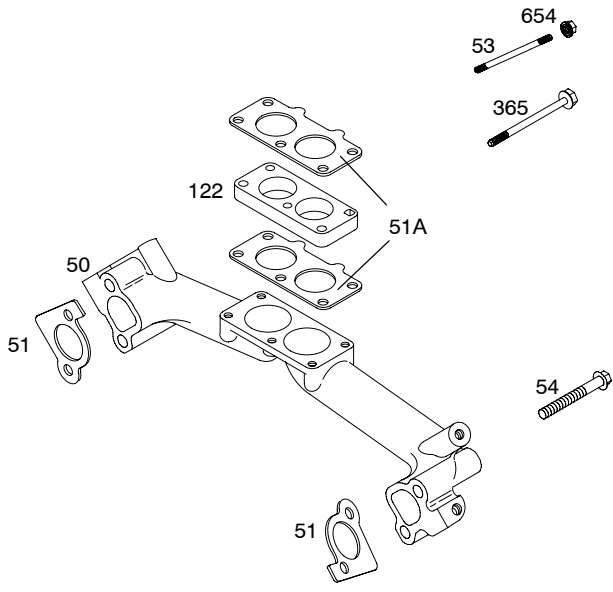
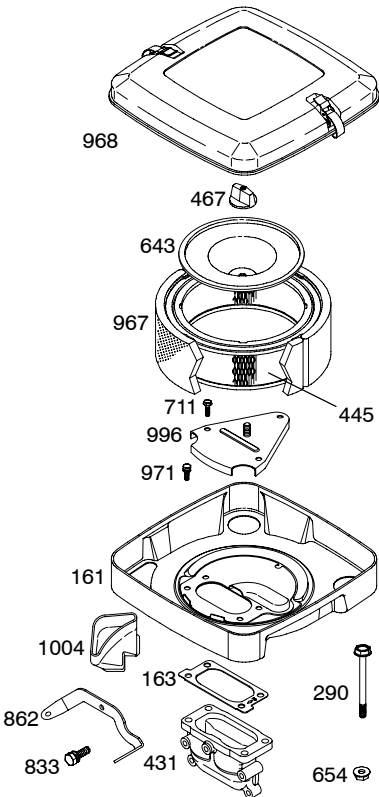
REF. NO.	PART NO.	DESCRIPTION	REF. NO.	PART NO.	DESCRIPTION	REF. NO.	PART NO.	DESCRIPTION
5	842656	Head-Cylinder (Cylinder #1)	192	807623	Adjuster-Rocker Arm	918	393815	Line-Vacuum (Cut to Required Length)
5A	842657	Head-Cylinder (Cylinder #2)	276A	★△807085	Washer-Sealing	1022★△806039s		Gasket-Rocker Cover
7	★△842622	Gasket-Cylinder Head	337	491055s	Plug-Spark	1023	690910	Cover-Rocker
11	806379	Tube-Breather	383	19374s	Wrench-Spark Plug	1023A	808648	Cover-Rocker (Includes Breather Assembly)
13	692059	Screw (Cylinder Head)	466	806466	Seal-O Ring (Rocker Cover)	1026	691836	Rod-Push (Steel, Intake)
33	806419	Valve-Exhaust	601	691038	Clamp-Hose	----- Note -----		
34	806420	Valve-Intake	601A	691145	Clamp-Hose	691758		Rod-Push (Aluminum, Exhaust)
35	692084	Spring-Valve (Intake)	635	692076	Boot-Spark Plug	1029	807323	Arm-Rocker
36	692084	Spring-Valve (Exhaust)	830	809157	Stud-Rocker Arm	1095	842659	Gasket Set-Valve
40	692058	Retainer-Valve	868	★△691963	Seal-Valve	1100	791959	Pivot-Rocker Arm
42	807683	Keeper-Valve	871	692057	Bushing-Valve Guide	1254	807084	Screw (Rocker Cover)
45	690977	Tappet-Valve	883	★△806425	Gasket-Exhaust			
51	★△806418	Gasket-Intake	914	806421	Screw (Rocker Cover)			

★ Included in Gasket Set-See Ref. No. 358.
● Included in Carburetor Kit-See Ref. 121.

△ Included in Valve Overhaul Kit-See Ref. No. 1095.

Assemblies include all parts shown in frames.

11/06



Assemblies include all parts shown in frames.

386447-0144-E1

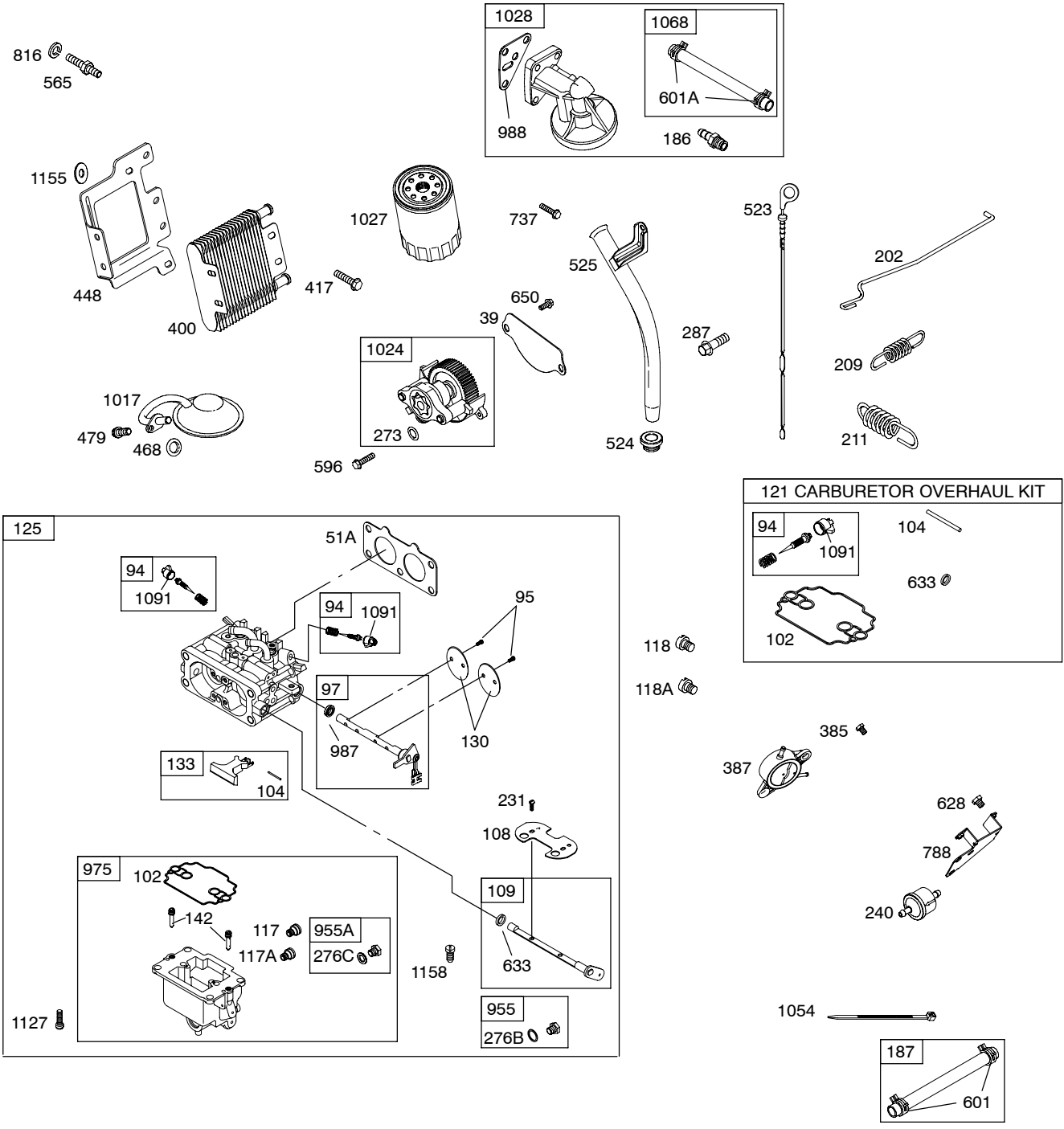
REF. NO.	PART NO.	DESCRIPTION	REF. NO.	PART NO.	DESCRIPTION	REF. NO.	PART NO.	DESCRIPTION
12	★842589	Gasket-Crankcase	290	691537	Screw (Intake Elbow)	654	690939	Nut (Carburetor)
17	690752	Bearing-Ball	365	690866	Screw (Carburetor)	691	690680	Seal-Governor Shaft
18	808849	Cover-Crankcase	431	691534	Elbow-Intake	711	841233	Screw (Carburetor Shield)
20	★805049s	Seal-Oil (PTO Side)	439	★692154	Seal-O Ring (Crankcase Cover)	833	807084	Screw (Air Cleaner Mounting Strap)
22	807362	Screw (Crankcase Cover)	445	692519	Filter-Air Cleaner Cartridge	862	691539	Strap-Air Cleaner Mounting
50	806376	Manifold-Intake	467	691985	Knob-Air Cleaner	967	692520	Filter-Air Cleaner Cartridge
51	★△806418	Gasket-Intake	552	690701	Bushing-Governor Crank	968	808654	Cover-Air Cleaner
51A	★690950	Gasket-Intake	552A	806686	Bushing-Governor Crank	971	691492	Screw (Air Cleaner Base)
53	690746	Stud (Carburetor)	615	691550	Retainer-Governor Shaft	996	690917	Shield-Carburetor
54	806444	Screw (Intake Manifold)	616	806685	Crank-Governor	1004	806422	Duct-Air
122	690870	Spacer-Carburetor	643	692079	Retainer-Air Filter	1135	806497	Washer (Crankcase Cover/ Sump)
161	808655	Base-Air Cleaner						
163	★692087	Gasket-Air Cleaner						
276	690704	Washer-Sealing						

★ Included in Gasket Set-See Ref. No. 358.
● Included in Carburetor Kit-See Ref. 121.

△ Included in Valve Overhaul Kit-See Ref. No. 1095.

Assemblies include all parts shown in frames.

11/06



Assemblies include all parts shown in frames.

386447-0144-E1

REF. NO.	PART NO.	DESCRIPTION	REF. NO.	PART NO.	DESCRIPTION	REF. NO.	PART NO.	DESCRIPTION
39	690745	Deflector-Oil			Governor	601	691038	Clamp-Hose
51A	★690950	Gasket-Intake	209	806507	Spring-Governor	601A	691145	Clamp-Hose
94	808257	Kit-Idle Mixture	211	691553	Spring-Governed Idle	628	806660	Screw (Fuel Pump Bracket)
95	690718	Screw (Throttle Valve)	231	690718	Screw (Choke Valve)	633	●690722	Seal-Choke Shaft
97	808182	Shaft-Throttle	240	691035	Filter-Fuel	650	841233	Screw (Oil Deflector)
102	●693711	Gasket-Carburetor Body	273	★690681	Seal-O Ring (Oil Pump Screen)	737	690679	Screw (Oil Filter Adapter)
104	●690882	Pin-Float Hinge	276B	693497	Washer-Sealing	788	691559	Bracket-Fuel Pump
108	690883	Valve-Choke	276C	690724	Washer-Sealing	816	690706	Washer (Oil Filter Adapter)
109	808277	Shaft-Choke	287	692062	Screw (Dipstick Tube)	955	807723	Plug-Carburetor
117	806438	Jet-Main (Standard)(Left)	385	807084	Screw (Fuel Pump)	955A	808176	Plug-Carburetor
117A	806439	Jet-Main (Standard)(Right)	387	808656	Pump-Fuel	975	841160	Bowl-Float
118	841670	Jet-Main (High Altitude)(Left)	400	808657	Cooler-Oil	987	692090	Seal-Throttle Shaft
118A	693500	Jet-Main (High Altitude)(Right)	417	810074	Screw (Oil Cooler)	988	★692063	Gasket-Oil Adapter
121	842875	Kit-Carburetor Overhaul	448	841488	Bracket-Oil Cooler	1017	690900	Screen-Oil Pump
125	808626	Carburetor	468	★690690	Seal-O Ring (Oil Pump Screen)	1024	693185	Pump-Oil
130	690884	Valve-Throttle	479	807084	Screw (Oil Pump Screen)	1027	842921	Filter-Oil
133	808180	Float-Carburetor	523	693175	Dipstick	1028	808537	Adapter-Oil Filter
142	806375	Nozzle-Carburetor	524	693172	Seal-Dipstick Tube	1054	280275	Tie-Cable
186	693184	Connector-Hose	525	693174	Tube-Dipstick	1068	841999	Hose/Clamp Assembly
187	791766	Line-Fuel (Cut to Required Length)	565	690682	Stud (Oil Filter Adapter)	1091	●691516	Cap-Limiter
202	691536	Link-Mechanical	596	691492	Screw (Oil Pump)	1127	690885	Screw (Float Bowl)
						1155	806647	Washer (Oil Cooler)
						1158	807468	Screw (Carburetor)

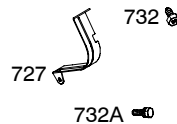
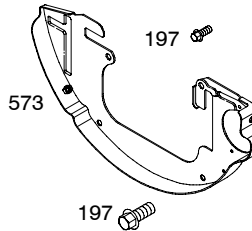
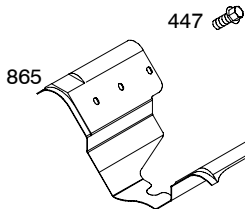
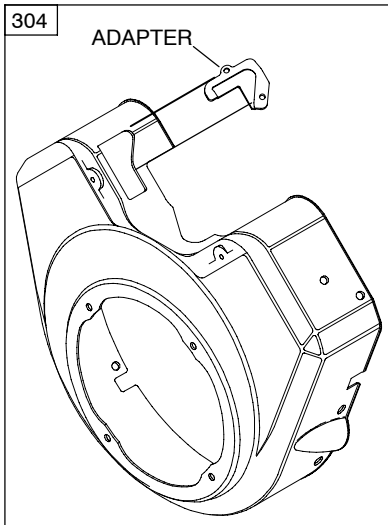
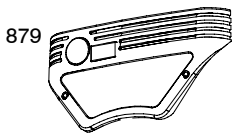
★ Included in Gasket Set-See Ref. No. 358.

● Included in Carburetor Kit-See Ref. 121.

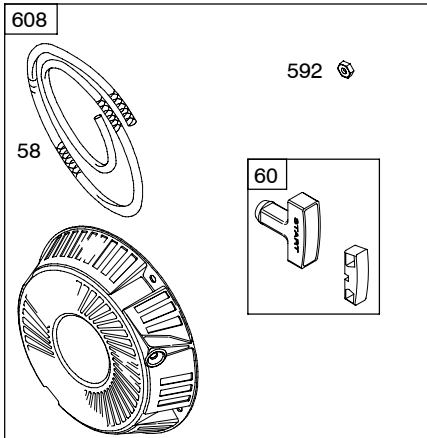
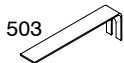
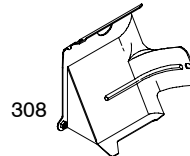
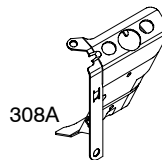
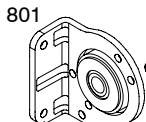
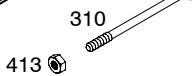
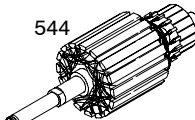
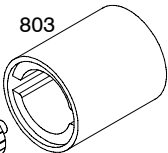
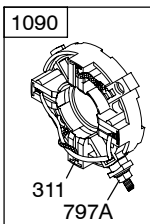
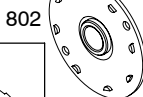
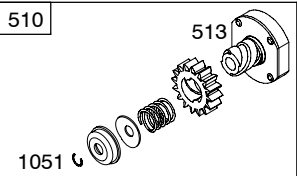
△ Included in Valve Overhaul Kit-See Ref. No. 1095.

Assemblies include all parts shown in frames.

1036 EMISSIONS LABEL



309



Assemblies include all parts shown in frames.

386447-0144-E1

REF. NO.	PART NO.	DESCRIPTION	REF. NO.	PART NO.	DESCRIPTION	REF. NO.	PART NO.	DESCRIPTION
58	66574	Rope-Starter	503	691532	Strap-Starter	732	690688	Screw
60	808167	Grip-Starter Rope	506	807120	Screw			(Starter Drive Cover)
197	807163	Screw			(Carburetor Cover)	732A	841233	Screw
		(Backplate)	510	496881	Drive-Starter			(Starter Drive Cover)
304	841489	Housing-Blower	513	692024	Clutch-Drive	797	691029	Nut
305	692056	Screw	529	690744	Grommet			(Brush Retainer)
		(Blower Housing)	544		Armature-Starter	797A	693167	Nut
308	841183	Cover-Cylinder Head			(For Service Order			(Brush Retainer)
		(Cylinder #1)			691564, Starter Motor)	801	808778	Cap-Drive
308A	841182	Cover-Cylinder Head	573	841314	Plate-Back	802	691286	Cap-End
		(Cylinder #2)	592	690939	Nut	803	693547	Housing-Starter
309	691564	Motor-Starter			(Rewind Starter)	865	807119	Cover-Air Guide
310	690323	Bolt	608	841729	Starter-Rewind	879	841607	Cover-Carburetor
		(Starter Motor)	638	691551	Washer	1036		Label-Emissions
311	497608	Brush Set			(Cylinder Head Cover)			(Available from an
322	841233	Screw	697	692062	Screw			Authorized Briggs &
		(Cylinder Head Cover)			(Starter Motor)			Stratton Service
413	693587	Nut	727	841313	Cover-Starter Drive			Dealer)
		(Starter Motor)				1051	691124	Ring-Retaining
447	841233	Screw				1090	691293	Retainer-Brush
		(Air Guide Cover)						

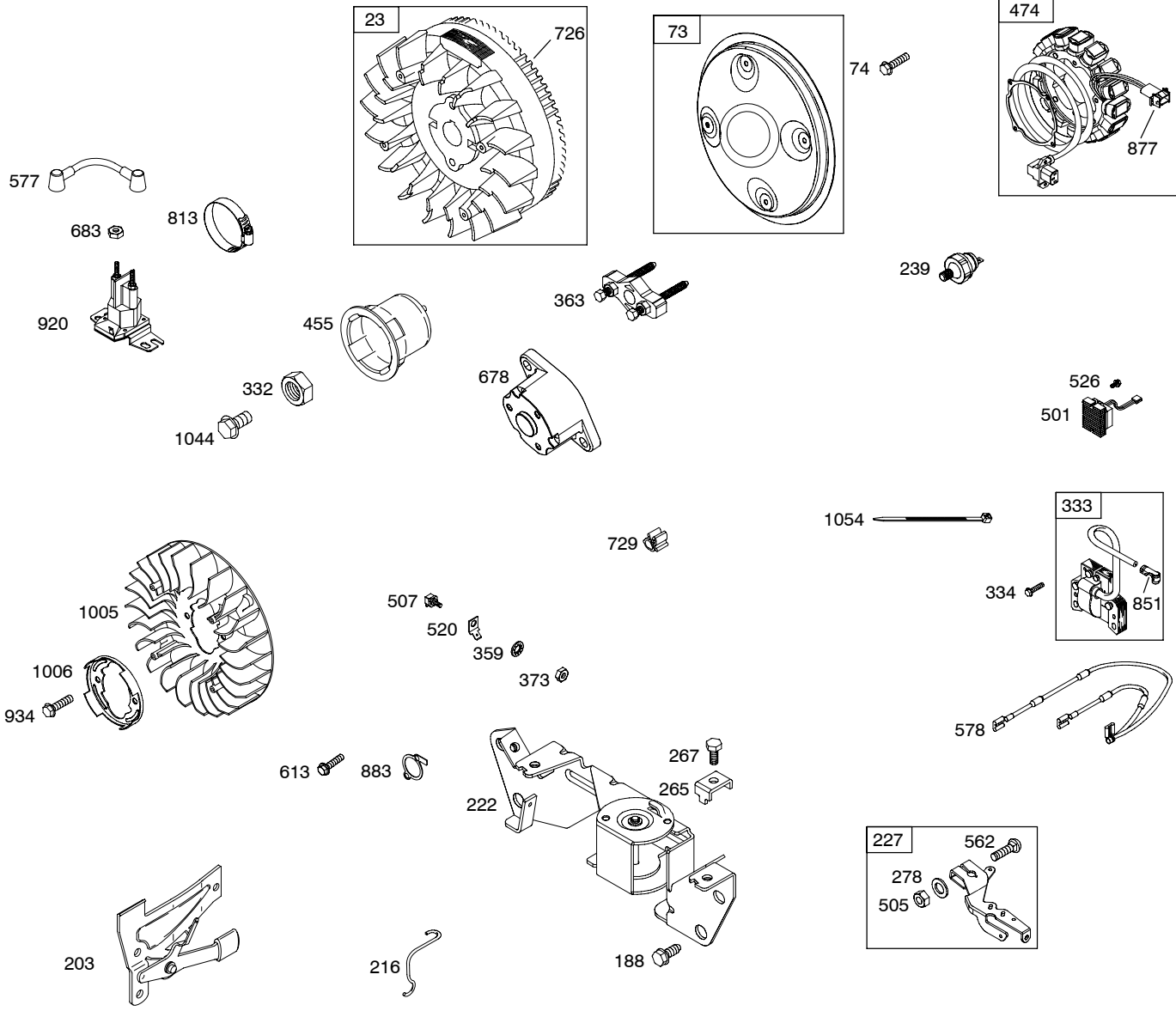
★ Included in Gasket Set-See Ref. No. 358.

● Included in Carburetor Kit-See Ref. 121.

△ Included in Valve Overhaul Kit-See Ref. No. 1095.

Assemblies include all parts shown in frames.

11/06



Assemblies include all parts shown in frames.

386447-0144-E1

REF. NO.	PART NO.	DESCRIPTION	REF. NO.	PART NO.	DESCRIPTION	REF. NO.	PART NO.	DESCRIPTION
23	842442	Flywheel	334	692066	Screw (Magneto Armature)	613	691902	Screw (Muffler)
73	841662	Screen-Rotating	359	691077	Washer (Ground Terminal)	678	841730	Spacer-Rewind
74	841441	Screw (Rotating Screen)	363	19203	Puller-Flywheel	683	691029	Nut (Starter Solenoid)
188	692056	Screw (Control Bracket)	373	691612	Nut (Ground Terminal)	726		Gear-Ring (See Reference 23 for Service)
203	808753	Crank-Bell	455	841794	Cup-Flywheel	729	690586	Clip-Wire
216	691542	Link-Choke	474	841178	Alternator	813	690635	Clamp
222	808454	Bracket-Control	501	841170	Regulator	851	493880s	Terminal-Spark Plug
227	690236	Lever-Governor Control	505	690238	Nut (Governor Control Lever)	877	698092	Harness-Alternator
232	691538	Spring-Link	507	691972	Insulator	883	*Δ806425	Gasket-Exhaust
239	690233	Switch-Oil Pressure	520	691084	Terminal-Ground	920	691656	Starter-Solenoid
265	691024	Clamp-Casing	526	691547	Screw (Regulator)	934	691058	Screw (Flywheel Fan)
267	692083	Screw (Casing Clamp)	562	690239	Bolt (Governor Control Lever)	1005	841439	Fan-Flywheel
278	842122	Washer (Governor Control Lever)	577	690795	Cable-Starter	1006	690452	Retainer-Fan
332	690887	Nut (Flywheel)	578	692319	Wire Assembly	1044	692056	Screw (Flywheel)
333	492341	Armature-Magneto				1054	280275	Tie-Cable

★ Included in Gasket Set-See Ref. No. 358.
● Included in Carburetor Kit-See Ref. 121.

Δ Included in Valve Overhaul Kit-See Ref. No. 1095.