

**ONTARIO DRIVE AND GEAR 356447-0165-E1****Illustrated Parts List****Model Series****356447**TYPE NUMBER  
0165-E1.*20/50  
AMP***TO FIND****THE CORRECT NUMBER OF THE PART YOU NEED:  
FOLLOW THE INSTRUCTIONS BELOW**

- A. Refer to Engine Model, Type and Code Number that is stamped on the blower housing of engine. Engine type numbers such as 0123 01 are listed only as 0123 in most instances. The two digits (01 or 02, etc.) to the right of the space may be required for more accurate parts identification in some instances. Select the Illustrated Parts List covering the correct Model Series and Type Number.
- B. Refer to the Illustrations and compare the original part with Illustration. The number next to the illustration is the Reference Number. Assemblies include all parts shown in frames. All parts shown in assembly frames having individual reference numbers can be purchased separately.
- C. After the Reference Number has been identified, refer to the Numerical text, where Reference and Primary Part Number are listed.

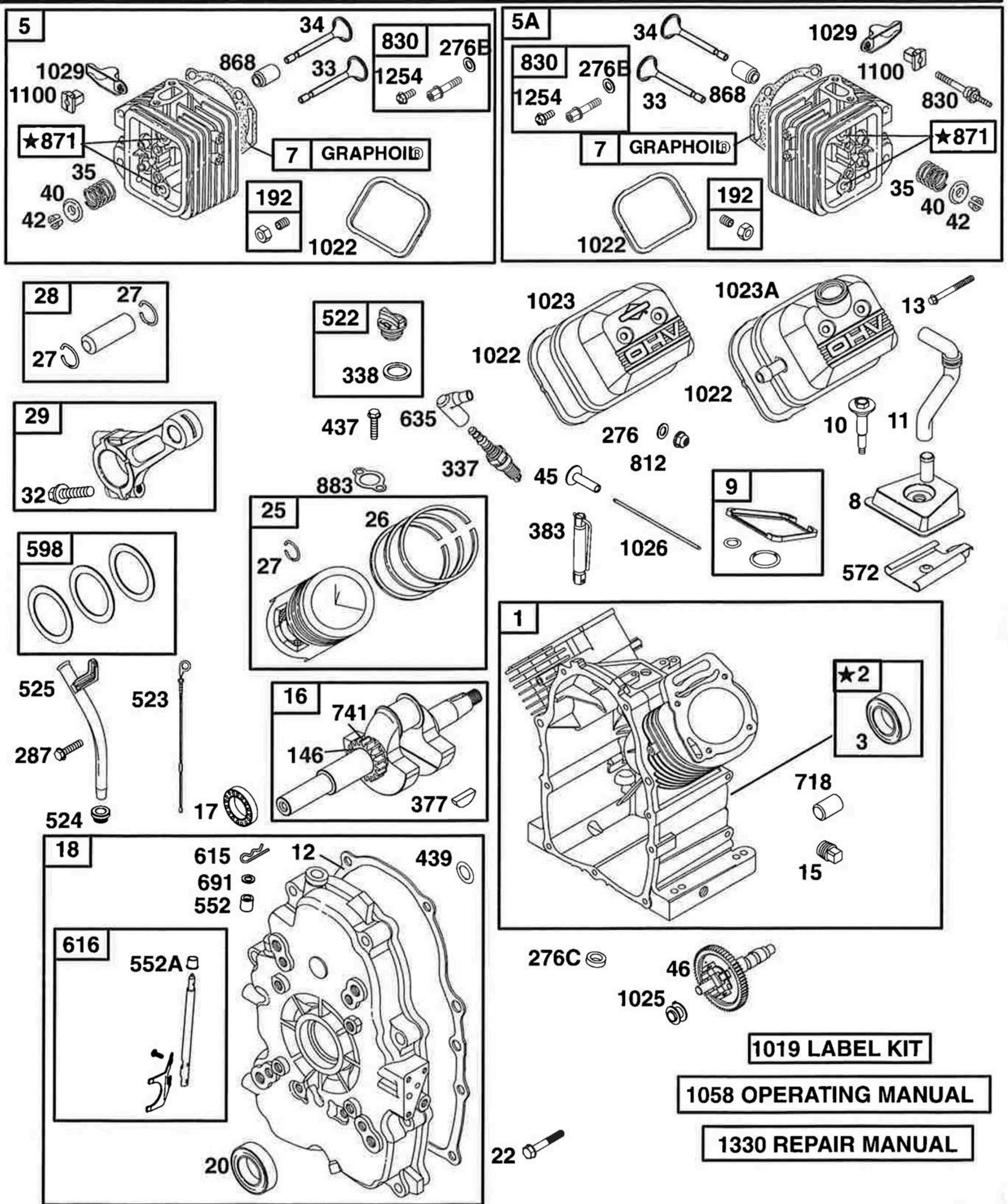
PRINTED IN U.S.A.

**BRIGGS & STRATTON**

®

COPYRIGHT by BRIGGS & STRATTON CORPORATION  
All rights reserved. No part of this material may be reproduced or transmitted, in any form or by any means, electronic or mechanical, including photocopying, recording or by any information storage and retrieval system, without permission in writing from Briggs & Stratton Corporation.

# 356447-0165-E1



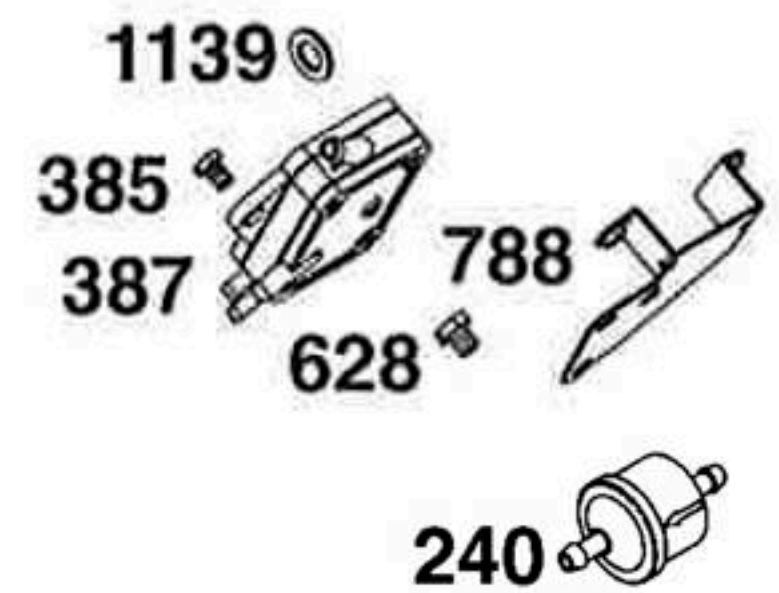
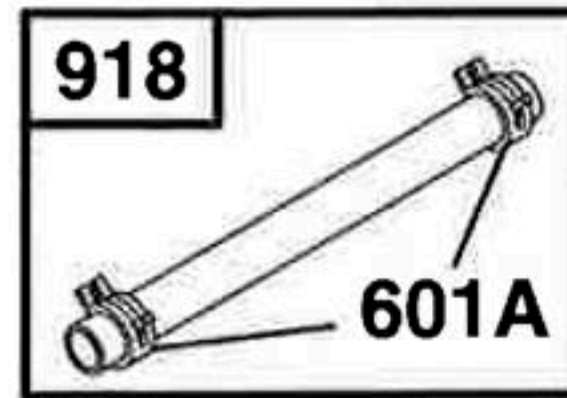
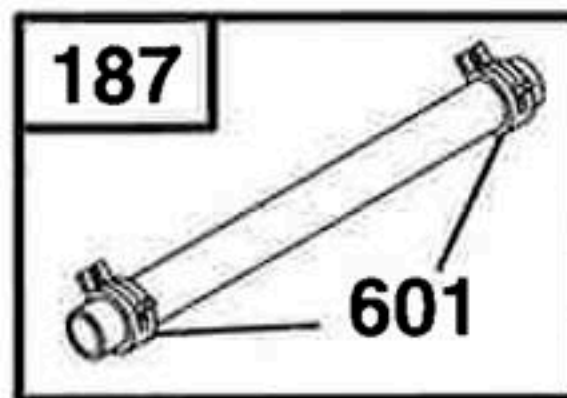
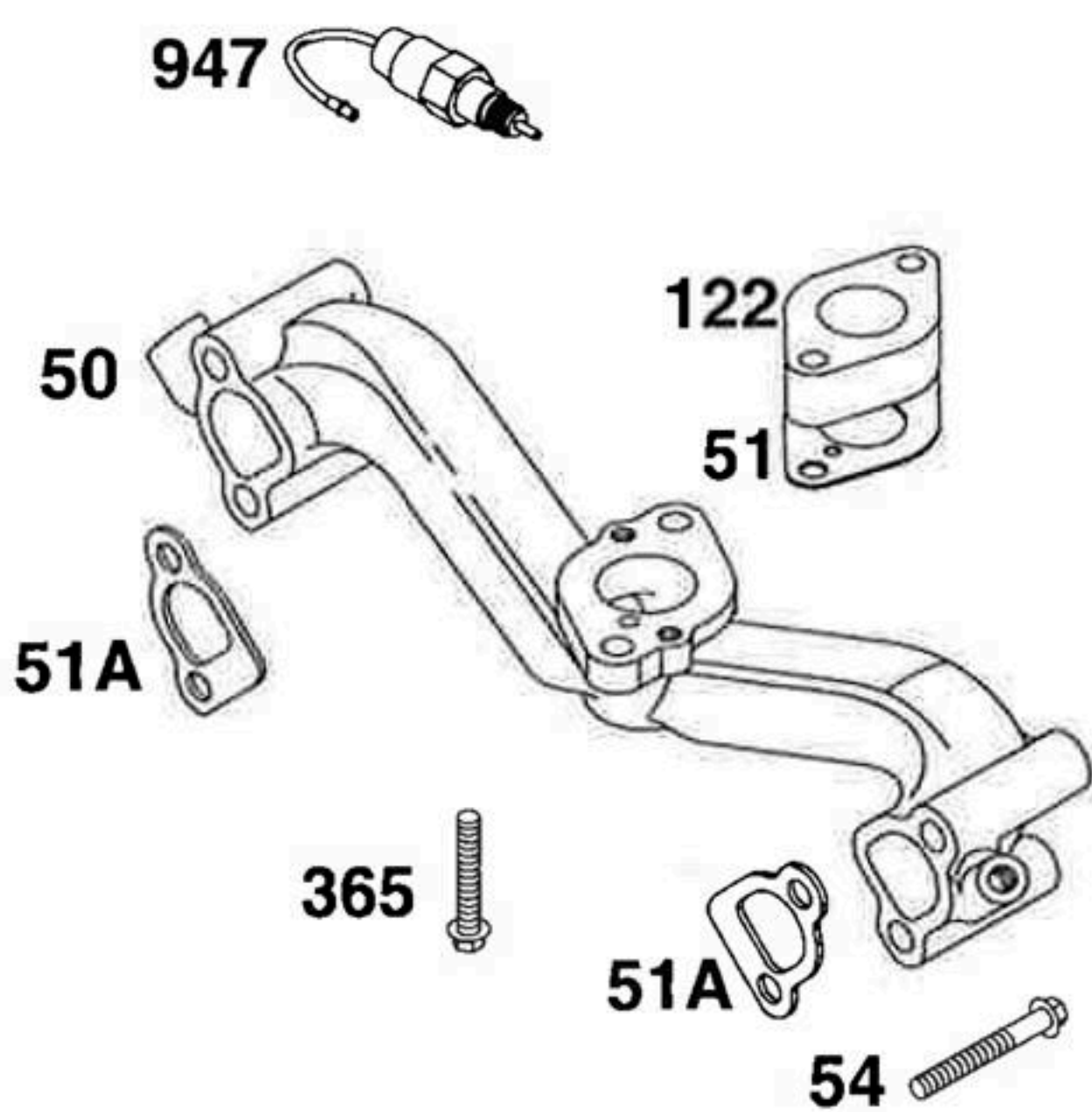
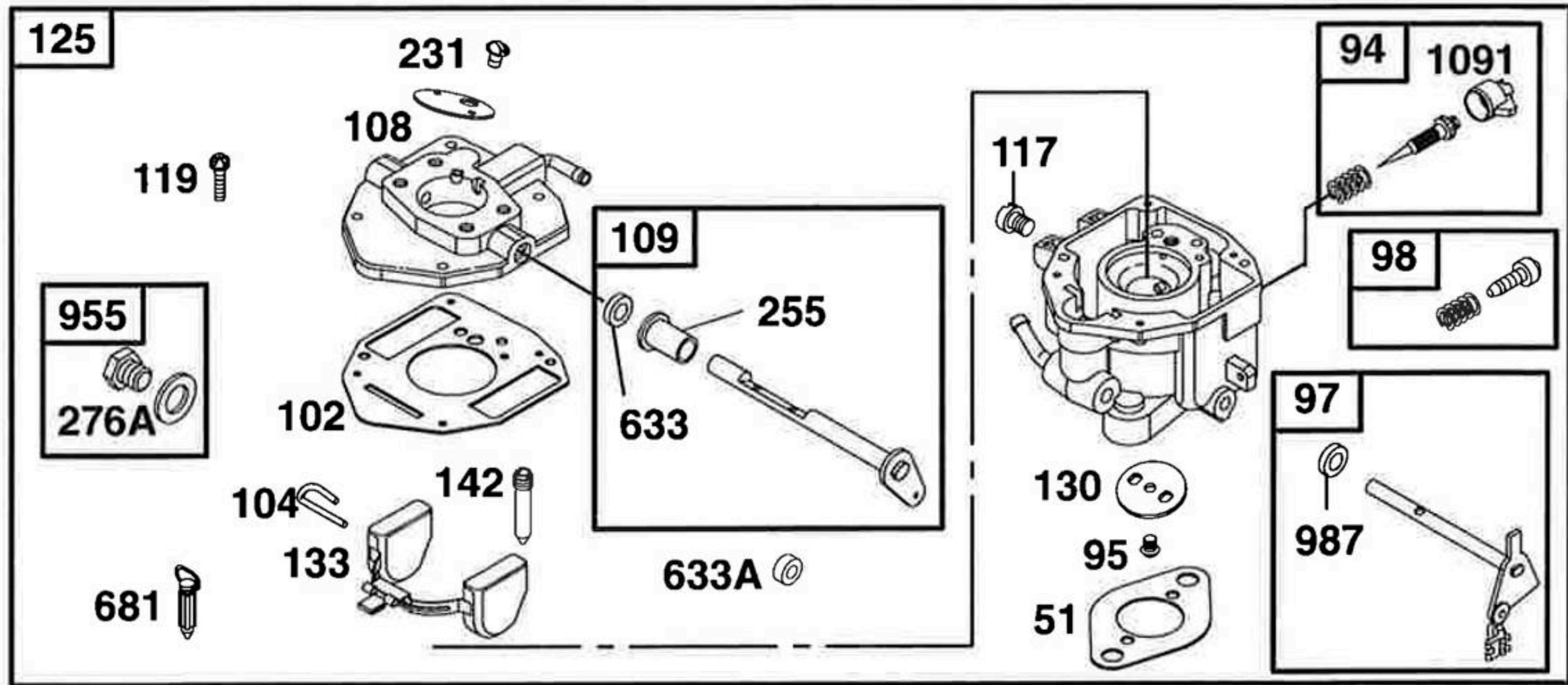
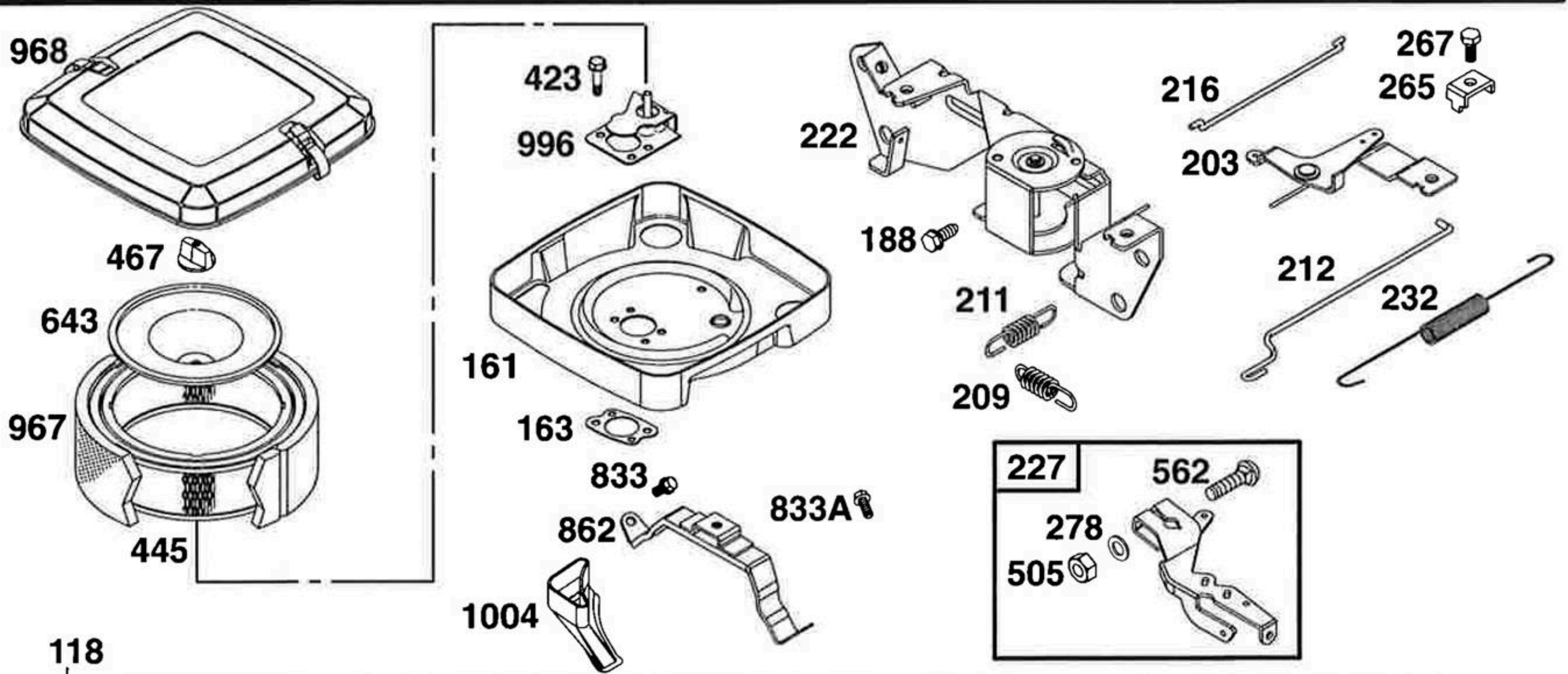
Assemblies include all parts shown in frames.

REF. NO.	PART NO.	DESCRIPTION	REF. NO.	PART NO.	DESCRIPTION	REF. NO.	PART NO.	DESCRIPTION
1	841562	Cylinder Assembly	28	807886	Pin-Piston	552A	690702	Bushing-Governor Crank
2	808534	Bushing	29	807900	Rod-Connecting (Standard)	572	690686	Plate-Breather
3	★805101	Seal-Oil	32	690698	Screw (Connecting Rod)	598	807625	Shim-End Play
5	809185	Head-Cylinder (No. 1)	33	807681	Exhaust Valve	615	691550	Retainer-Governor Shaft
5A	809186	Head-Cylinder (No. 2)	34	807680	Intake Valve	616	806685	Crank-Governor
7	★△690888	Cylinder Head Gasket	35	692084	Valve Spring (Intake)	635	692076	Boot-Spark Plug
8	808984	Breather Assembly	36	692084	Valve Spring (Exhaust)	691	690680	Seal-Governor Shaft
9	★809094	Gasket-Breather	40	692058	Valve Retainer	718	806469	Pin-Locating
10	690751	Screw (Breather)	42	807683	Valve Keeper	741	691530	Gear-Timing
11	806083	Tube-Breather	45	690977	Valve Tappet	830	809157	Stud (Rocker Arm)
12	★691684	Gasket-Crankcase	46	691557	Camshaft	868	★△691963	Seal-Valve
13	692059	Screw (Cylinder Head)	51A	★△692035	Gasket-Intake	871	692057	Bushing-Guide
15	690946	Plug-Oil Drain	146	691639	Key-Timing	883	★△691613	Exhaust Gasket
16	809842	Crankshaft	192	807623	Rocker Arm Adjuster	1019	808036	Label Kit
17	690752	Bearing-Ball	276B	807085	Washer-Sealing	1022	★△806039	Gasket-Rocker Cover
18	808847	Cover-Crankcase	276C	805416	Sealing Washer	1023	691494	Cover-Rocker
20	★805049	Seal-Oil	287	692062	Screw (Dipstick Tube)	1023A	690910	Cover-Rocker (Used on Cylinder #1)
22	807362	Screw (Crankcase Cover)	337	491055	Spark Plug	1025	690689	Spool-Governor
25	808326	Piston Assembly (Standard)	338	691312	Gasket-Dipstick	1026	691836	Rod-Push (Steel, Intake)
		----- <b>Note</b> -----	377	808095	Key-Woodruff			----- <b>Note</b> -----
		808337 Piston Assy. (.020" Oversize)	437	691902	Screw (Exhaust Manifold)			691758 Rod-Push (Aluminum, Exhaust)
26	807889	Ring Set (Standard)	439	★692154	Seal-O-Ring (Crankcase Cover)	1029	807323	Rocker Arm
		----- <b>Note</b> -----	522	491832	Dipstick/Fill Plug	1058	276343	Operating Manual
		807995 Ring Set (.020" Oversize)	523	693175	Dipstick	1100	690973	Rocker Arm Pivot
27	690683	Lock-Piston Pin	524	★693172	Dipstick Tube Seal	1254	807084	Screw (Rocker Cover)
			525	693174	Dipstick Tube	1330	272144	Repair Manual
			552	690701	Bushing-Governor Crank			

★ Included in Gasket Set-See Ref. No. 358.  
● Included in Carburetor Kit-See Ref. 121.

△ Included in Valve Overhaul Kit-See Ref. No. 1095.

# 356447-0165-E1



Assemblies include all parts shown in frames.

# 356447-0165-E1

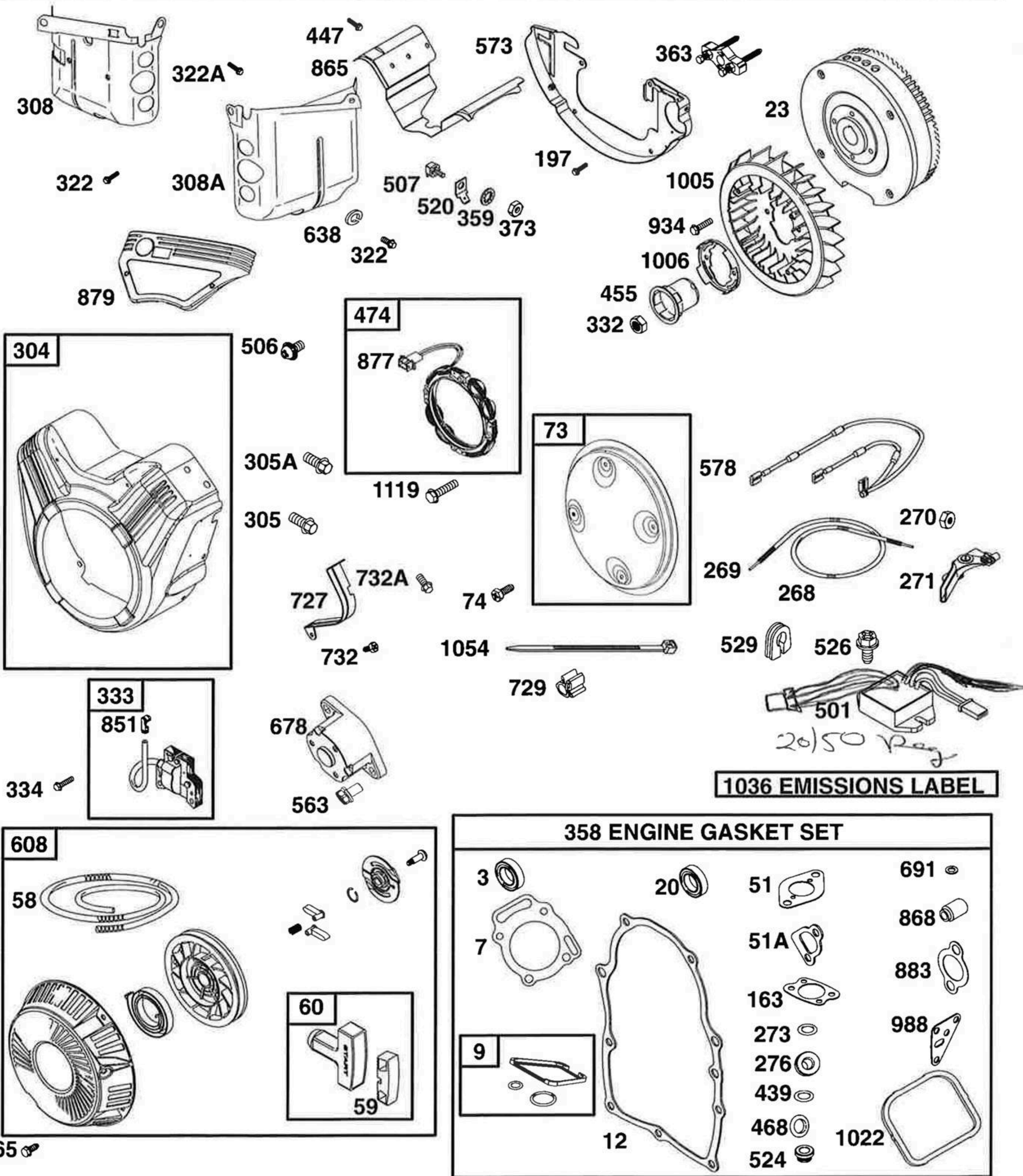
REF. NO.	PART NO.	DESCRIPTION	REF. NO.	PART NO.	DESCRIPTION	REF. NO.	PART NO.	DESCRIPTION
50	690754	Manifold-Intake	188	692056	Screw (Control Bracket)	601	691038	Clamp-Hose
51	★691694	Intake Gasket	203	690923	Crank-Bell	601A	791850	Clamp-Hose
51A	★△692035	Intake Gasket	209	806507	Spring-Governor	628	806660	Screw (Pump Bracket)
54	690676	Screw (Intake Manifold)	211	691553	Spring-Governed Idle	633	●806131	Seal-Choke Shaft
94	●808399	Idle Mixture Kit	212	805480	Link-Throttle	643	692079	Retainer-Air Filter
95	690718	Screw (Throttle Valve)	216	690705	Link-Choke	681	●808798	Valve-Needle
97	809062	Throttle Shaft	222	808454	Bracket-Control (Used With Control Lever and/or Wire With a "Z" Formed End)	788	691559	Bracket-Fuel Pump
98	808177	Kit-Idle Speed	227	690236	Lever-Governor Control	833	841233	Screw (Air Cleaner Mounting Strap)
102	●692077	Gasket-Carburetor Body	231	690718	Screw (Choke Valve)	833A	690872	Screw (Air Cleaner Mounting Strap)
104	●690723	Pin-Float Hinge	232	692073	Spring-Link	862	692153	Strap-Cleaner Mounting
108	806134	Valve-Choke	240	691035	Filter-Fuel	918	393815	Hose-Vacuum (Cut to Required Length)
109	808398	Choke Shaft	255	●690721	Choke Shaft Bushing	947	692094	Solenoid-Fuel
117	●806126	Jet-Main (Standard)	265	691024	Clamp-Casing	955	807723	Plug-Carburetor
118	809685	Jet-Main (High Altitude)	267	692083	Screw (Casing Clamp)	967	272490	Filter-Air Cleaner Cartridge
119	690720	Screw (Upper Carb Body to Lower Carb Body)	276A	●690724	Sealing Washer	968	692097	Cover-Air Cleaner
121	809022	Carburetor Overhaul Kit	278	842122	Washer (Governor Control Lever)	971	807084	Screw (Air Cleaner Base)
122	690747	Spacer-Carburetor	365	690711	Screw (Carburetor)	987	●690722	Seal-Throttle Shaft
125	809017	Carburetor	385	807084	Screw (Fuel Pump)	996	691577	Shield-Carburetor
130	806132	Valve-Throttle	387	808656	Pump-Fuel	1004	807121	Duct-Air
133	806961	Float-Carburetor	445	394018	Filter-Air	1091	●691516	Cap-Limiter
142	●806128	Nozzle-Carburetor	467	691985	Knob-Air Cleaner	1139	806497	Washer (Fuel Pump Bracket)
161	691561	Base-Air Cleaner	505	690238	Nut (Governor Lever)			
163	★692081	Gasket-Air Cleaner	562	690239	Bolt (Governor Lever)			
187	791766	Line-Fuel (Cut to Required Length)						

★ Included in Gasket Set-See Ref. No. 358.  
● Included in Carburetor Kit-See Ref. 121.

△ Included in Valve Overhaul Kit-See Ref. No. 1095.

**Assemblies include all parts shown in frames.**

# 356447-0165-E1



**1036 EMISSIONS LABEL**

## 358 ENGINE GASKET SET

Assemblies include all parts shown in frames.

# 356447-0165-E1

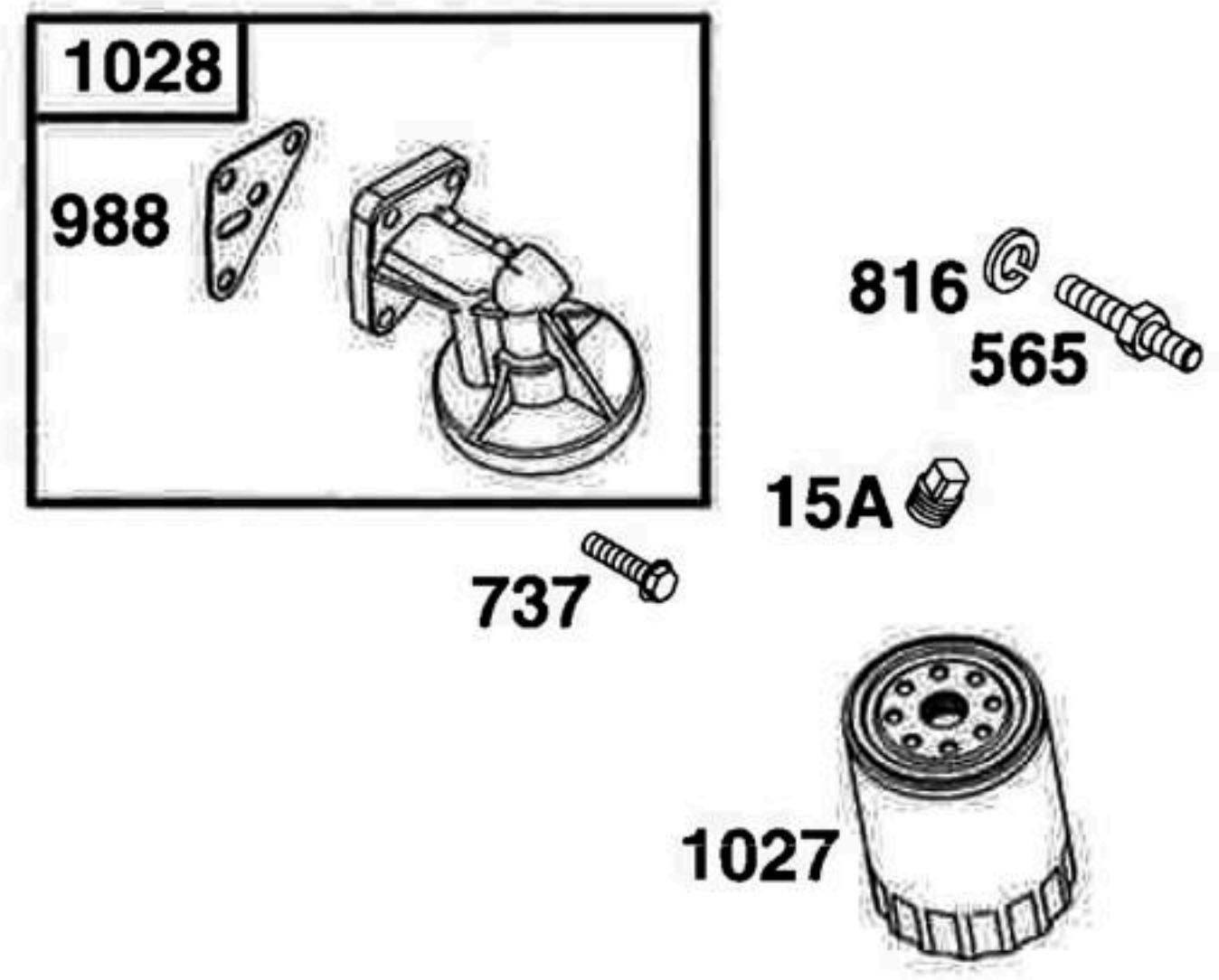
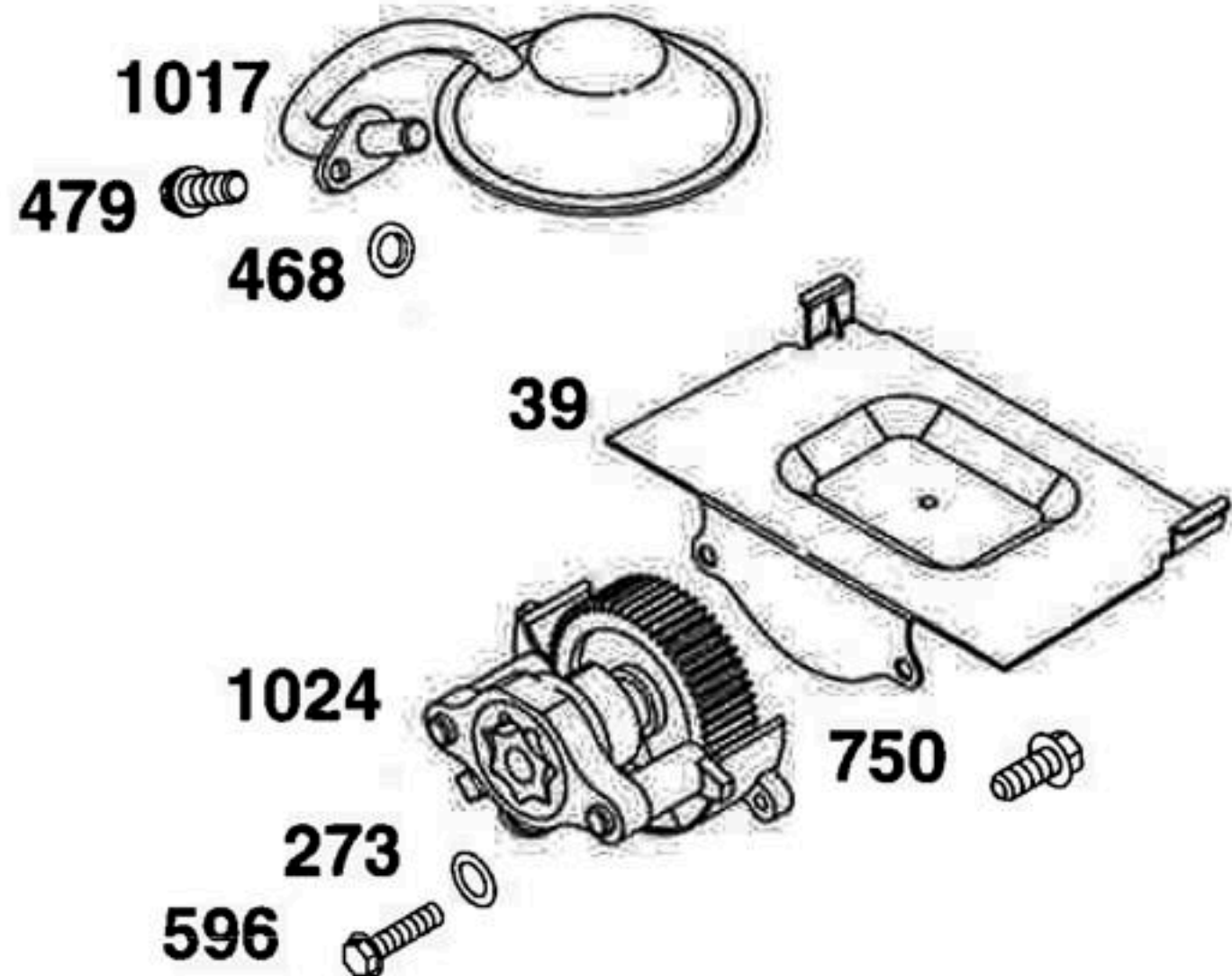
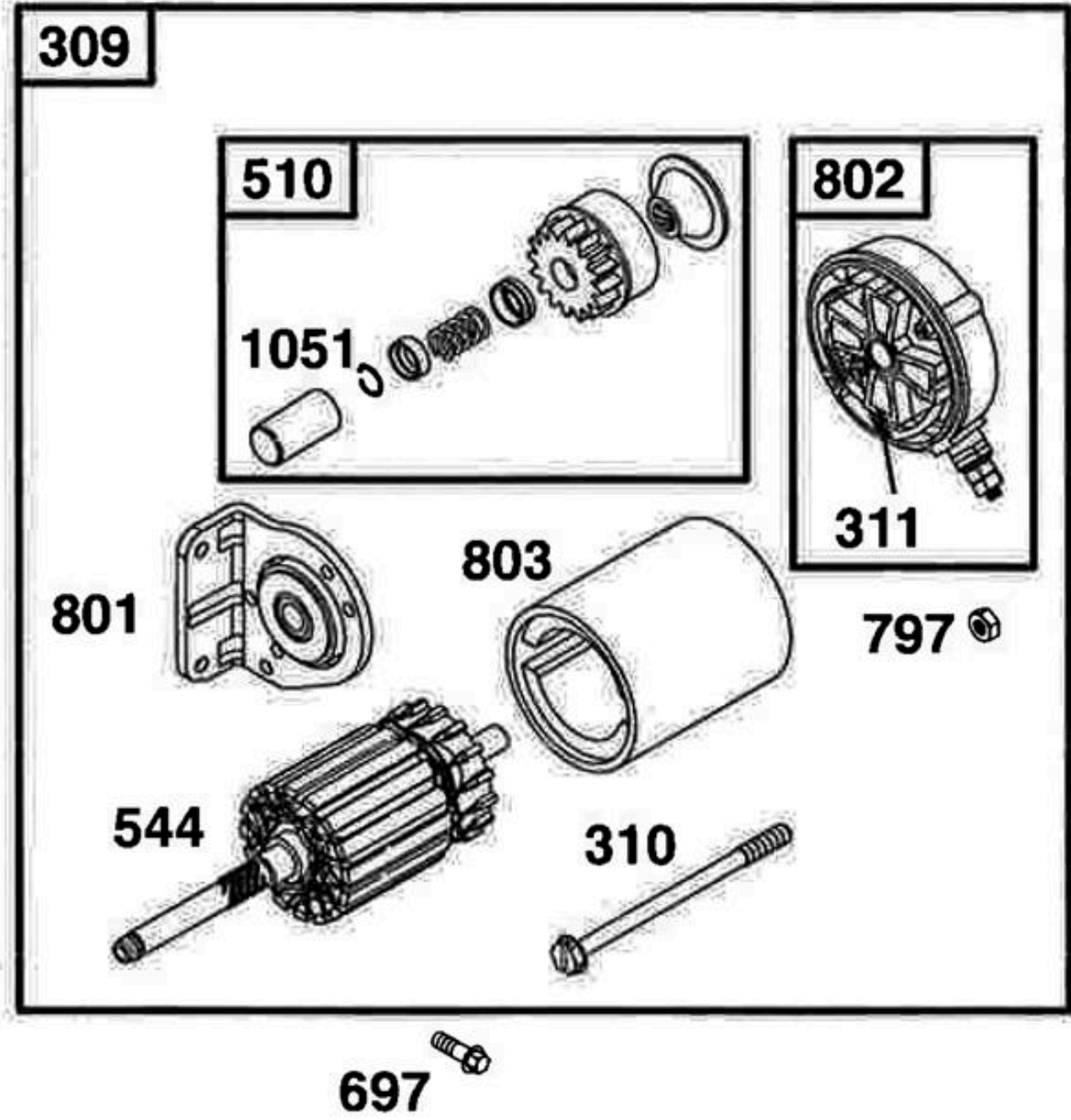
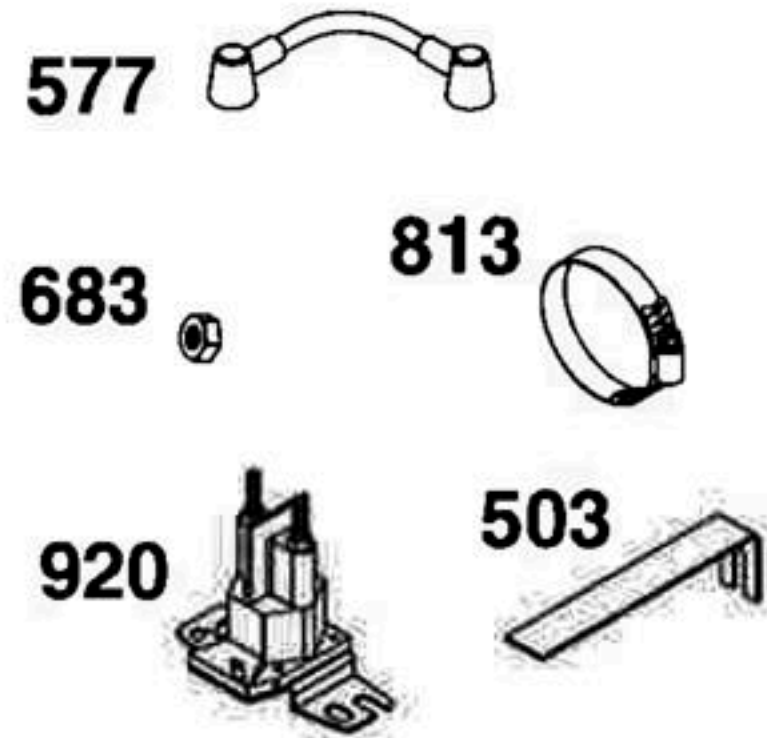
REF. NO.	PART NO.	DESCRIPTION	REF. NO.	PART NO.	DESCRIPTION	REF. NO.	PART NO.	DESCRIPTION
3	★805101	Seal-Oil (Magneto Side)	305A	692056	Screw (Blower Housing)	526	691547	Screw (Regulator)
7	★△690888	Cylinder Head Gasket (Graphoil®)	308	841183	Cover-Cylinder (#1 Cylinder Head Cover)	529	690744	Grommet
9	★809094	Gasket-Breather				563	841735	Screw (Rewind Spacer)
12	★842589	Crankcase Gasket	308A	841182	Cover-Cylinder (#2 Cylinder Head Cover)	573	841314	Plate-Back
20	★805049	Seal-Oil (PTO Side)				578	692319	Wire Assembly
23	842442	Flywheel	322	841233	Screw (Cylinder Head Cover)	608	841729	Starter-Rewind
51	★691694	Intake Gasket				638	691551	Washer (Cylinder Head Cover)
51A	★△692035	Intake Gasket	332	690887	Nut (Flywheel)	678	841730	Spacer-Rewind
56	692085	Starter Pulley	333	492341	Armature-Magneto	727	841313	Cover-Starter Drive
58	66574	Rope-Starter (Cut to Required Length)	334	692066	Screw (Magneto Armature)	729	690586	Clip-Wire
59	805957	Insert-Grip	358	841188	Gasket Set-Engine	732	690688	Screw (Starter Drive Cover)
60	808167	Grip-Starter Rope	359	691077	Washer (Ground Terminal)	732A	841233	Screw (Starter Drive Cover)
65	690341	Screw (Rewind Housing)	363	19203	Flywheel Puller	851	493880	Terminal-Cable
73	841662	Screen-Rotating	373	691612	Nut (Ground Terminal)	865	807119	Cover-Air Guide
74	841441	Screw (Rotating Screen)	439	★692154	O-Ring Seal (Crankcase Cover)	868	★△691963	Seal-Valve
163	★692081	Gasket-Air Cleaner	447	841233	Screw (Air Guide Cover)	877	698092	Harness-Alternator
197	807163	Screw (Backplate)	455	841794	Cup-Flywheel	879	807118	Cover-Carburetor
268	691025	Casing-Wire (Cut to Required Length)	468	★690690	O-Ring Seal (Oil Pump Screen)	883	★△691613	Exhaust Gasket
269	691026	Wire-Control (Cut to Required Length)	474	841178	Alternator	934	691058	Screw (Flywheel Fan)
270	691027	Locknut-Casing	501	841170	Regulator	988	★692063	Gasket-Oil Adapter
271	691028	Lever-Control	506	807120	Screw (Cover Mounting)	1005	841439	Fan-Flywheel
304	841732	Housing-Blower	507	691972	Insulator	1006	690452	Retainer-Fan
305	841233	Screw (Blower Housing)	520	691084	Ground Terminal	1022	★△806039	Gasket-Rocker Cover
			524	★693172	Dipstick Tube Seal	1036	842669	Emissions Label (Used After Code Date 05071700).
						1054	280275	Tie-Cable
						1119	691552	Screw (Alternator)

★ Included in Gasket Set-See Ref. No. 358.  
● Included in Carburetor Kit-See Ref. 121.

△ Included in Valve Overhaul Kit-See Ref. No. 1095.

**Assemblies include all parts shown in frames.**

8/05



Assemblies include all parts shown in frames.



# 356447-0165-E1

REF. NO.	PART NO.	DESCRIPTION	REF. NO.	PART NO.	DESCRIPTION	REF. NO.	PART NO.	DESCRIPTION
7	★Δ690888	Cylinder Head Gasket (Graphoil®)	503	691532	Starter Strap	801	808778	Cap-Drive
15	690946	Plug-Oil Drain	510	496881	Drive-Starter	802	691286	Cap-End
39	690745	Oil Pump Cover	544	693548	Armature-Starter	803	693547	Housing-Starter
51A	★Δ692035	Intake Gasket	565	690682	Stud (Oil Filter Adapter)	813	690635	Clamp
273	★690681	O Ring Seal (Oil Pump Screen)	577	690795	Cable-Starter	816	690706	Washer (Oil Filter Adapter)
276	★Δ691766	Sealing Washer (Used Before Code Date 01120300).	596	691492	Screw (Oil Pump)	868	★Δ691963	Seal-Valve
309	691564	Starter Motor (Steel Pinion)	683	691029	Nut (Starter Solenoid)	883	★Δ691613	Exhaust Gasket
310	690323	Bolt (Starter Motor)	697	692062	Screw (Drive Cap)	920	691656	Solenoid Starter
311	497608	Brush Set	737	690679	Screw (Oil Filter Adapter)	988	★692063	Gasket Oil Adapter
468	★690690	O Ring Seal (Oil Pump Screen)	750	692539	Screw (Oil Pump Cover)	1017	690900	Oil Pump Screen
479	807084	Screw (Oil Pump Screen)	797	693587	Nut (Brush Retainer)	1022	★Δ806039	Gasket-Rocker Cover
						1024	693185	Pump-Oil
						1027	492932	Filter-Oil
						1028	808235	Adapter-Oil Filter
						1051	691124	Retaining Ring
						1090	691293	Retainer-Brush
						1095	841191	Valve Gasket Set

★ Included in Gasket Set-See Ref. No. 358.  
● Included in Carburetor Kit-See Ref. 121.

Δ Included in Valve Overhaul Kit-See Ref. No. 1095.

**Assemblies include all parts shown in frames.**

8/05

