

**ONTARIO DRIVE AND GEAR 350447-1282-E1****Illustrated Parts List****Model Series****350447**TYPE NUMBER  
1282-E1.**ODG Parts Manual # 670-35-1**18 HP Engine  
20 Amp Charging System**TO FIND****THE CORRECT NUMBER OF THE PART YOU NEED:  
FOLLOW THE INSTRUCTIONS BELOW**

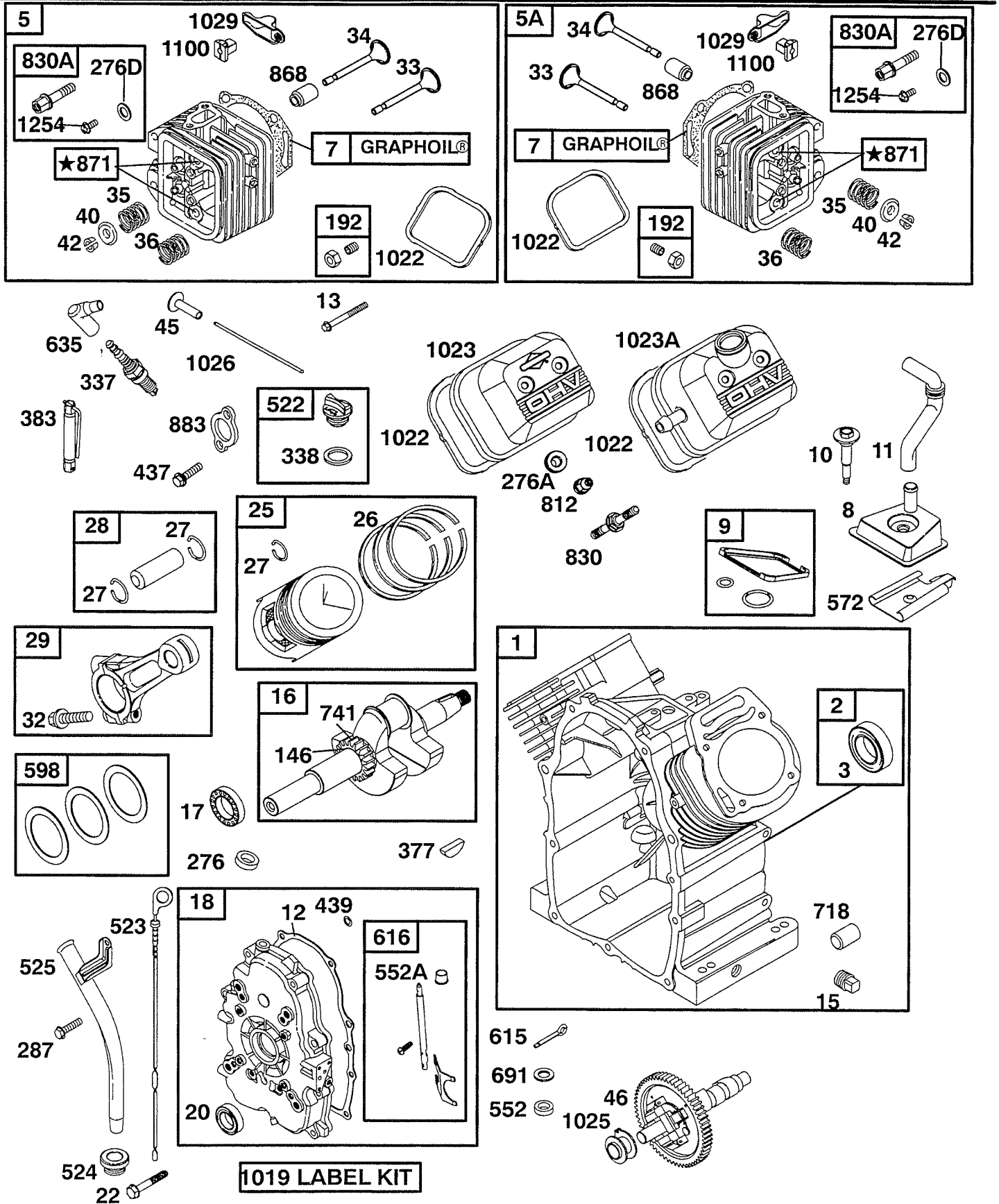
- A. Refer to Engine Model, Type and Code Number that is stamped on the blower housing of engine. Engine type numbers such as 0123 01 are listed only as 0123 in most instances. The two digits (01 or 02, etc.) to the right of the space may be required for more accurate parts identification in some instances. Select the Illustrated Parts List covering the correct Model Series and Type Number.
- B. Refer to the Illustrations and compare the original part with Illustration. The number next to the illustration is the Reference Number. Assemblies include all parts shown in frames. All parts shown in assembly frames having individual reference numbers can be purchased separately.
- C. After the Reference Number has been identified, refer to the Numerical text, where Reference and Primary Part Number are listed.

PRINTED IN U.S.A.



COPYRIGHT by BRIGGS & STRATTON CORPORATION  
All rights reserved. No part of this material may be reproduced or transmitted, in any form or by any means, electronic or mechanical, including photocopying, recording or by any information storage and retrieval system, without permission in writing from Briggs & Stratton Corporation.

# 350447-1282-E1



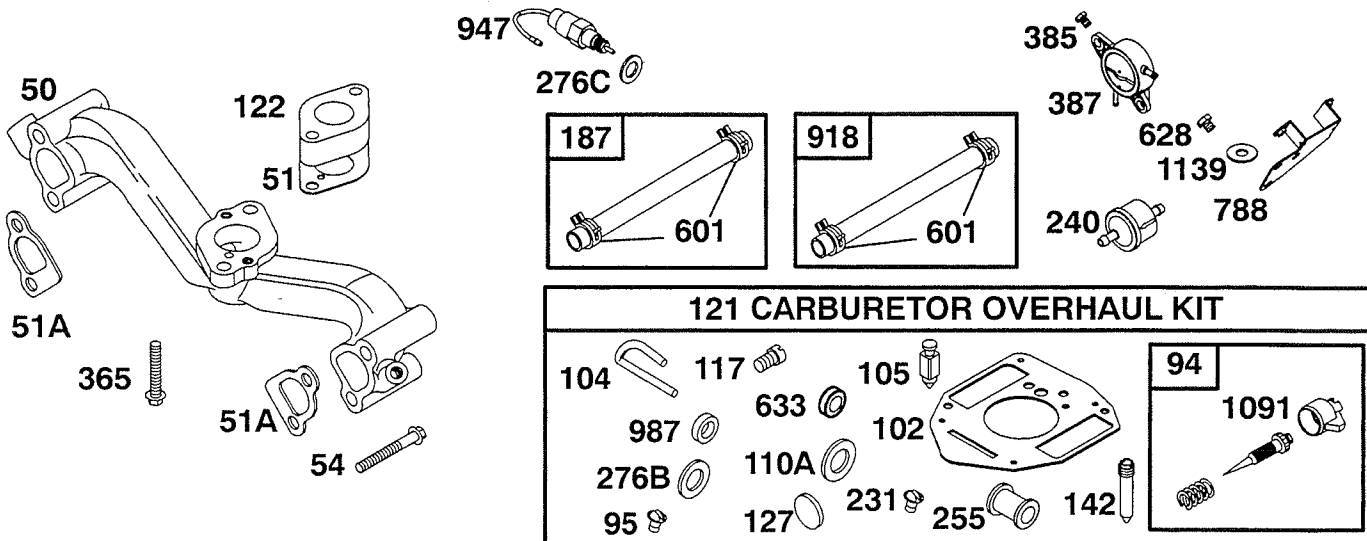
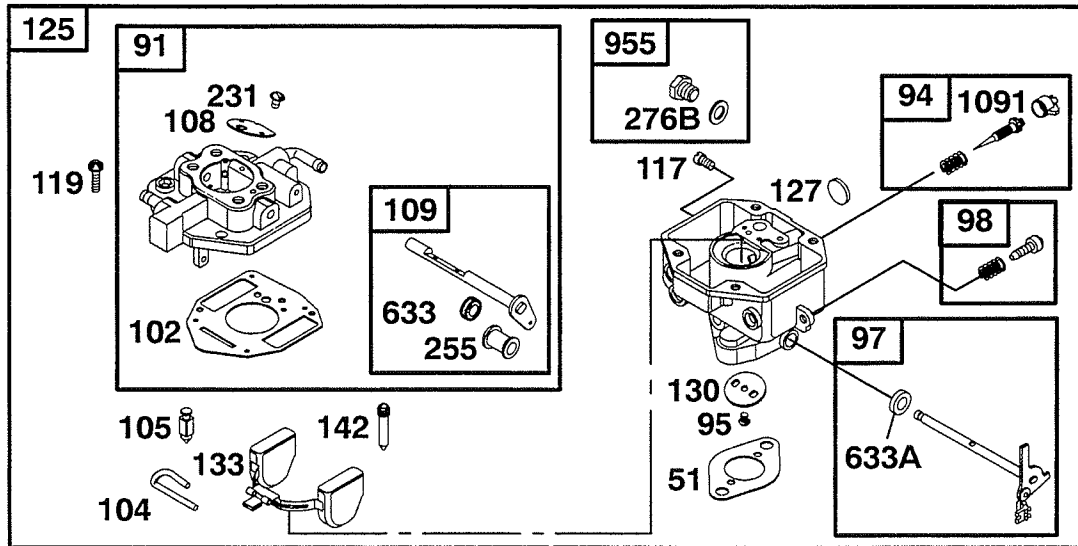
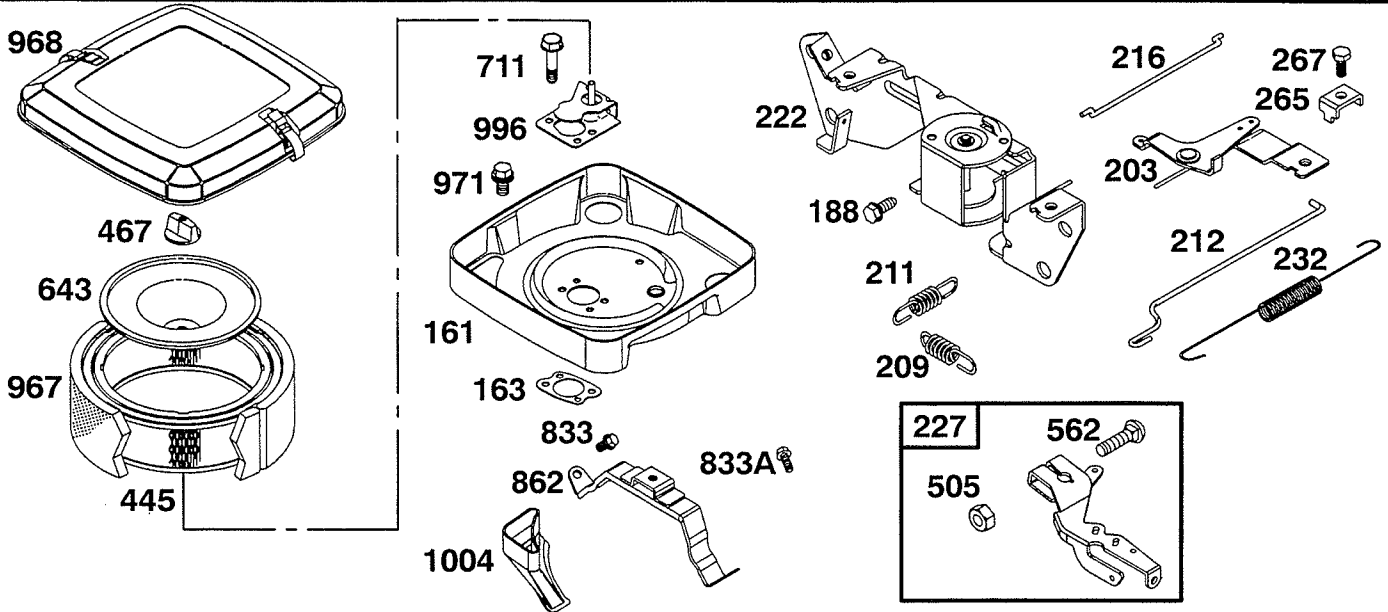
Assemblies include all parts shown in frames.

REF. NO.	PART NO.	DESCRIPTION	REF. NO.	PART NO.	DESCRIPTION	REF. NO.	PART NO.	DESCRIPTION
1	692544	Cylinder Assembly			(.030" Oversize)	439	*692154	Seal-O-Ring (Crankcase Cover)
2	808534	Bushing/Seal Kit	26	807889	Ring Set (Standard)	522	491832	Dipstick/Fill Plug
3	*805101	Seal-Oil (Magneto Side)			----- Note -----	523	693175	Dipstick
5	809185	Head-Cylinder (No. 1) (Used After Code Date 01120200).			807994 Ring Set (.010" Oversize)	524	693172	Dipstick Tube
		----- Note -----			807995 Ring Set (.020" Oversize)	525	693174	Dipstick Tube Seal
		808383 Head-Cylinder (No. 1) (Used Before Code Date 01120300).			807996 Ring Set (.030" Oversize)	552	690701	Bushing-Governor Crank
5A	809186	Head-Cylinder (No. 2) (Used After Code Date 01120200).	27	690683	Lock-Piston Pin	552A	806686	Bushing-Governor Crank
		----- Note -----	28	807886	Pin-Piston	572	690686	Plate-Breather
		808384 Head-Cylinder (No.2) (Used Before Code Date 01120300).	29	807900	Rod-Connecting (Standard)	598	807625	Shim-End Play
		----- Note -----			----- Note -----	615	691550	Retainer-Governor Shaft
		808384 Head-Cylinder (No.2) (Used Before Code Date 01120300).			807803 Rod-Conn. (.020" Undersize)	616	806685	Crank-Governor
7	*Δ690888	Gasket-Cylinder Head	32	690698	Screw (Connecting Rod)	635	692076	Boot-Spark Plug
8	692095	Breather Assembly	33	807681	Exhaust Valve	691	690680	Seal-Governor Shaft
9	*807688	Gasket-Breather	34	807680	Intake Valve	718	806469	Pin-Locating
10	690751	Screw (Breather)	35	692084	Valve Spring (Intake)	741	691530	Gear-Timing
11	806083	Tube-Breather	36	692084	Valve Spring (Exhaust)	812	Δ692055	Nut (Rocker Cover) (Used Before Code Date 01120300).
12	*691684	Gasket-Crankcase	40	692058	Valve Retainer	830	691544	Stud-Rocker Arm (Used Before Code Date 01120300).
13	692059	Screw (Cylinder Head)	42	807683	Valve Keeper	830A	809157	Stud-Rocker Arm (Used After Code Date 01120200).
15	690684	Plug-Oil Drain	45	690977	Valve Tappet			
16	692171	Crankshaft	46	691557	Camshaft	868	691963	Seal-Valve
17	690752	Bearing-Ball	146	691634	Key-Timing	871	805084	Bushing-Guide
18	808847	Cover-Crankcase	192	807623	Adjuster-Rocker Arm	883	*Δ691613	Gasket-Exhaust
20	*805049	Seal-Oil (PTO Side)	276	690701	Sealing Washer	1019	808036	Label Kit
22	692540	Screw (Crankcase Cover)	276A	*Δ691766	Sealing Washer (Used Before Code Date 01120300).	1022	*Δ806039	Gasket-Rocker Cover
25	808326	Piston Assembly (Standard)	276D	807085	Sealing Washer (Used After Code Date 01120200).	1023	691494	Cover-Rocker
		----- Note -----	287	692062	Screw (Dipstick Tube)	1023A	690910	Cover-Rocker
		808336 Piston Assy. (.010" Oversize)	337	491055	Plug-Spark	1025	690689	Spool-Governor
		808337 Piston Assy. (.020" Oversize)	338	691312	Dipstick Gasket	1026	691836	Rod-Push (Steel)
		808338 Piston Assy.	377	808095	Key-Woodruff			----- Note -----
			383	19374	Wrench-Spark Plug	1029	691543	Rocker Arm
			437	691902	Screw (Exhaust Manifold)	1100	690973	Rocker Arm Pivot
						1254	807084	Screw (Rocker Arm Stud)

\* Included in Gasket Set-See Ref. No. 358.  
● Included in Carburetor Kit-See Ref. 121.

Δ Included in Valve Gasket Set-See Ref. No. 1095.

# 350447-1282-E1



Assemblies include all parts shown in frames.

12/01

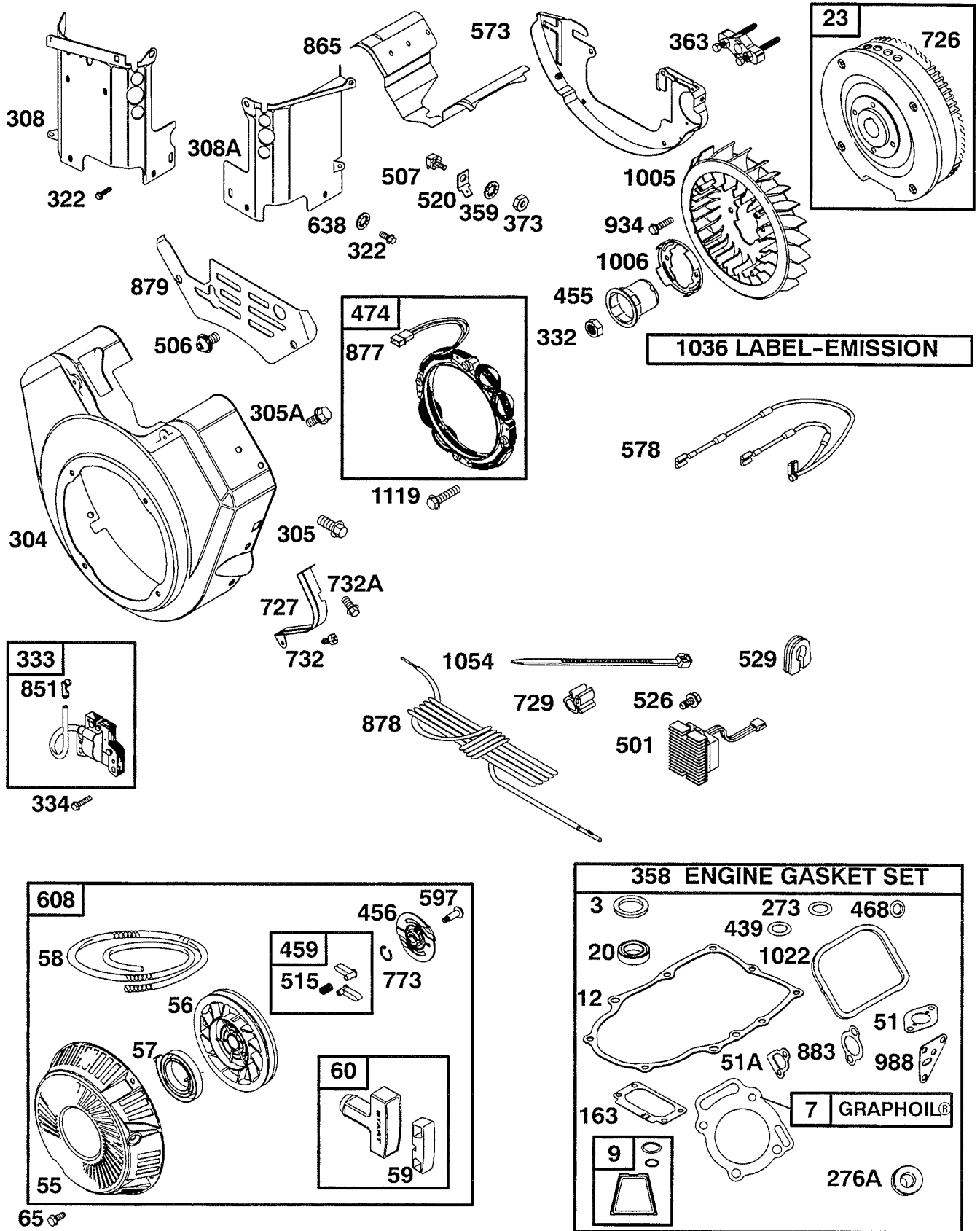
REF. NO.	PART NO.	DESCRIPTION	REF. NO.	PART NO.	DESCRIPTION	REF. NO.	PART NO.	DESCRIPTION
50	690754	Manifold-Intake	187	691050	Line-Fuel (Cut to Required Length)	562	690239	Bolt (Governor Control Lever)
51	★691694	Intake Gasket				601	691038	Clamp-Hose
51A	★△692035	Intake Gasket	188	692056	Screw (Control Bracket)	628	806660	Screw (Pump Bracket)
54	690676	Screw (Intake Manifold)	203	690923	Crank-Bell	633	●690722	Seal-Choke/Throttle-Shaft
91	808396	Body Assembly-Upper	209	806507	Spring-Governor (Black)	633A	806131	Seal-Choke/Throttle Shaft
94	●808399	Valve-Idle Adjustment	211	691553	Spring-Governed Idle (Green)	643	692079	Retainer-Air Filter
95	●690718	Screw (Throttle Valve)	212	690712	Link-Throttle	711	691492	Screw (Carburetor Shield)
97	809062	Shaft-Throttle	216	690705	Link-Choke	788	691559	Bracket-Pump
98	808177	Kit-Idle Speed	222	808454	Bracket-Control	833	692539	Screw (Air Cleaner Mounting Strap)
102	●692077	Gasket-Carburetor Body	227	690236	Lever-Governor Control	833A	690872	Screw (Air Cleaner Mounting Strap)
104	●690723	Pin-Float Hinge	231	●690718	Screw (Choke Valve)	862	692153	Strap-Cleaner Mounting
105	●692078	Valve-Needle	232	692073	Spring-Link	918	393815	Hose-Vacuum (Cut to Required Length)
108	806134	Valve-Choke	240	691035	Filter-Fuel	947	692094	Solenoid-Fuel
109	808398	Choke Shaft	255	●690721	Choke Shaft Bushing	955	807723	Plug-Carburetor
117	●806126	Jet-Main (Standard)	265	691024	Clamp-Casing	967	272490	Filter-Air Cleaner Cartridge
118	808413	Jet-Main (High Altitude)	267	692083	Screw (Casing Clamp)	968	692097	Cover-Air Cleaner
119	690720	Screw (Upper to Lower Carburetor Body)	276B	●690724	Sealing Washer	971	692537	Screw (Air Cleaner Base)
121	808395	Carburetor Overhaul Kit	276C	806137	Sealing Washer	987	●806131	Seal-Throttle Shaft
122	690747	Spacer-Carburetor	365	690711	Screw (Carburetor)	996	691577	Shield-Carburetor
125	809017	Carburetor (Pump Feed)	385	693169	Screw (Fuel Pump)	1004	690743	Duct-Air
127	●690727	Plug-Welch	387	808656	Pump-Fuel	1091	●691516	Cap-Limiter
130	806132	Valve-Throttle	445	394018	Filter-Air	1139	806497	Washer (Fuel Pump Bracket)
133	806961	Float-Carburetor	467	691985	Knob-Air Cleaner			
142	●806128	Nozzle-Carburetor	505	690238	Nut (Governor Control Lever)			
161	691561	Base-Air Cleaner						
163	★692081	Gasket-Air Cleaner						

★ Included in Gasket Set-See Ref. No. 358.

△ Included in Valve Gasket Set-See Ref. No. 1095.

● Included in Carburetor Kit-See Ref. 121.

Assemblies include all parts shown in frames.



Assemblies include all parts shown in frames.

# 350447-1282-E1

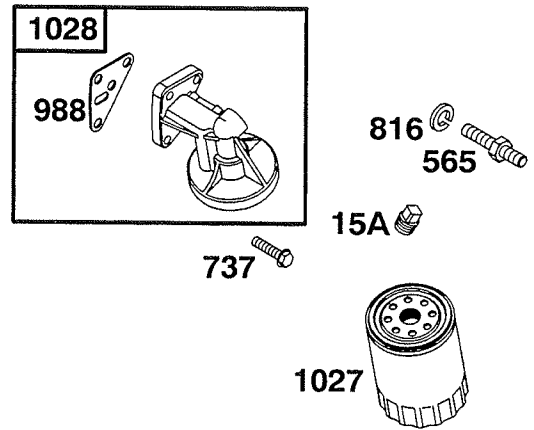
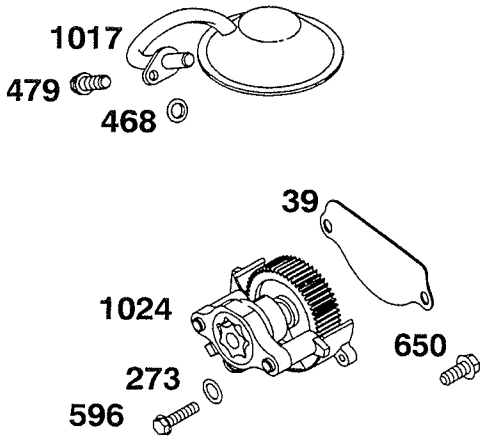
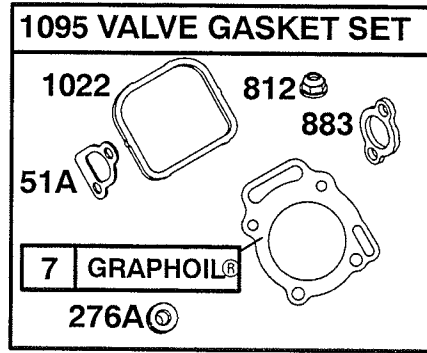
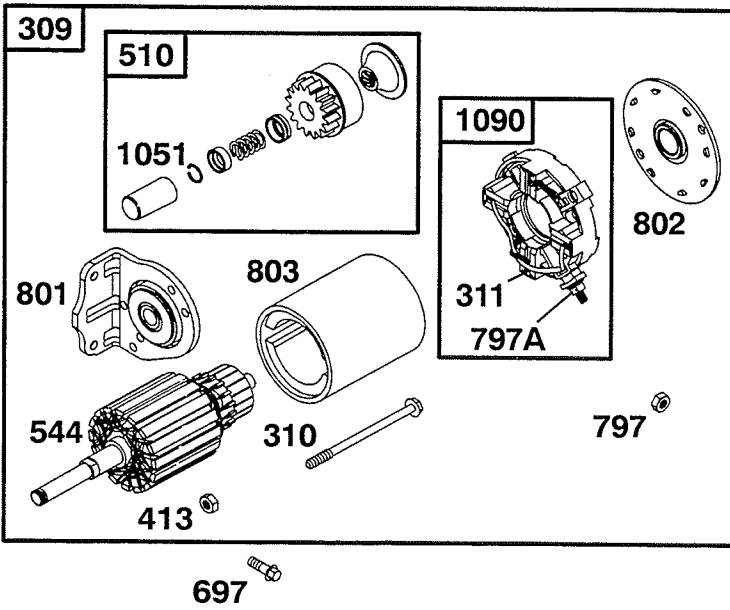
REF. NO.	PART NO.	DESCRIPTION	REF. NO.	PART NO.	DESCRIPTION	REF. NO.	PART NO.	DESCRIPTION
3	*805101	Seal-Oil (Magneto Side)	322	692539	Screw (Cylinder Head Cover)	597	690876	Screw (Pawl Friction Plate)
7	*Δ690888	Gasket-Cylinder Head	332	690887	Nut (Flywheel)	608	692102	Starter-Rewind
9	*807688	Gasket-Breather	333	492341	Armature-Magneto	638	691551	Washer (Cylinder Head Cover)
12	*691684	Crankcase Gasket	334	692066	Screw (Magneto Armature)	726		Gear-Ring (Sold in Flywheel Kit Only)
20	*805049	Seal-Oil (PTO Side)	358	808389	Engine Gasket Set	727	690714	Cover-Starter Drive
23	808772	Flywheel	359	691077	Washer (Ground Terminal)	729	690586	Clip-Wire
51	*691694	Intake Gasket	363	19203	Flywheel Puller	732	805260	Screw (Starter Drive Cover)
51A	*Δ692035	Intake Gasket	373	691612	Nut (Ground Terminal)	732A	692539	Screw (Starter Drive Cover)
55	691568	Housing-Rewind Starter	439	*692154	O-Ring Seal (Crankcase Cover)	773	690875	Retainer
56	692085	Pulley-Starter	455	690864	Cup-Flywheel	851	493880	Terminal-Spark Plug
57	692086	Spring-Rewind Starter	456	691529	Plate-Pawl Friction	865	690750	Cover-Air Guide
58	66574	Rope-Starter (Cut to Required Length)	459	808166	Pawl-Ratchet	877	399916	Wire/Connector-Alternator
59	805957	Insert-Grip	468	*690690	O-Ring Seal (Oil Pump Screen)	878	691362	Harness-Alternator
60	808167	Grip-Starter Rope	474	691364	Alternator	879	690757	Cover-Carburetor
65	691982	Screw (Rewind Housing)	501	691573	Regulator	883	*Δ691613	Gasket-Exhaust
163	*692081	Gasket-Air Cleaner	506	690677	Screw (Carburetor Cover)	934	691058	Screw (Flywheel Fan)
273	*690681	O-Ring Seal (Oil Pump)	507	691972	Insulator	988	*692063	Gasket-Oil Adapter
276A	*Δ691766	Sealing Washer	515	691528	Spring-Pawl	1005	690911	Fan-Flywheel
304	690930	Housing-Blower	520	691084	Ground Terminal	1006	690452	Retainer-Fan
305	692539	Screw (Blower Housing)	526	691547	Screw (Regulator)	1022	*Δ806039	Gasket-Rocker Cover
305A	692056	Screw (Blower Housing)	529	690744	Grommet	1036	806688	Label-Emissions
308	806546	Cover-Cylinder Head	573	690902	Plate-Back	1054	280275	Tie-Cable
308A	806547	Cover-Cylinder Head	578	692319	Wire Assembly	1119	691552	Screw (Alternator)

\* Included in Gasket Set-See Ref. No. 358.  
 • Included in Carburetor Kit-See Ref. 121.

Δ Included in Valve Gasket Set-See Ref. No. 1095.

**Assemblies include all parts shown in frames.**

12/01



Assemblies include all parts shown in frames.



# 350447-1282-E1

REF. NO.	PART NO.	DESCRIPTION	REF. NO.	PART NO.	DESCRIPTION	REF. NO.	PART NO.	DESCRIPTION
7	*Δ690888	Gasket-Cylinder Head	479	692537	Screw (Oil Pump Screen)	801	808777	Cap-Drive
15A	690283	Plug-Oil Drain				802	691286	Cap-End
39	690745	Deflector-Oil	510	496881	Drive-Starter	803	693547	Housing-Starter
51A	*Δ692035	Gasket-Intake	544	693548	Armature-Starter	812	Δ692055	Nut (Rocker Cover)
273	*690681	O Ring Seal (Oil Pump Screen)	565	690682	Stud (Oil Filter Adapter)	816	690706	Washer (Oil Filter Adapter)
276A	*Δ691766	Sealing Washer	596	691492	Screw (Oil Pump)	883	*Δ691613	Gasket-Exhaust
309	691564	Starter Motor (Steel Pinion)	650	692539	Screw (Oil Deflector)	988	*692063	Gasket Oil Adapter
310	690323	Bolt (Starter Motor)	697	692062	Screw (Drive Cap)	1017	690900	Oil Pump Screen
311	497608	Brush Set	737	690679	Screw (Oil Filter Adapter)	1022	*Δ806039	Gasket-Rocker Cover
413	693587	Nut (Starter Motor)	797	691029	Nut (Brush Retainer)	1024	693185	Pump-Oil
468	*690690	O Ring Seal (Oil Pump Screen)	797A	693167	Nut (Brush Retainer)	1027	492932	Filter-Oil (2 1/4" Long)
						1028	808235	Adapter-Oil Filter
						1051	691124	Retaining Ring
						1090	691293	Retainer-Brush
						1095	808391	Valve Gasket Set

\* Included in Gasket Set-See Ref. No. 358.  
 • Included in Carburetor Kit-See Ref. 121.

Δ Included in Valve Gasket Set-See Ref. No. 1095.

**Assemblies include all parts shown in frames.**







**BRIGGS & STRATTON**

®