



Argo 6x6
VANGUARD

Argo 6x6
VANGUARD²

Argo 6x6
BIGFOOT

Argo 8x8
RESPONSE

Argo 
6x6 CONQUEST

Argo 
CONQUEST

OPERATOR'S MANUAL

*Do not remove this
manual from this vehicle.*

Safety!
...always in Season!

A MESSAGE FROM THE PEOPLE WHO BUILT YOUR ARGO

Thank you for selecting an **ARGO** amphibious, off-road utility vehicle!

Ontario Drive & Gear Limited has been building **ARGO** vehicles since 1967. By listening carefully to our customers and responding to their needs, we have been constantly improving the **ARGO** and will continue to do so.

Over thirty thousand **ARGO** vehicles have provided reliable service all over the world. From Britain to the Far East, Alaska to the Antarctic, and from the tropical forests of South America to the deserts of Saudi Arabia. We are proud to provide you with a vehicle that represents the ultimate in amphibious, all-terrain transportation.

Your safety and the safety of all **ARGO** users is of the greatest concern to us. You will find numerous safety statements in this manual. Please read and follow them carefully. Always be safety conscious when you operate your **ARGO** and remember it is a motorized vehicle.

The **ARGO** is easy to drive and you will soon be tempted to take on new challenges. Please take the time to develop your driving skills before doing so. Observe the recommendations outlined in this Operator's Manual and remember; some things are just impossible, even with an **ARGO**.

WELCOME TO THE WORLD WIDE ARGO FAMILY!

673-04 Argo Service Manual

673-04CD Argo Service Manual on CD-ROM

673-25 Argo Service Video

Ontario Drive & Gear has produced resources which provide the Argo owner with step-by-step instructions on how to perform general service procedures on vehicles produced since 1992. Everything from removal and replacement of brake pads to rebuilding the transmission. It's all there. Removal and replacement of engines is included, however, engine overhaul is not. A separate overhaul manual is available for each engine from your Argo dealer. Order these materials from your selling dealer or from Ontario Drive & Gear directly (have your VISA card information ready). Costs are \$15.00 for the paper manual 673-04, \$5.00 for the CD-ROM, or \$33.00 for the 4 hour video.

NOTE

Read this manual *before* you operate your ARGO. It contains safe operating instructions and warns the user about potential hazards that can result in personal injury.

Warnings are identified in the text by the following symbol:



Warning text warns the user about potential hazards that can result in personal injury or death.

Cautions are identified in the text by the following symbol:



Caution text contains cautions that can prevent damage to the vehicle.

This manual is based on the latest product information available at the time of printing. Ontario Drive & Gear Limited reserves the right to make changes at any time and without obligation.

Reproduction of any part of this publication is prohibited without prior written permission.

Une version française du manuel d'opération est disponible sous le numéro suivant 671-04FR. Les plaquettes d'avertissement et d'instructions qui apparaissent sur l'Argo sont aussi disponibles en français sous le numéro suivant 126-73.

© Ontario Drive & Gear Limited, 2000

PREFACE

This manual describes the controls, operation and basic maintenance procedures for all VANGUARD, VANGUARD2, BIGFOOT, RESPONSE and CONQUEST models of the ARGO from date of printing. Please take the time to read this manual carefully, for your safety and that of others. By following these instructions, you will ensure extended, trouble free operation of your vehicle.

For maintenance and adjustment of the engine, refer to the engine manufacturer's operation and maintenance manual included in your vehicle's information package.

Before you drive your ARGO, make sure you understand how to use all controls, particularly the brakes and steering levers. Learn how to drive your vehicle in an open level area, away from buildings, trees and other obstacles, until you are completely familiar with its operating characteristics. Drive very slowly until your driving skills improve, and drive with caution and consideration at all times. The risk of accident or injury is greatest during the first weeks of use. Take special care during this period. ALWAYS RESPECT OUR ENVIRONMENT.

CAUTION TO THE ARGO OWNER/OPERATOR

- Make sure everyone who drives this vehicle receives proper operating instructions and reads this Operator's Manual.
- No one under the age of 16 should be allowed to operate the ARGO. Children under the age of 16 may not have the skills, abilities or judgement needed to operate the Argo safely and may be involved in an accident causing severe injury or death.
- Never allow anyone under the influence of alcohol or any other intoxicating substance to drive or ride in the vehicle.
- Wear an approved safety helmet and eye protection when driving or riding in the vehicle.
- Special operating and safety procedures described in this manual must be observed before and during water operation as outlined in Section 5.
- When operating your vehicle for extended periods of time, we recommend the use of approved hearing protection.
- Equip your vehicle with a fire extinguisher and a first aid kit.
- Equip your vehicle with basic tools for emergency repairs.
- Before starting your engine, check for spilled gasoline and wipe any up immediately. Gasoline is a potentially explosive substance that can cause serious personal injury when ignited.
- Keep the floor pans secured in place at all times. Fingers, feet, animal tails or paws can be injured in the drive components beneath the floor pans. The floor pans also help keep damaging debris out of the drive components.
- Make sure all passengers remain seated while the vehicle is in motion. Advise your passengers to hold onto the vehicle at all times.
- Never overload your vehicle. Trying to steer an overloaded vehicle can overheat the brakes. This will lead to brake fade which means loss of steering control and the ability to stop the vehicle. Overloading your vehicle can lead to premature brake system failures and costly damage to drive chains, axles or bearings. Follow the recommended load capacity for your vehicle listed in Section 1.
- Do not drive the vehicle at high speeds over unfamiliar or rough terrain. Personal injury or vehicle damage may result.
- Certain terrain and steep hills cannot be traversed safely with the Argo or any other vehicle. Do not attempt to drive over terrain that is questionable.
- Do not drive your vehicle on asphalt or concrete roadways. When the vehicle turns, its tires skid on the driving surface. Asphalt or concrete causes extensive tire wear.
- Use common sense at all times when driving your vehicle.
- The Argo engine hood is designed to stay fastened in place while the vehicle is being driven. If the Argo is transported by truck or trailer, the hood should be removed and carried in the transport vehicle or secured in place on the Argo with rope or tie down straps. Wind or turbulence at road speeds could result in the loss of the hood.

IMPORTANT

Operate this vehicle with safety constantly in mind. Off-road vehicles face unpredictable and often hazardous terrain conditions. It is ultimately the operator's responsibility to handle the vehicle safely within its limitations and to decide when and where to travel.

TABLE OF CONTENTS

SECTION		PAGE
1.0	GENERAL INFORMATION	
1.1	AMPHIBIOUS OPERATION	1
1.2	MAINTENANCE PROCEDURES	1
1.3	WIND CHILL FACTOR	1
1.4	MODEL IDENTIFICATION	1
1.4.1	Argo Vehicle Capacity	3
1.5	REAR SEATS - 8 WHEEL MODELS	3
1.6	IDENTIFICATION AND LOCATION OF CONTROLS	4
1.7	INFORMATION LABELS	5
2.0	GENERAL OPERATING INSTRUCTIONS	
2.1	NEW VEHICLE "BREAK-IN" PROCEDURE	6
2.2	PRE-OPERATION CHECKS	6
2.3	CARRYING PASSENGERS AND CARGO	6
2.4	FUELING THE VEHICLE	7
2.5	VENTED FUEL SYSTEM - ALL MODELS	7
3.0	OPERATING INSTRUCTIONS	
3.1	BRAKES AND STEERING	8
3.2	HOLDING BRAKE SYSTEM - Vanguard2, Bigfoot, Response & Conquest	8
3.3	HOLDING BRAKE SYSTEM - Vanguard	9
3.4	THROTTLE CONTROL	9
3.5	STARTING PROCEDURE	9
3.6	STOPPING THE ENGINE	10
3.7	MANUAL STARTING PROCEDURE	10
3.8	SELECTING AND CHANGING TRANSMISSION GEARS	10
3.8.1	Changing Transmission Gears	11
3.9	HEADLIGHTS	11
4.0	DRIVING PROCEDURES	
4.1	DRIVING STRAIGHT AHEAD	12
4.2	STOPPING THE VEHICLE	12
4.3	TURNING THE VEHICLE	12
4.3.1	Left Turn	12
4.3.2	Right Turn	12
4.4	BACKING THE VEHICLE UP	12
4.4.1	Turning the Vehicle While Backing Up	12
5.0	DRIVING PROCEDURES DURING UNUSUAL CONDITIONS	
5.1	REMOTE AREA USE	13
5.2	ANGLE OF OPERATION	13
5.3	UPHILL OPERATION	13
5.4	DOWNHILL OPERATION	13
5.5	SIDE SLOPE OPERATION	14
5.6	AMPHIBIOUS OPERATION - GENERAL	14
5.6.1	Entering Water	15
5.6.2	Driving Procedures in Water	15
5.6.3	Driving Out of Water	15
5.6.4	Outboard Motor Bracket	15
5.7	WINTER OPERATION	16
5.7.1	Use on Ice Covered Bodies of Water	16

TABLE OF CONTENTS

SECTION		PAGE
6.0	OIL, FILTER AND LUBRICATION INFORMATION	
6.1	ENGINE OIL INFORMATION	17
6.1.1	CHECKING THE ENGINE OIL LEVEL	17
6.1.2	RECOMMENDED ENGINE OIL	17
6.1.3	CHANGING ENGINE OIL	18
	Draining the Engine Oil	18
	Refilling the Engine	18
6.2	TRANSMISSION OIL INFORMATION	18
6.2.1	CHECKING THE TRANSMISSION OIL LEVEL	18
6.2.2	CHANGING THE TRANSMISSION OIL	19
	Refilling the Transmission	19
6.3	FILTER INFORMATION	19
6.3.1	AIR FILTER	19
6.3.2	FUEL FILTER	19
6.3.3	OIL FILTER	19
6.4	LUBRICATION INFORMATION	19
6.4.1	GENERAL	19
6.4.2	DRIVEN CLUTCH LUBRICATION	19
6.4.3	DRIVE CHAIN LUBRICATION	20
6.4.4	IDLER CHAIN LUBRICATION	20
6.4.5	OUTER AXLE FLANGE AND BEARING LUBRICATION	21
6.4.6	IDLER SHAFT BEARING LUBRICATION - All Models	21
6.4.7	INNER AXLE BEARING LUBRICATION	21
7.0	MAINTENANCE INFORMATION	
7.1	ELECTRICAL SYSTEM	22
7.1.1	GENERAL	22
7.1.2	BATTERY - Argo Part No. 127-54	22
	Checking Fluid Level	22
	Cleaning the Battery Terminals and Cable Connections	22
	Cleaning the Battery	23
7.1.3	ELECTRICAL SYSTEM FUSES	23
7.1.4	SPARK PLUGS	23
7.1.5	SPARK ARRESTER	23
7.2	DRIVE SYSTEM & TIRES	23
7.2.1	DRIVE BELT	23
	Drive Belt Removal	24
	Drive Belt Installation	24
7.2.2	CLUTCH MAINTENANCE	24
	Clutch Inspection	25
7.2.3	DRIVE CHAINS	25
	Drive Chain Removal	25
	Drive Chain Installation	25
7.2.4	DRIVE CHAIN TAKE-UP SYSTEM	26
	Removal of Slider Blocks	27
	Replacement of Slider Blocks	27

TABLE OF CONTENTS

SECTION		PAGE
	7.2.5 IDLER CHAIN	27
	Idler Chain Adjustment	28
	Idler Chain Replacement	28
	Removal of Idler Chains	28
	Installation of Idler Chains	28
	7.2.6 TIRE INFLATION	29
	7.2.7 TIRE REPAIR AND REPLACEMENT	29
	7.2.8 AXLE BEARING MOUNTING	29
7.3	MECHANICAL BRAKES - VANGUARD	29
	7.3.1 GENERAL	29
	Removal of Firewall	29
	Mechanical Brake Inspection Procedure	30
	7.3.2 BRAKE CALIPER ADJUSTMENT	30
	7.3.3 BRAKE PAD REPLACEMENT	30
	7.3.4 STEERING LEVER ADJUSTMENT	31
	7.3.5 HOLDING BRAKE ADJUSTMENT	31
	Re-installation of Firewall	31
7.4	HYDRAULIC BRAKES - VANGUARD2, BIGFOOT, RESPONSE & CONQUEST ...	31
	7.4.1 GENERAL	31
	7.4.2 BRAKE FLUID LEVEL	31
	7.4.3 CHANGING BRAKE FLUID	32
	7.4.4 HYDRAULIC BRAKE PAD INSPECTION	32
	Firewall Removal	32
	Brake Pad Inspection Procedure	32
	Re-installation of Brake Pads	32
	Re-installation of Firewall	33
	7.4.5 HOLDING BRAKE ADJUSTMENT	33
	7.4.6 BRAKE COOLING SYSTEM	34
	7.4.7 ENGINE COOLING & EXHAUST SYSTEM	34
7.5	MAINTENANCE SCHEDULE	35
8.0	TROUBLESHOOTING	36
9.0	CLEANING AND STORAGE	38
	9.1 CLEANING THE VEHICLE	38
	9.2 STORING THE VEHICLE	38
	Cleaning the Vehicle	38
	Drain the Fuel System	38
	Prepare the Battery for Storage	38
	Protect the Electrical System	38
	Raise the Vehicle	38
	Preparing the Engine for Storage	38
10.0	POTENTIAL HAZARDS	39
11.0	ACCESSORY INFORMATION	
	11.1 GENERAL	43
	11.2 CARGO TIE-DOWNS (Part No. 614-06)	43

TABLE OF CONTENTS

SECTION		PAGE
11.3	ARGO TRACK SYSTEMS (Standard Track and Super Track)	43
11.3.1	Installation Instructions	43
11.3.2	Removal of Argo Tracks	45
11.3.3	Operating Precautions	45
11.3.4	Standard Tracks	45
11.3.5	Super Tracks	45
11.4	ICE CLEAT KIT (Part Nos. 625-20 & 825-20)	45
11.5	OUTBOARD MOTOR BRACKET (Part No. 617-00)	45
11.6	OUTBOARD MOTOR SUPPORT (Part No. 618-00)	46
11.7	OUTBOARD MOTOR BRACKET - SIDE MOUNT (Part No. 618-10)	46
11.8	ARGO STORAGE COVERS (Part Nos. 621-10; 621-20; 821-10; 821-20	46
11.9	POWER WINCH (Part Nos. 622-40 & 622-70)	46
11.9.1	Rules for Safe Operation	46
11.9.2	Tips for Extending the Life of Your Winch	48
11.10	REAR MUD FLAP KIT (Part No. 625-10)	48
11.11	TRAILER HITCH KIT (Part No. 626-10)	48
11.12	BILGE PUMP KIT (Part No. 638-25)	48
11.13	HANDRAIL KITS (Part No. 639-20 & 839-20)	49
11.14	TOW HOOK KIT (Part No. 642-00)	49
11.15	WINDSHIELD (Part No. 648-75)	49
11.16	CONVERTIBLE TOP (Part Nos. 649-33, 649-50 & 849-50)	49
11.17	ALTERNATOR KITS (Part Nos. 650-60, 850-60 & 850-40)	50
11.17.1	Alternator Kit for Conquest	50
11.18	SNOW PLOW KIT (Part No. 657-13)	50
11.19	AMPHIBIOUS TRAILER (Part No. 695-75)	50
11.19.1	Operating Precautions	50
11.20	HEATER KIT - CONQUEST (Part No. 848-10)	50
11.21	ROLL OVER PROTECTIVE STRUCTURES (Part Nos. 848-40-2 & 848-40-4)	51
11.22	REAR BENCH SEAT (Part No. 849-60)	51
11.23	DUMP BOX KIT (Part Nos. 835-00 & 835-01)	51
11.23.1	Dump Box Operating Guidelines	52
11.24	ROLL BAR KIT (Part No. 648-15)	52
11.25	12V ACCESSORY OUTLET KIT (Part No. 633-25)	52
 APPENDIX		
1	SPECIAL TOOLS	
	VICE GRIP MODIFICATIONS	53

SECTION 1 GENERAL INFORMATION

1.1 AMPHIBIOUS OPERATION

All models of the ARGO are amphibious and capable of traversing calm water. Special operating procedures and safety precautions must be observed before entering the water and during amphibious operation. Do not drive your vehicle into water until you have read Section 5.6 Amphibious Operation.

1.2 MAINTENANCE PROCEDURES

Maintenance procedures described in this manual can be carried out by the operator. These procedures include:

1. checking fluid levels
2. changing the engine and transmission oil
3. cleaning and replacing filters
4. preventative maintenance
5. inspections, adjustments, repairs and trouble-shooting

If you perform your own maintenance, carefully follow the lubrication and preventative maintenance schedule (Section 7.5). By following this schedule, you will receive trouble free, long term service from your vehicle. The following comprehensive ARGO service information is available:

- 673-00 1977-1986 ARGO Service Manual
- 673-01 1987 ARGO Service Manual
- 673-02 1988 Supplement
- 673-04 Service Manual
- 673-04CD Service Manual on CD-ROM
- 673-25 Argo Service Video

Your Argo dealer will perform regular maintenance and lubrication for a reasonable service charge.

The trouble-shooting chart (Section 8) contains information for locating and correcting mechanical problems. In many cases, potential problems can be identified by unusual noises, sluggishness or vibration, before they result in a breakdown. Refer to the chart to identify these symptoms. Take immediate corrective action or take the vehicle to an Argo dealer for service.

This manual does not provide detailed maintenance or servicing information for the engine. Refer to the engine manufacturer's manual (supplied with each Argo) for important warranty, service and operating information.

If the engine requires servicing, take the vehicle to an authorized engine service outlet.

1.3 WIND CHILL FACTOR

Why does it feel much colder outdoors on a windy day than when there's no wind, especially in winter?

The cooling effect of the wind makes it feel that it's colder than it really is. This combined effect of wind and low temperature is known as the "wind chill factor".

Argo operators should be aware of the wind chill factor. Dress warmly and make sure exposed skin is protected. Pay particular attention that young passengers are properly "bundled up" with their hands and faces well protected.

WIND CHILL									
Wind Speed									
km/h	8	16	24	32	40	48	56	64	
Actual Temp.(C)									Gradually
0	-2	-8	-11	-14	-16	-17	-19	-19	Increasing
-5	-7	-14	-18	-21	-23	-25	-26	-27	Danger
-10	-12	-20	-25	-28	-31	-33	-34	-35	Dangerous
-15	-18	-26	-32	-35	-38	-40	-42	-43	
-20	-23	-32	-38	-43	-46	-48	-50	-51	
-25	-28	-38	-45	-50	-53	-56	-57	-59	Extremely
-30	-33	-45	-52	-57	-61	-63	-65	-67	Dangerous
-35	-39	-51	-59	-64	-68	-71	-73	-75	
-40	-44	-57	-65	-71	-75	-79	-81	-83	
-45	-49	-63	-72	-78	-83	-86	-89	-90	
-50	-54	-69	-79	-85	-90	-94	-96	-98	

1.4 MODEL IDENTIFICATION

The vehicle identification plate is fastened to the dash. Reference Section 1.6 for the exact location. The model and serial numbers are stamped into it. Model identification starts with "V", followed by five numbers. The four or five digit serial number begins with one of the following prefixes:

- S - 6x6 Vanguard (Mechanical Brakes)
- SN - 6x6 Vanguard2 (Hydraulic Brakes)
- BF - Bigfoot
- RB - 8x8 Response
- C - Conquest 6x6
- CB - Conquest 8x8

Carefully observe the maximum load capacity for your vehicle on land and in water as listed in the following:

SECTION 1

GENERAL INFORMATION

ARGO 6x6 VANGUARD (S)

Serial Number: S-6999
Engine: Briggs & Stratton Vanguard, 480 cc (16 h.p.) V-Twin, 4 cycle, air cooled
Transmission: 2 forward speeds, neutral and reverse
Clutch: Variable speed torque converters
Fuel Capacity: 32 litres (7.0 Imp. Gal., 8.4 U.S. Gal.)
Steering/Brakes: Mechanical, 9" disc with holding brake system
Drive Chains: Double RC-50 roller chain
Electrical: 12 volt D.C. battery, 435 cranking amps at 0 F; 16 Amp magneto type charging system, electronic ignition
Speed: Land - 35 km/h (22 mph)
Water - 3 km/h (2 mph)
Load Capacity: Land - 4 persons or 317 kg (700 lbs.)
SEE SECT.1.4.1 Water - 2 adults or 158 kg (350 lbs.)
Maximum Rear Capacity: Land and Water - 63 kg (140 lbs.)
Tires: 22x10.00-8NHS, 2 ply
Dry Weight: 348 kg (765 lbs.)

ARGO 6x6 BIGFOOT (BF)

Serial Number: BF-9212
Engine: Briggs & Stratton Vanguard, 570 cc (18 h.p.) V-Twin, 4 cycle, air cooled
Transmission: 2 forward speeds, neutral and reverse
Clutch: Variable speed torque converters
Fuel Capacity: 32 litres (7.0 Imp. Gal., 8.4 U.S. Gal.)
Steering/Brakes: Hydraulic, 9" disc with holding brake system
Drive Chains: Double RC-50 roller chain and single RC-60 roller chain
Electrical: 12 volt D.C. battery, 435 cranking amps at 0 F; 20 Amp magneto type charging system, electronic ignition
Speed: Land - 39 km/h (24 mph)
Water - 3 km/h (2 mph)
Load Capacity: Land - 4 persons or 317 kg (700 lbs.)
SEE SECT.1.4.1 Water - 2 adults or 158 kg (350 lbs.)
Tires: 25x12.00-9NHS, 2 ply
Dry Weight: 414 kg (910 lbs.)

ARGO 6x6 CONQUEST (C)

Serial Number: C-12747
Engine: Kawasaki 620 cc (20 h.p.) V-twin 4 cycle, liquid cooled
Transmission: 2 forward speeds, neutral and reverse
Clutch: Variable speed torque converters
Fuel Capacity: 32 litres (7.0 Imp. Gal., 8.4 U.S. Gal.)
Steering/Brakes: Hydraulic, 9" disc with holding brake system
Drive Chains: Double RC-50 roller chain and single RC-60 roller chain
Electrical: 12 volt D.C. battery, 435 cranking amps at 0 F; 20 Amp charging system, battery ignition
Speed: Land - 35 km/h (22 mph)
Water - 3 km/h (2 mph)
Load Capacity: Land - 2 persons or 317 kg (700 lbs.)
SEE SECT.1.4.1 Water - 2 adults or 158 kg (350 lbs.)
Tires: 25x12.00-9NHS, 2 ply
Dry Weight: 450 kg (990 lbs.)

ARGO 6x6 VANGUARD2 (SN)

Serial Number: SN-7888
Engine: Briggs & Stratton Vanguard, 480 cc (16 h.p.) V-Twin, 4 cycle, air cooled
Transmission: 2 forward speeds, neutral and reverse
Clutch: Variable speed torque converters
Fuel Capacity: 32 litres (7.0 Imp. Gal., 8.4 U.S. Gal.)
Steering/Brakes: Hydraulic, 9" disc with holding brake system
Drive Chains: Double RC-50 roller chain
Electrical: 12 volt D.C. battery, 435 cranking amps at 0 F; 16 Amp magneto type charging system, electronic ignition
Speed: Land - 35 km/h (22 mph)
Water - 3 km/h (2 mph)
Load Capacity: Land - 4 persons or 317 kg (700 lbs.)
SEE SECT.1.4.1 Water - 2 adults or 158 kg (350 lbs.)
Maximum Rear Capacity: Land and Water - 63 kg (140 lbs.)
Tires: 22x10.00-8NHS, 2 ply
Dry Weight: 348 kg (765 lbs.)

ARGO 8x8 RESPONSE (RB)

Serial Number: RB-12075
Engine: Briggs & Stratton Vanguard, 570 cc (18 h.p.) V-Twin, 4 cycle, air cooled
Transmission: 2 forward speeds, neutral and reverse
Clutch: Variable speed torque converters
Fuel Capacity: 32 litres (7.0 Imp. Gal., 8.4 U.S. Gal.)
Steering/Brakes: Hydraulic, 9" disc with holding brake system
Drive Chains: Double RC-50 roller chain
Electrical: 12 volt D.C. battery, 435 cranking amps at 0 F; 20 Amp magneto type charging system, electronic ignition
Speed: Land - 30 km/h (20 mph)
Water - 3 km/h (2 mph)
Load Capacity: Land - 6 persons or 454 kg (1000 lbs.)
SEE SECT.1.4.1 Water - 4 adults or 317 kg (700 lbs.)
Tires: 22x10.00-8NHS, 2 ply
Dry Weight: 436 kg (960 lbs.)

ARGO CONQUEST (CB)

Serial Number: CB-10847
Engine: Kawasaki 620 cc (20 h.p.) V-twin 4 cycle, liquid cooled
Transmission: 2 forward speeds, neutral and reverse
Clutch: Variable speed torque converters
Fuel Capacity: 32 litres (7.0 Imp. Gal., 8.4 U.S. Gal.)
Steering/Brakes: Hydraulic Caliper, 9" disc with holding brake system
Drive Chains: Double RC-50 roller chains
Electrical: 12 volt D.C. battery, 435 cranking amps at 0 F; 20 Amp charging system, battery ignition
Speed: Land - 30 km/h (20 mph)
Water - 3 km/h (2 mph)
Load Capacity: Land - 6 persons or 454 kg (1000 lbs.)
SEE SECT.1.4.1 Water - 4 adults or 317 kg (700 lbs.)
Tires: 22x10.00-8NHS, 2 ply
Dry Weight: 465 kg (1025 lbs.)

SECTION 1

GENERAL INFORMATION

1.4.1 Argo Vehicle Capacity

CAUTION

Vehicle capacity includes occupants, cargo, fuel, and all accessories. Capacity for occupants and cargo is reduced by the weight of accessories as shown in the chart below.

Available vehicle capacity must be reduced if your vehicle is equipped with any accessories. Reduce the available capacity by the total weight of accessories fitted to your vehicle.

Accessory On Vehicle	Reduce By		On	
	On Land		Water	
Regular Tracks 6x6	135 lbs. (60 kg)		85 lbs. (40 kg)	
Regular Tracks 8x8	175	(80)	110	(50)
Supertracks 6x6	145	(65)	90	(40)
Supertracks 8x8	210	(95)	135	(60)
Winch Kit	50	(23)	50	(23)
Brush Guard	11	(5)	11	(5)
Windshield	33	(15)	33	(15)
Roll Bar 6x6	50	(23)	50	(23)
ROPS 6x6	130	(60)	SEE WARNING	
ROPS 8x8	140	(64)	140	(64)
Half Top	16	(7)	16	(7)
Full Top 8x8	27	(12)	27	(12)
Full Top 6x6	22	(10)	22	(10)
Snow Plow	190	(85)	SEE WARNING	
Dump Box	100	(45)	500	(225)
Rear Bench Seat	34	(15)	34	(15)

WARNING

Do NOT use an Argo on water when equipped with a snow plow. Do NOT use an Argo 6x6 in water when equipped with a ROPS. The increased weight of the snow plow out front or the top-heavy weight of the ROPS on the 6x6 will make the Argo unstable and could cause the vehicle to capsize, causing injury or drowning to the driver and passengers.

1.5 REAR SEATS - 8 WHEEL MODELS

Argo 8 wheel models are fitted with “quick-release” rear seats.

Removal

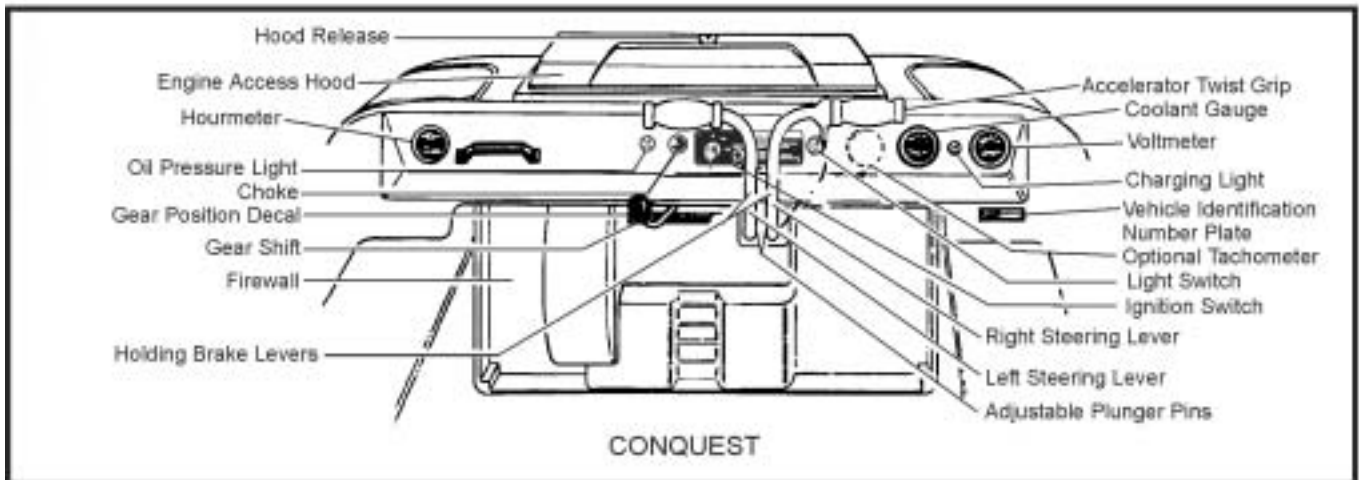
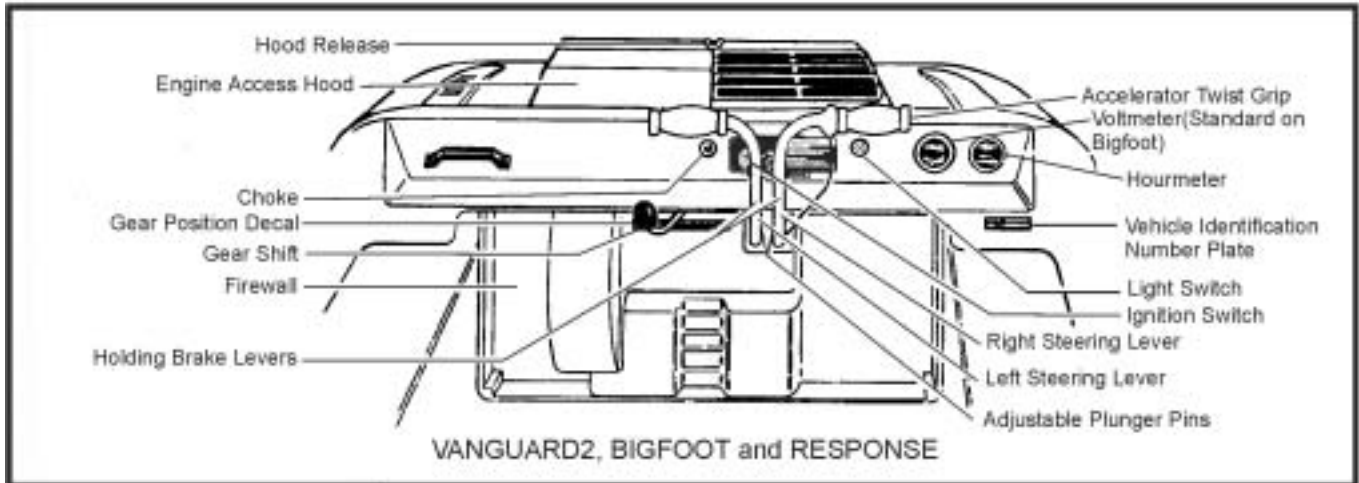
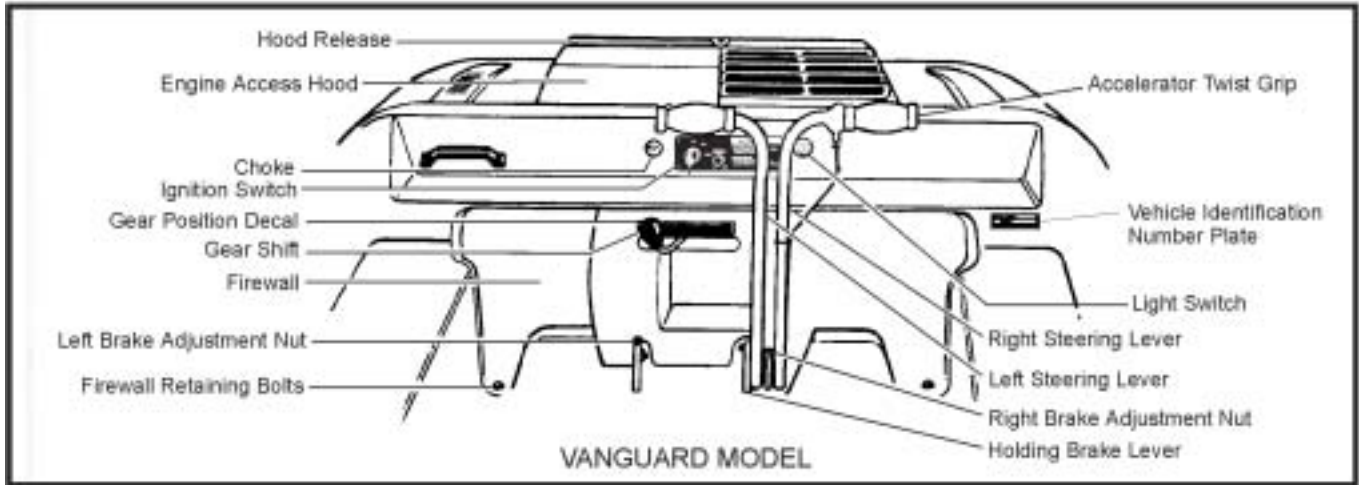
1. Grasp the inner edge of the rear seat at both ends.
2. Lift the inner edge of the rear seat upwards until both plastic bumpers are clear of the upper body.
3. Using an upward motion, pull the seat toward the centre of the rear compartment.
4. Remove the seat.

Installation

1. Place the rear seat over the seat mounting holes in the upper body. Insert the large seat washers through the holes.
2. Using downward pressure, slide the seat towards the outside of the vehicle to lock it in place.

SECTION 1 GENERAL INFORMATION

1.6 IDENTIFICATION AND LOCATION OF CONTROLS



SECTION 1 GENERAL INFORMATION

1.7 INFORMATION LABELS

There are labels on all models which indicate operating hazards and provide special operating instructions. Information about the use of the holding brake system, the use of the vehicle in water, correct fueling procedures and placement of the floorpans has been provided on distinctive coloured labels fastened to the various locations on the Argo.

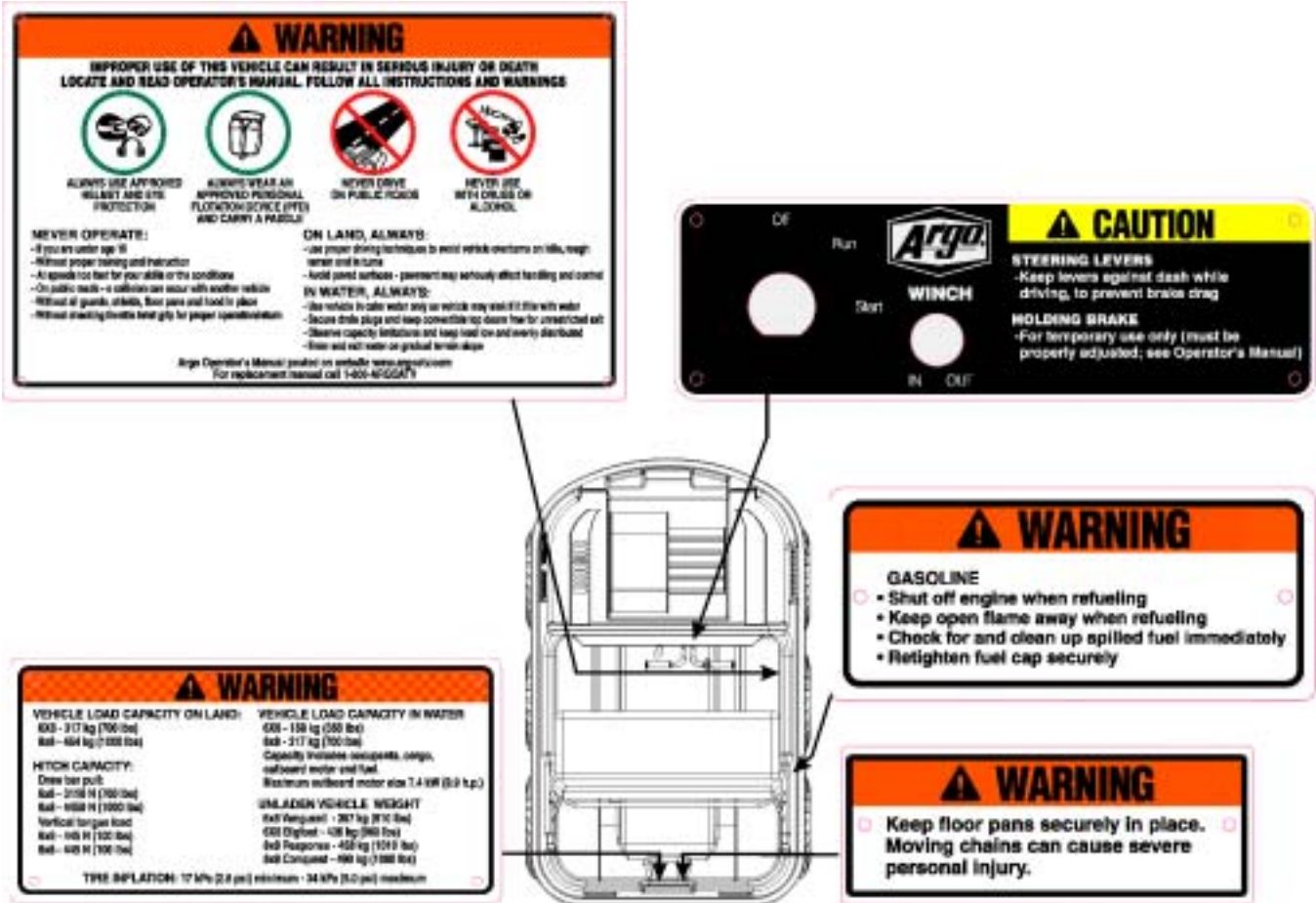


Figure 1-1 Location of Information Labels - All Models

The label shown below is located behind the seat in the rear compartment of all 6-wheel models.



Figure 1-2 Rear Compartment Capacity Label - All 6x6 Models

SECTION 2

GENERAL OPERATING INFORMATION

2.1 NEW VEHICLE "BREAK-IN" PROCEDURE

To obtain long term, trouble free service from your vehicle, observe the following break-in guidelines:

1. Vary the speed of the vehicle for the first tank of fuel. Avoid full throttle operation during break-in period.
2. Check engine and transmission oil levels daily during break-in period.
3. Change the transmission oil after initial 20 hours of operation, or after 2 tanks of fuel have been used. Failure to do so can result in damage to the transmission bearings or gear surfaces. Refer to Section 6.2.2 for transmission oil changing instructions.
4. Change the engine oil in the Vanguard engine after the first 8 hours of operation and in the Kawasaki after the first 20 hours. Refer to Section 6.1.3 of this manual and the oil change section of each engine owner's manual for oil change information.
5. Check the idler chain adjustment each day before driving the vehicle, and after the initial 2 hours of operation. Refer to Section 7.2.5 for idler chain inspection and adjustment information.
6. Never overload your vehicle. Trying to steer an overloaded vehicle can overheat the brakes. This will lead to brake fade which means loss of steering control and the ability to stop the vehicle. Overloading the vehicle can lead to premature brake system failures and costly damage to drive chains, axles or bearings. Follow the recommended load capacity for the vehicle listed in Section 1.4.
7. Do not allow the brakes to drag, particularly during the first 10 hours of operation. To maximize brake pad life, start by making several low speed turns to both sides. Allow the brakes to cool by driving in a straight line. Repeat the low speed turns. Allow the brakes to cool again. This procedure will properly seat the brake pad friction material to the brake disc. The steering levers should be fully forward, against the dash, during straight ahead operation. Dragging the brakes will cause overheating of the brake components and result in brake fade.
8. The axle flange gaskets and bearing extension gaskets have a tendency to settle on new machines which could result in a loosening of the flange and extension bolts. Check and if necessary re-torque the bolts to 30 ft. lbs. (360 in. lbs.) See Section 7.2.8.

2.2 PRE-OPERATION CHECKS

Carefully follow the engine manufacturer's recommended pre-operation/daily checks as well as the following:

1. Check the fuel level in the see-through tank located under the driver's seat.
2. Check the air pressure in all tires. NOTE: Improperly inflated tires can cause the vehicle to pull to one side, requiring constant steering correction. See Section 7.2.6 for tire pressure specifications.
3. Test the operation of the twist grip throttle control by turning it to the fully open position and releasing it. The throttle must operate smoothly and return automatically to the fully closed position. Take the vehicle to an ARGO dealer if the twist grip requires adjustment.
4. Check the steering lever travel by pulling both steering levers fully to the rear. See Section 7.3.4 for proper adjustment details.
5. Check the engine intake and exhaust screen for obstructions. Clear any debris that has accumulated.

2.3 CARRYING PASSENGERS AND CARGO

1. Keep cargo as low as possible and evenly distributed.
2. Use extreme CAUTION when negotiating inclines with a loaded vehicle. Heavy loads and high loads decrease the stability of the vehicle and may cause it to roll. Be prepared to shift occupant weight and load forward or have passengers get out of the vehicle to climb an incline.
3. Secure cargo to prevent it from shifting while driving.
4. Do not mount any heavy fixtures to the upper body without support to the vehicle frame. The added weight may cause body deformation that could result in the tires rubbing through the body.

WARNING

The rear compartment capacity of all 6 wheel ARGO vehicles is 65 kg (140 lbs.) MAXIMUM. Exceeding this weight limitation will decrease the stability of the vehicle on inclines and increase the possibility of rolling over backwards when climbing a grade. Do NOT exceed this weight in the rear compartment.

SECTION 2

GENERAL OPERATING INFORMATION

Make sure all passengers riding in an ARGO equipped with tracks and ice cleats are informed to keep hands, feet and clothing inside the vehicle, well away from the tracks and ice cleats, while the ARGO is in motion. Serious injury or death could result from getting caught by the ice cleats.

2.4 FUELING THE VEHICLE

WARNING

Gasoline is extremely flammable and can explode under certain conditions. Do not add fuel while the engine is running or hot. If fuel is spilled in, on or around the vehicle, wipe it up immediately. Flush out any fuel spilled in the vehicle with water and allow it to drain out through the drain plug holes. Do not smoke when filling the fuel tank.

Use clean, fresh, unleaded gasoline in all models of the ARGO. Minimum 87 octane fuel is recommended.

Leaded gasoline can be used as a substitute fuel. However, if leaded gasoline is used, the engine will require more frequent servicing.

Never use gasoline containing methanol or white gas since engine or fuel system damage could occur.

All models of the ARGO are equipped with a 32 litre (7.0 Imp. Gal., 8.4 U.S. Gal.) “see-thru” polyethylene fuel tank located underneath the driver’s seat. depending on loading and driving conditions, an ARGO can be driven for 7 to 12 hours on one tank of fuel. Verify your vehicle’s actual fuel consumption *before* attempting any long trips. Never travel in remote areas or set out on long trips *without* a full tank of fuel and adequate spare fuel stored in approved watertight fuel containers.

The fuel filler neck and fuel cap are located on the right side of the vehicle behind the driver’s seat. Replace the fuel cap if fuel leakage occurs, or if moisture is detected in the fuel. Use ARGO Part No. 126-46 fuel cap.

Never fill the tank to the point where the fuel level rises into the filler neck. If the tank is overfilled, heat may cause the fuel to expand and overflow through the vent.

Portable fuel containers may contain contaminants (dirt, water, etc.) that will cause engine operating problems. Use only clean, approved gasoline containers.

After filling the fuel tank, be sure the fuel cap is replaced securely. Do not drive the vehicle unless the fuel cap is properly in place.

CAUTION

Never use untreated gasoline that has been stored for more than 45 days. Stale gasoline can cause deposits to form in the fuel lines and carburetor. These deposits clog the fuel system and cause engine starting and operating problems.

When storing the ARGO for 45 days or more, use ARGO Part No. 127-77 Fuel Stabilizer to treat fuel in the fuel tank and fuel containers.

2.5 VENTED FUEL SYSTEM - ALL MODELS

All ARGO models have fuel systems that are vented through a special hose connected to the filler neck assembly that runs along the upper body to a fitting at the left rear.

WARNING

When installing the Handrail Kit, Convertible Top Kit or Outboard Motor Bracket; Since the fuel vent hose runs along the under side of the upper body, care must be taken when drilling mounting holes. The fuel vent hose could be pierced during the drilling process, resulting in a dangerous fuel leak into the vehicle and a costly repair procedure.

SECTION 3 OPERATING INSTRUCTIONS

3.1 BRAKES AND STEERING

The right and left steering levers are used to turn and stop the vehicle when it is moving forward or in reverse. When the right steering lever is pulled back, the vehicle turns to the right (Figure 3-1). When the left steering lever is pulled back, the vehicle turns to the left (Figure 3-2). To stop the vehicle, pull both steering levers back evenly (Figure 3-3).

The ARGO is a skid steer vehicle. During a turn, the rear of the vehicle swings outward as the vehicle pivots on the front tire on the inside of the turn. To make a right hand turn, the rear of the vehicle skids out to the left. To make a left hand turn, the rear of the vehicle skids out to the right.

⚠ WARNING

When turning, the back of the vehicle swings to the opposite direction of the turn. 8-wheel vehicles swing out further than 6-wheelers. Always take care to avoid hitting persons or objects with the rear of the vehicle! Serious injury or death can result!

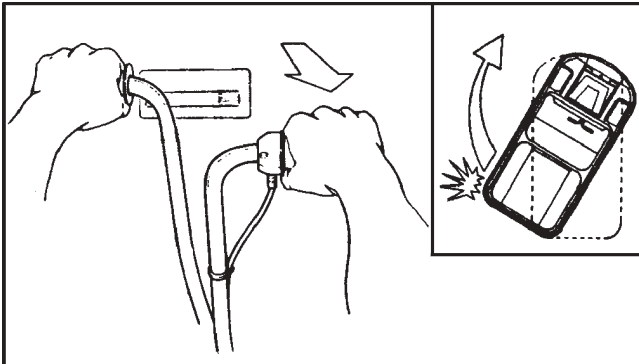


Figure 3-1. Making a right hand turn

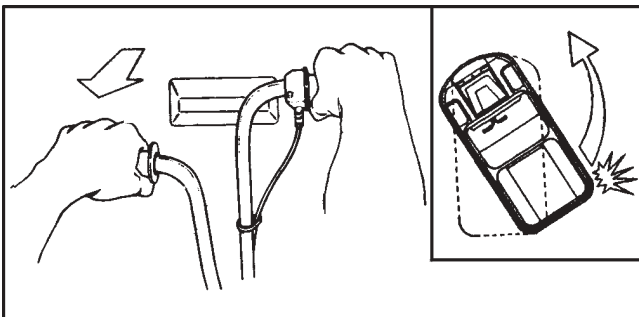


Figure 3-2. Making a left hand turn

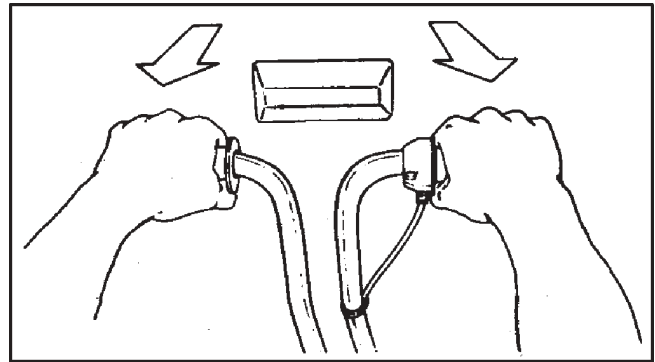


Figure 3-3. Stopping the vehicle

3.2 HOLDING BRAKE SYSTEM -

VANGUARD2, BIGFOOT, RESPONSE & CONQUEST Models

All VANGUARD2, BIGFOOT, RESPONSE & CONQUEST models have holding brake levers between the steering levers.

⚠ WARNING

The holding brake system is not a parking brake, and therefore is not designed to hold the vehicle in place for long periods of time. The holding brake is for short term use only.

When parking on an incline, engage the holding brake levers, leave the vehicle in gear, turn the engine off and block the vehicle's wheels.

When in use, the holding brake system keeps the steering levers locked in the full braking position.

To apply the holding brake system:

1. Pull the steering levers back fully.
2. While holding the steering levers back, push each holding brake lever down until it rests against each steering lever holding brake stop.
3. Release the steering levers so that they rest against the holding brake adjuster screws.

To release the holding brake system:

1. Pull the steering levers back.
2. The spring-loaded holding brake levers will release automatically. When not in use, the holding brake levers rest against the bottom edge of the dash.

SECTION 3 OPERATING INSTRUCTIONS

3.3 HOLDING BRAKE SYSTEM - VANGUARD

The VANGUARD has a holding brake lever installed at the base of the left hand steering lever.

⚠ WARNING

The holding brake is not a parking brake. When parking on an incline, engage the holding brake, leave the vehicle in gear, turn the engine off and block the vehicle's wheels.

To apply the holding brake system:

1. Pull the left steering lever back.
2. While holding the steering lever back, lift the holding brake lever up so it engages the steering lever holding brake pin.
3. Release the steering lever against the holding brake lever.

To release the holding brake system:

1. Pull the steering lever back.
2. The spring-loaded holding brake lever will release automatically. When not in use, the holding brake lever will rest against the bottom of the steering lever.

3.4 THROTTLE CONTROL

Vehicle speed is controlled by the throttle twist grip. To increase vehicle speed, turn the twist grip as shown in Figure 3-4. To decrease vehicle speed, release the twist grip so the engine returns to idle.

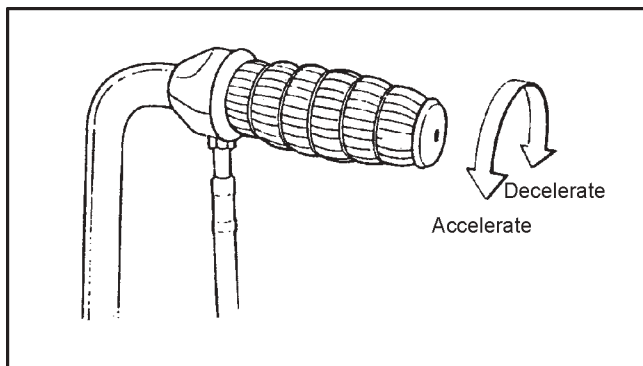


Figure 3-4. Operation of the throttle twist grip

3.5 STARTING PROCEDURE

⚠ WARNING

Never start or run the engine in a closed building or confined area. Engine exhaust gases contain poisonous carbon monoxide. Carbon monoxide is odourless, colourless and can cause serious personal injury or death.

All ARGO models are equipped with key operated, electric start systems. Starting procedure is identical for all models. To start the vehicle, proceed as follows:

1. Place the gearshift in the neutral (N) position.
2. Use the choke if the engine is cold. Briggs & Stratton engines are equipped with a spring loaded choke that will have to be held out. The Conquest choke is operated by flipping the choke lever up. Once the engine is started, flip it back down.
3. Open the accelerator twist grip control 1/8 turn.
4. Turn the key to the "START" position. (See Figure 3-5)

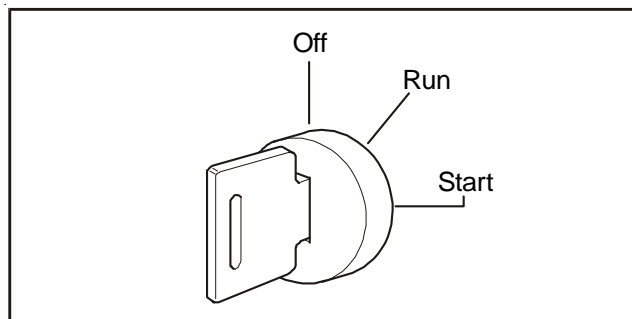


Figure 3-5. Ignition Switch

⚠ CAUTION

Do not operate the starter continuously for more than 5 seconds or the starter may overheat. Wait 30 seconds between each operation of the starter to let it cool and the battery power recover. Never attempt to restart the engine until the engine completely stops. Always remove key from switch when leaving vehicle unattended or when vehicle is not in use.

5. Release the key as soon as the engine starts: the key will automatically return to the "RUN" position.
6. Release the twist grip control and allow the engine to come to an idle.

SECTION 3 OPERATING INSTRUCTIONS

7. Push the choke in halfway after the engine starts, and push it in all the way as the engine warms up.
8. If the engine fails to start, refer to the trouble-shooting chart in Section 8 for corrective action.

3.6 STOPPING THE ENGINE

Release the throttle twist grip. Let the engine speed return to idle and turn ignition switch to the "OFF" position. Always remove key from ignition switch when leaving the vehicle unattended.

3.7 MANUAL STARTING PROCEDURE

VANGUARD, VANGUARD2, BIGFOOT & RESPONSE models can be manually started using the recoil starter on the Vanguard engine.

1. Turn the key to the "RUN" position.
2. Place the gearshift in the neutral (N) position.
3. Pull out the choke if the engine is cold.
4. Remove the engine compartment hood.
5. Grasp starter grip as illustrated and pull slowly until recoil engages (Figure 3-6).
6. Open the accelerator twist grip control 1/8 turn, then pull cord rapidly to overcome compression, prevent kickback and start engine. Repeat if necessary with choke pushed in slightly.
7. When engine starts, push choke in gradually.

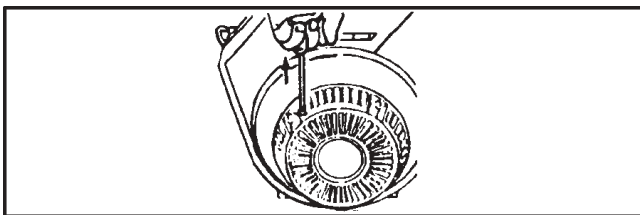


Figure 3-6. Recoil Starter - Vanguard Engine

NOTE

NO MANUAL STARTING PROCEDURE IS AVAILABLE FOR THE CONQUEST.

3.8 SELECTING AND CHANGING TRANSMISSION GEARS

All models for the ARGO are equipped with a four position transmission. The gearshift lever extends through the firewall and is moved to the right or left into one of four positions (See Figure 3-7):

- * REV (Reverse) - for backing up the vehicle
- * N (Neutral) - for starting the engine or idling
- * LOW - for use when extra pulling power or very low speed is required in rough terrain.
- * HIGH - for general use at normal operating speeds.

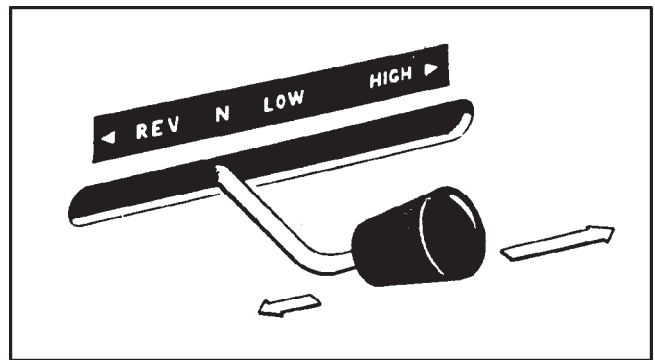


Figure 3-7. Direction of gearshift travel and gear positions

To shift from N (neutral) position into the desired gear:

1. Apply the brakes by pulling back both steering levers.

CAUTION

Do not attempt to move the gearshift from the neutral (N) starting position until the engine idles down completely. The ARGO is equipped with an automatic clutch that is activated by engine speed. If the engine idle speed is too high, the transmission will grind during gear engagement.

2. After the engine has idled down completely, lift up on the gear shift lever and move it with a quick movement to the selected gear.

NOTE: You will find it easier to engage high gear if the gear shift is first moved to reverse (REV), then directly over to HIGH with one quick movement.

SECTION 3 OPERATING INSTRUCTIONS

CAUTION

If any resistance or grinding is experienced, shut off the engine, select the desired gear and restart the engine. Do not try to force the gear shift into position. Damage to the transmission can occur if the gearshift is forced. Have your dealer correct the problem if the gear grinding is experienced during shifting.

3. Use the gear position decal only as a guide for finding the gear position. Make sure you feel the detent which indicates the selected gear is properly engaged.

3.8.1 Changing Transmission Gears

DO NOT CHANGE TRANSMISSION GEARS WHILE THE VEHICLE IS MOVING. To change gears, bring the vehicle to a complete stop, let the engine idle down completely, and move the shift lever to the selected gear as described above.

3.9 HEADLIGHTS

All ARGO vehicles are equipped with 2 headlights that are operated through the dash mounted light switch. To turn the lights on, pull the light switch out.

CAUTION

Do not leave the lights on for any length of time when the engine is not running. Leaving them on will drain the battery.

Always turn the ignition switch to the 'OFF' position when turning off the engine. On CONQUEST, RESPONSE & BIGFOOT models and optional on VANGUARD2 models, the brake cooling system remains operational in the 'RUN' position after the engine has been turned off.

Avoid frequent starting of the engine and extensive idling. Both will lead to a drain of the battery because the electrical draw is greater than the charging rate at engine idle.

SECTION 4 DRIVING PROCEDURES

4.1 DRIVING STRAIGHT AHEAD

Shift the transmission into LOW or HIGH. Hold both steering levers straight ahead against the dash (See Figure 4-1). Turn the throttle twist grip slowly until the clutch system engages and the vehicle moves forward.

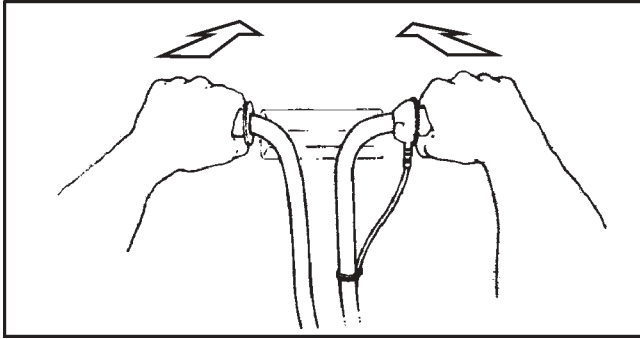


Figure 4-1. Position of steering levers for straight ahead operation

4.2 STOPPING THE VEHICLE

Allow the throttle grip to return to the idle position. Pull back evenly on both steering levers.

⚠ WARNING

Do not pull back abruptly on the steering levers. The brakes are very effective, and sudden braking may cause you or your passengers to be thrown from the vehicle. Never use excessive force on the steering levers to apply the brakes. This can cause tremendous pressure in the master cylinders and brake calipers, resulting in component failure.

When driving the vehicle, do not “ride” the brakes. Hold the steering levers against the dash unless you are turning or stopping the vehicle. If the levers are not against the dash, the brakes are engaged, causing the brake pads to contact the brake discs. This will cause excessive heat, brake fade and lead to premature wear.

4.3 TURNING THE VEHICLE

The ARGO is a skid steer vehicle. The rear of the vehicle swings outward during a turn. Always take precautions when making turns to avoid hitting persons or objects. The proper way to make a wide turn is illustrated in Figure 4-2. Make a series of short turns. Hold the steering lever against the dash between turns. Riding the brakes while making turns will result in excessive heat, brake fade and lead to premature brake wear.

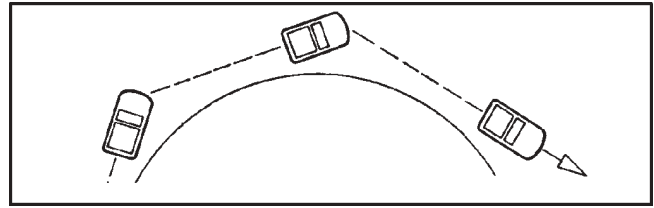


Figure 4-2. Correct method of making a wide turn

⚠ WARNING

Sharp turns, especially at high speeds or when heavily loaded, may cause the vehicle to roll over. Slow the vehicle down before making a turn. Do not apply the brakes too suddenly.

4.3.1 Left Turn

To make a left turn, pull back on the left steering lever to stop the wheels on the left side of the vehicle. When the turn has been completed, return the left steering lever forward against the dash.

4.3.2 Right Turn

Pull the right steering lever back and return it to the dash when the turn has been completed.

4.4 BACKING THE VEHICLE UP

With the engine at idle, shift the transmission into reverse. Hold the steering levers forward against the dash. Turn the throttle twist grip slowly until the clutch engages and the vehicle moves backwards. Increase speed by gradually turning the accelerator twist grip.

4.4.1 Turning The Vehicle While Backing Up

Pull the left steering lever back to make a turn to the left. Pull the right steering lever back to make a turn to the right.

When turning the vehicle while backing up, the rear of the vehicle swings in the direction of the turn. This is unusual for most people who are not familiar with skid steer vehicles. Carefully practice backing up and turning in an open area until you become accustomed to this procedure. Take precautions to avoid hitting persons or objects.

⚠ WARNING

Do not push against the firewall with your knees. Damage to the firewall and serious personal injury can result from the driven clutch wearing through the firewall.

SECTION 5

DRIVING PROCEDURES IN UNUSUAL CONDITIONS

5.1 REMOTE AREA USE

When traveling in remote areas or when traveling long distances, the following items are essential:

- a first aid kit
- a complete survival kit
- protective clothing and footwear
- waterproof safety matches
- candles
- emergency flares
- communications equipment
- adequate fuel supply in approved, watertight containers
- fire extinguisher
- manual starting rope or back-up battery
- basic mechanic's tools and Argo spare parts

Before venturing into remote areas, carry out all inspections, adjustments and lubrication checks detailed in this manual. Do not proceed unless your vehicle is in good working condition.

Inform someone of your departure and return plans and your route so that help can be dispatched if you do not return as scheduled. Do not travel into a remote area alone.

Choose your equipment and supplies to meet the climate and terrain conditions that you may encounter.

Practice safe driving habits when traveling in remote areas. Avoid terrain that may be impassable.

5.2 ANGLE OF OPERATION

When operating any Argo vehicle on an angle, (up and down hills or across uneven terrain that causes the vehicle to tilt in any direction) the engine oil level and fuel delivery to the engine is affected.

If the engine oil level falls below the oil pump intake, damage can occur because of inadequate lubrication. To avoid engine damage and costly repairs:

- Do not operate your engine continuously on angles or inclines that are greater than 30 degrees in any direction.
- Make sure the engine oil level is near the "full" mark (However, do not overfill.)

The engine may also starve for fuel if the angle of operation is excessive. An engine starved for fuel is likely to sputter and

hesitate, and may cause the vehicle to "buck." This can lead to loss of control and rollover. To prevent this, do not operate the vehicle on slopes greater than 30 degrees.

5.3 UPHILL OPERATION

WARNING

Never accelerate or brake suddenly while driving up or down a hill. Sudden acceleration or braking can cause the vehicle to roll over, causing serious personal injury or death.

The rear compartment capacity of all 6 wheel ARGO vehicles is 65 kg (140 lbs.) MAXIMUM. Exceeding this weight limitation will decrease the stability of the vehicle on inclines and increase the possibility of rolling over backwards when climbing a grade. Do NOT exceed this weight in the rear compartment.

Never attempt to turn the vehicle around on a steep hill or grade. Turning the vehicle around on a hill can result in the vehicle rolling over.

Approach the hill head on to minimize the possibility of sliding sideways or rolling over. Accelerate slowly to prevent loss of traction. When traction is lost, the vehicle may slide sideways or backwards. If this occurs, apply the brakes gently and evenly to stop the slide. Allow the vehicle to coast to the bottom of the hill by carefully releasing the brakes.

Try to avoid steep hills. When a steep hill can't be avoided, be prepared to shift occupant weight forward, or have them get out of the vehicle to prevent the vehicle from rolling over. As a general rule, driving up a steep hill greatly increases the possibility of rolling over.

5.4 DOWNHILL OPERATION

Always approach the hill head on to minimize the possibility of sliding sideways, or rolling over. Gently apply the brakes to control downward vehicle speed. Do not jam on the brakes while traveling downhill. Sudden braking can cause the vehicle to roll over frontwards.

An alternative to applying the brakes while going down a gentle decline is to use engine braking. Select low range and keep the engine speed up just enough to keep the clutch engaged.

Avoid steep declines when possible. When a steep decline cannot be avoided, shift occupant weight to the rear of the vehicle to prevent the vehicle from rolling over. As a general rule, driving the vehicle down a steep decline greatly increases the possibility of rolling over.

SECTION 5

DRIVING PROCEDURES IN UNUSUAL CONDITIONS

5.5 SIDE SLOPE OPERATION

Do not drive your vehicle across the side of a hill. Side slope operation greatly increases the risk of rolling the vehicle over sideways.

Prolonged side slope operation may cause engine damage. Observe the engine angle of operation limitations in Section 5.2.

Operation on side slopes will require frequent use of the brakes for steering correction since the vehicle tends to head downhill. This may cause brake overheating or fade.

5.6 AMPHIBIOUS OPERATION - GENERAL

⚠ WARNING

ARGO vehicles may sink if they fill with water. If water starts entering the vehicle, head to the nearest shore immediately. Be prepared to abandon the vehicle if it appears that the vehicle will fill with water before you reach the shore. Be especially cautious when operating a loaded vehicle (cargo and/or passengers) in water. Observe the capacity limits.

All ARGO vehicles are self-propelled, amphibious vehicles, capable of navigating calm water, provided the following precautions are observed:

1. Do not enter water if the vehicle is overloaded. Refer to Section 1.4 of this manual for recommended load capacity in water.
2. Do not use seat belts or any passenger restraining device while operating an ARGO in water. If an emergency arises, you and your passengers may have to leave the vehicle quickly.
3. Do not attempt to cross large bodies of water. Stay close to the shore in case an emergency arises and you have to leave the water.
4. Do not attempt to navigate any body of water with a strong current. Avoid water operation under windy conditions.
5. Use extra caution when operating the ARGO in cold water. If the vehicle upsets or swamps, exposure in cold water significantly reduces the chance of survival.

6. Be prepared to adjust the position of cargo and passengers so the vehicle floats level.

7. Care must be taken when encountering submerged obstacles that may upset the vehicle.

Observe the following safety precautions BEFORE entering the water:

1. All occupants must wear an approved personal flotation device (PFD) or life jacket while traveling in water.
2. Equip the vehicle with a paddle and bailing can. An optional bilge pump kit (ARGO Part No. 638-25) is available from your ARGO dealer and is recommended for water operation.
3. Lift the rear floor pan and make sure both drain plugs in the rear of the lower body (Figure 5-1) are in place and properly tightened. To install, seat the rubber portion of the drain plug properly in the lower body hole and push the lever down to lock plug in place (Figure 5-2). Check that the plug is firmly in place. To tighten the drainplug, lift the lever up and turn the lever clockwise until it is snug when the lever is pushed down. Replace worn or inoperative drain plugs with ARGO Part No. 100-18.

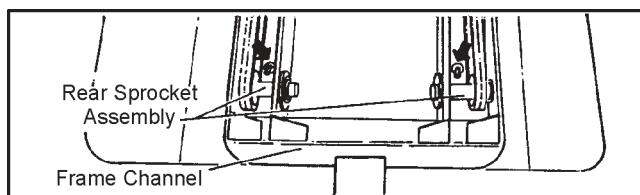


Figure 5-1. Location of rear drain plugs

4. Visually check the lower body of the vehicle for cuts, punctures or holes that will allow water to enter the vehicle.
5. Make sure that any cargo in the rear of the vehicle is evenly distributed.
6. Periodically inspect the outer bearing flange and gaskets of each axle (Figure 5-3) to ensure they are water tight. If there are signs of water leaking into the lower body, take corrective action before entering water again. Make sure there is sufficient grease in the bearing flange and that the grease seal is in good condition.

SECTION 5

DRIVING PROCEDURES IN UNUSUAL CONDITIONS

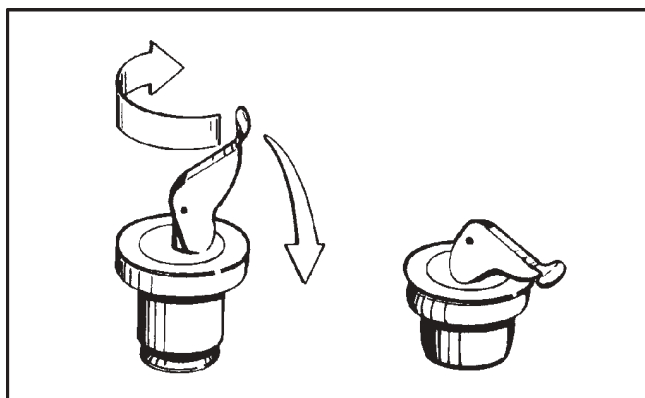


Figure 5-2. Tightening and locking the drain plugs

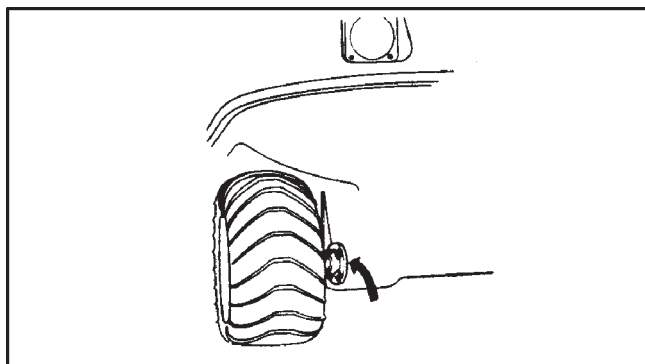


Figure 5-3 Outer bearing flange sealing area

NOTE

Always observe the recognized rules of boating while traveling in water.

5.6.1 Entering the Water

The point of entry should be free of rocks, stumps and other obstacles. Enter the water from a firm, gradual slope whenever possible. With the wheels partially submerged but still in contact with the bottom, stop and check thoroughly for water entering the lower body.

If a leak is detected, drive back onto shore. Drain the vehicle and repair the leak before re-entering the water.

If the body of water must be entered from a steep slope or uneven terrain, back the vehicle into the water. With the engine and transmission weight concentrated in the front of the vehicle, the rear is lighter and floats higher.

Be careful not to submerge the bumper as you enter the water. With the bumper submerged, water can enter through the openings in the upper body.

5.6.2 Driving Procedures in Water

After the vehicle is floating evenly on the water, turn the throttle twist grip to increase speed. Use only part throttle when traveling through water. Full throttle only results in excessive turbulence, not higher speeds.

The vehicle is steered by pulling the right or left steering levers back as on land. The turning radius is somewhat greater in water, and the vehicle does not respond to changes in direction as quickly as it does on land.

The vehicle is propelled forward through the water by the web of the tires as they rotate. To back up in water, release the throttle, shift the transmission into neutral, and use a paddle.

Avoid rocks, stumps or other obstacles that are below the surface of the water. Striking these obstacles may damage the bottom or upset the vehicle.

If your vehicle begins to fill with water, immediately head to the nearest shore. Get the vehicle out of the water and drain it by removing both rear drain plugs. Correct the leak before entering the water again.

CAUTION

Do not leave the vehicle in water for extended periods of time. Water could enter the axle seals and cause damage to the axle bearings.

5.6.3 Driving Out of Water

When driving out of water, choose an area of the shore that is reasonably flat and free of rocks, stumps and other obstacles. Steer the vehicle so that both front wheels reach the shore at the same time. Accelerate slowly until the vehicle is out of the water.

5.6.4 Outboard Motor Bracket

An optional outboard motor bracket (ARGO Part No. 617-00) and support (ARGO Part No. 618-00 or 618-10 Outboard Motor Bracket - Side Mount) are available to mount an outboard motor up to 9.9 h.p. A long shaft outboard motor is preferred to prevent cavitation.

Do not mount an outboard motor on the vehicle unless the special bracket is used. Damage to the vehicle will occur if an outboard motor is mounted directly on the vehicle body.

SECTION 5

DRIVING PROCEDURES IN UNUSUAL CONDITIONS

WARNING

Gasoline is extremely flammable and can explode if ignited. Fill outboard motor fuel tanks outside of the vehicle. Wipe up any spilled fuel immediately. Do not carry or store fuel tanks in a vehicle equipped with a cab or convertible top unless adequate ventilation is provided.

5.7 WINTER OPERATION

Follow these precautions when operating the ARGO in winter conditions:

- Equip the vehicle for remote area use, as listed in Section 5.1.
- Keep the battery fully charged and in good condition.
- Use the recommended winter grade of engine oil.
- Do not allow water or snow to accumulate in the vehicle. Snow may melt during operation of the vehicle, collect in the lower body and freeze around the chains and final drive components, immobilizing the vehicle.
- Store the vehicle indoors or under cover.
- Equip your vehicle with snow tracks for travel over deep snow.
- **Steep, snow-covered or icy hills may be more difficult to ascend. Ice cleat kits (625-20 for 6 wheel or 825-20 for 8 wheel) are available for Super Track systems.**
- Never travel alone into a remote area. Leave your route and arrival plans with someone who can send help if you fail to arrive as planned.

5.7.1 Use on Ice Covered Bodies of Water

WARNING

Using the ARGO on ice-covered bodies of water is potentially hazardous. Use extreme caution. Exposure to cold water reduces a person's chance of survival. Protective clothing, such as a marine survival suit will significantly decrease the effect of exposure in frigid water.

Before venturing out onto ice-covered bodies of water, it is extremely important to:

- Check the ice thickness and condition to be sure it will support the vehicle.
- Take all precautions as in Section 5.6, particularly paragraph 3 referring to drain plugs.

If the vehicle breaks through the ice, it will float in the water, provided that there are no leaks in the body, the drain plugs are in place and vehicle is not taking on water through any body openings. However, there is a risk of the vehicle tipping, particularly if the load is unbalanced. Be prepared to shift occupants' weight for balance.

Getting back onto safe ice depends on various conditions and the expertise of the driver. Be especially careful to prevent water from entering the vehicle.

- Balance the cargo and passenger load.
- Keep openings, like air intakes/exhaust, etc. above the water line.
- Keep the bilge pump running.
- Winch the vehicle out.
- Back onto ice, as the back end is lighter and floats higher in the water.
- Avoid getting the wheels on only one side onto the ice surface as water could enter over the opposite side of the vehicle.
- Avoid turning as the Argo is climbing out to avoid vehicle tip-over.
- Break the thin ice around the vehicle with the paddle until there is firm ice for the vehicle to climb onto.
- Be wary of currents which may pull the vehicle under the ice.

If you feel that you may not be able to get the vehicle back onto safe ice or land, you might consider staying put to await rescue. This may be safer than trying to leave the vehicle to walk over thin ice.

SECTION 6 OIL, FILTER AND LUBRICATION INFORMATION

6.1 ENGINE OIL INFORMATION

⚠ WARNING

Detailed information on standard workshop and safety procedures and general installation practices is not included here. ODG assumes no responsibility or liability for PERSONAL INJURY or VEHICLE DAMAGE which results from any procedure performed, including those procedures outlined here. Before performing any procedure, an individual must have determined to his/her satisfaction that personal injury or vehicle damage will not result from the procedure, working environment or tools selected.

6.1.1 Checking the Engine Oil Level

Check the engine oil level each day before operating the engine.

To check the oil during an operating period, shut the engine off, let it cool down and allow the oil time to drain into the sump before checking the oil level. Position the vehicle so the engine is level.

The BRIGGS & STRATTON VANGUARD (Figure 6-1) and KAWASAKI engines (Figure 6-2) are equipped with a dipstick and a separate oil filler tube. To check the oil level, clean the area around the dipstick before removing. Remove the dipstick and wipe it with a clean cloth. Re-insert the dipstick and push it all the way into the tube. Remove the dipstick and check the oil level. The oil level should be between the marks. If the level has dropped, add oil to bring the level up to the FULL mark. **DO NOT OVERFILL.**

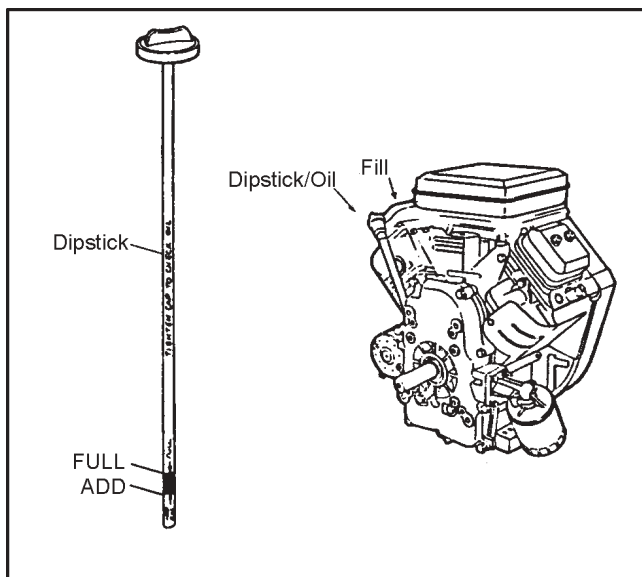


Figure 6-1 Oil fill and level location BRIGGS & STRATTON engine

⚠ CAUTION

Do not run the engine if the oil level is above the FULL mark or below the ADD mark. Premature engine damage or total engine failure can occur when the oil level is not properly maintained.

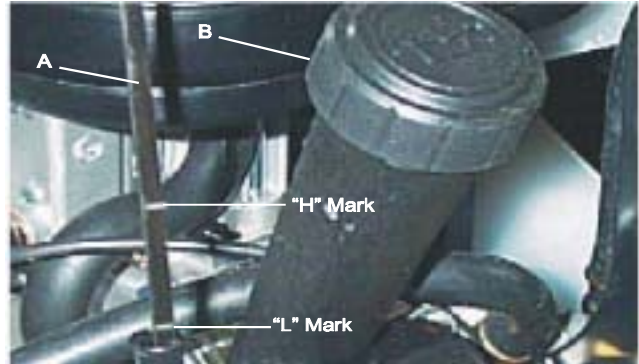


Figure 6-2. Dipstick "A" and oil filler "B" location KAWASAKI engine

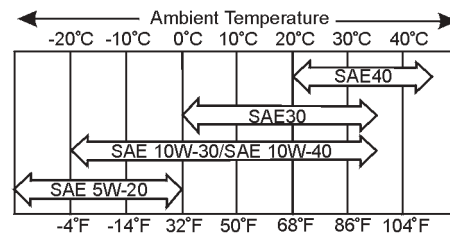
⚠ CAUTION

Do not run the engine if the oil level is above the "H" mark or below the "L" mark. Premature engine damage or failure can occur when oil levels are not maintained.

6.1.2 Recommended Engine Oil

Use a high quality detergent oil of API (American Petroleum Institute) service class as listed below. Choose the correct viscosity of oil for seasonal driving conditions.

Kawasaki API Service Class SD, SE or SF

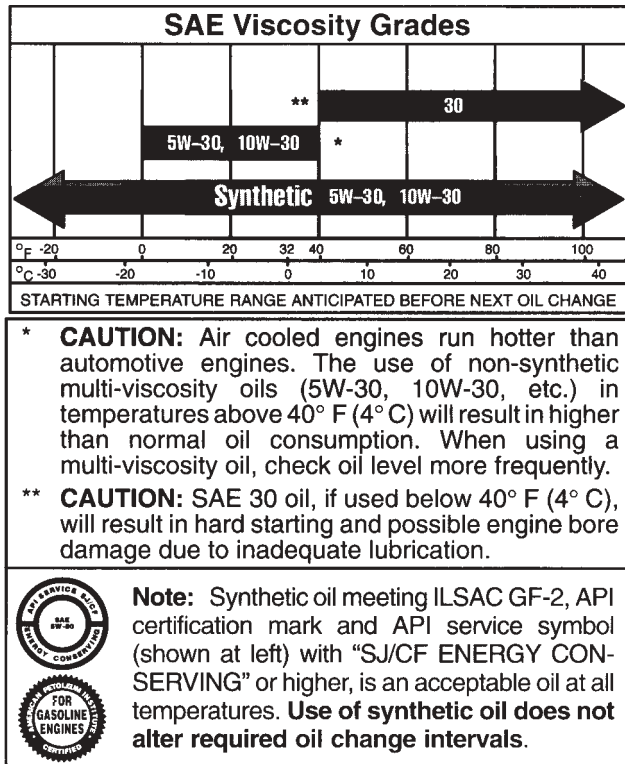


- Some increase in oil consumption may be expected when a multi-grade engine oil is used. Check the oil level frequently.

SECTION 6

OIL, FILTER AND LUBRICATION INFORMATION

Briggs & Stratton API Service Class SE, SF or SG



	CONQUEST	VANGUARD, VANGUARD2, BIGFOOT et RESPONSE
	Kawasaki	Briggs & Stratton
Oil Capacity	3.2 IMP pints 1.8 litres	2.5 IMP pints 1.4 litres/1.6 with filter change

Figure 6-3 Oil Capacities

6.1.3 Changing Engine Oil

During the initial engine break-in period, change the oil after the first 8 hours of operation for Briggs & Stratton and 20 hours of operation for the Kawasaki. After the break-in period, change the engine oil every 50 operating hours, or more frequently if the vehicle is operated in dusty or dirty conditions.

Draining the Engine Oil

Each engine is equipped with a drain plug for draining the oil. The drain plug location is shown in the engine owner's manual. Drain the oil from the engine as follows:

1. Start and warm up the engine so the oil will drain easily.
2. Level the vehicle so the oil will drain completely.
3. Place a suitable container under oil drain of engine and remove drain plug with a wrench: a 7/16" open end wrench or 7/16" square socket for Briggs & Stratton engines or a 21mm socket for Kawasaki engines.

NOTE

There is limited space between the engine and power pack frame. Cut down an empty plastic container to the correct height so it will fit under the engine oil drain. Make sure the container will hold the amount of oil in the engine.

A ziploc plastic bag makes a convenient oil container. It conforms to the space available and can be closed securely when the oil is drained, then lifted neatly out of the engine compartment.

PLEASE DISPOSE OF WASTE OIL PROPERLY TO CONSERVE OUR ENVIRONMENT.

4. When all the oil has been drained from the engine, clean and replace the drain plug. **MAKE SURE** it is properly tightened before refilling the engine.
5. See Oil Filter Replacement in Section 6.3.3.

Refilling the Engine

Refill the engine through the oil fill port with the correct amount of oil (Figure 6-3). Make sure the appropriate grade of oil is used (Section 6.1.2). As you add oil, frequently check the level with the dipstick. Do not overfill. Start engine. Check for leaks. Stop the engine. Check the oil level. Add oil only to the "Full" or "H" mark on the dipstick.

6.2 TRANSMISSION OIL INFORMATION

6.2.1 Checking the Transmission Oil Level

Check the transmission oil level every 50 operating hours. All models of the ARGO are equipped with a transmission oil dipstick (Figure 6-4). Clean the area around the dipstick before removing. Remove the dipstick by pulling up.

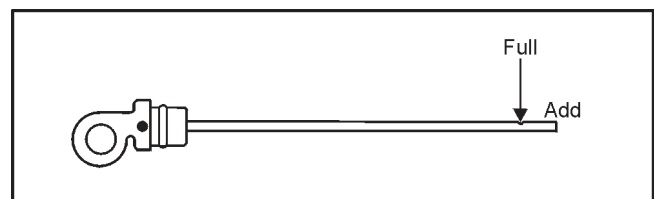


Figure 6-4. Transmission dipstick

SECTION 6

OIL, FILTER AND LUBRICATION INFORMATION

The transmission oil level should be even with the mark on the dipstick as shown in Figure 6-4. Add 80 W 90 Gear Lube HYPOY-C through the transmission oil fill/dipstick hole until the transmission is filled to the correct level. **DO NOT OVER-FILL.** Replace the dipstick securely.

6.2.2 Changing the Transmission Oil

Change the transmission oil after the first 20 hours of operation, or after using 2 tanks of fuel. After this, change the transmission oil every 100 operating hours. Remove firewall to access the drain plug located at the bottom of the transmission. Drain the transmission oil into a suitable container and dispose of the oil at a disposal site.

While draining the transmission oil, be sure to clean off any metal particles that are on the magnet of the drain plug. These fine metal particles are a result of the transmission gears meshing during the initial break-in period. Re-install the plug and tighten it securely.

Refilling the Transmission

Refill the transmission through the oil fill/dipstick hole with 30 oz (.85L) of 80 W 90 Gear Lube HYPOY-C. As you refill the transmission, check the oil level with the dipstick. Check that the oil level is even with the mark on the dipstick, after it has been seated fully in the dipstick hole. **DO NOT OVERFILL.**

Overfilling may result in oil being forced out the breather hole that could contaminate the brake pads and lead to brake failure.

6.3 FILTER INFORMATION

6.3.1 Air Filter

All ARGO engines are equipped with a foam precleaner and dry paper air filter element housed in an air cleaner assembly attached to the carburetor.

Wash and oil the precleaner after every 25 hours of operation or more often under extremely dusty or dirty conditions.

Check the paper air filter element every 100 hours of operation or more often under extremely dusty or dirty conditions.

For instructions to remove, clean and replace the air filter components, refer to the air cleaner section of the engine owner's manual.

6.3.2 Fuel Filter

All models of the ARGO are equipped with an in-line fuel filter (replacement fuel filter is ARGO Part No. 125-64). On Conquest models the fuel filter is located in the fuel hose, next to the fuel tank. On all other Argo models the fuel filter is located at the engine.

Replace the fuel filter after every 250 hours of operation or once a year. To replace the filter, loosen the gear clamps with a standard screw driver and pull the rubber fuel lines off of the filter. Install the new filter with the flow arrow pointing toward the engine. Tighten the clamps securely. Start the engine and check for fuel leaks.

6.3.3 Oil Filter

During the initial engine break-in period, change the oil filter (Part No. 126-95 for Briggs & Stratton engines and Part No. 127-68 for Kawasaki engines) when the oil is changed. After that, change the oil filter every 50 hours.

Before installing the new filter, lubricate the rubber filter gasket with fresh engine oil. Screw the filter on by hand until the gasket contacts filter adapter. Tighten 1/2 to 3/4 turn more. Start and run engine to check for oil leaks. Stop engine and re-check oil level. Add oil if required.

6.4 LUBRICATION INFORMATION

6.4.1 General

The following parts and components require regularly scheduled lubrication to prevent premature wear and replacement.

- | | |
|------------------|-----------------|
| 1. Driven Clutch | 3. Idler Chains |
| 2. Drive Chains | 4. Bearings |

Use the recommended lubricants listed in this section and carefully observe the recommended lubrication intervals.

WARNING

Do not attempt to lubricate the driven clutch while the engine is running.

6.4.2 Driven Clutch Lubrication

Lubricate the driven clutch every 50 hours with a silicone based lubricant. Spray the lubricant into the clutch unit, directing the spray onto the spring, bushing and the sliding areas of the cam pulley and the fixed cam where the cam shoes make contact. (See Figure 6-5).

SECTION 6

OIL, FILTER AND LUBRICATION INFORMATION

Do NOT spray lubricant onto the drive belt, brake disc or clutch faces. Allow the lubricant to dry before using the vehicle. If the lubricant is not dry, use of the vehicle will attract dirt and cause damage to the clutch components.

A complete service of the clutch units is required after every 250 hours of operation. To perform this procedure, the clutches must be disassembled. Special tools are required to disassemble the clutch units. We recommend that you return your vehicle to an ARGO dealer to have the clutch units serviced.

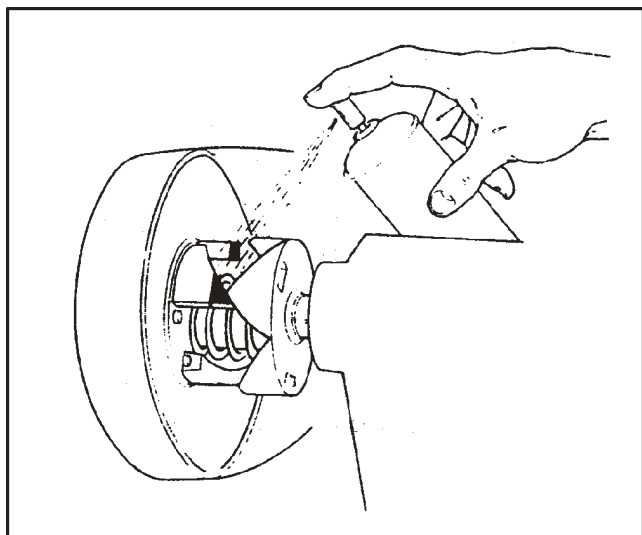


Figure 6-5. Lubricating the driven clutch

6.4.3 Drive Chain Lubrication

Your ARGO vehicle is equipped with roller chains to each axle. Lubricate the chains every 10 hours with Aerosol Chain Lube (ARGO Part No. 125-86), or more frequently in dirty or wet conditions.

After every 100 hours of operation, remove all the drive chains from the vehicle and clean them thoroughly in a suitable solvent, i.e. degreaser.

⚠ WARNING

Never use gasoline as a cleaning solvent. Gasoline is extremely flammable and can explode if ignited, causing serious personal injury.

Allow the chains to dry thoroughly, re-lubricate generously with ARGO Chain Lube and re-install.

Refer to Section 7.2.3 of this manual for drive chain removal and re-installation instructions.

6.4.4 Idler Chain Lubrication

Lubricate the idler chains after 10 hours of operation, and more frequently if the vehicle is operated in dirty or wet conditions (Figure 6-6). Use only ARGO Chain Lube (ARGO Part No. 125-86) to lubricate the idler chains.

When applying the chain lube, protect the brake discs with a rag or simple cardboard shield (Figure 6-7). **DO NOT SPRAY CHAIN LUBE ON THE BRAKE DISCS OR PADS.** Roll the vehicle so that all of the idler chain is accessible for lubrication.

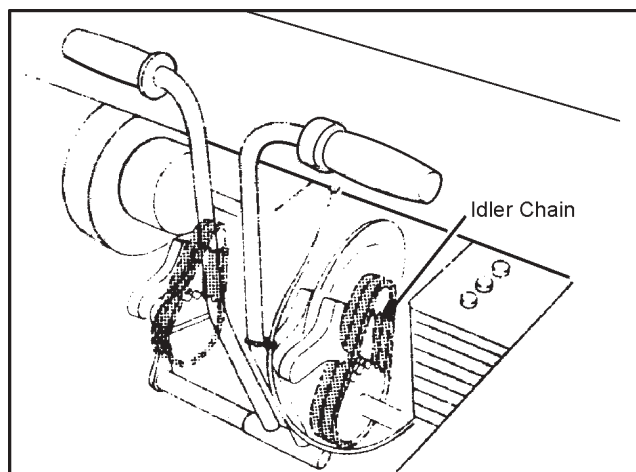


Figure 6-6. Location of the idler chains

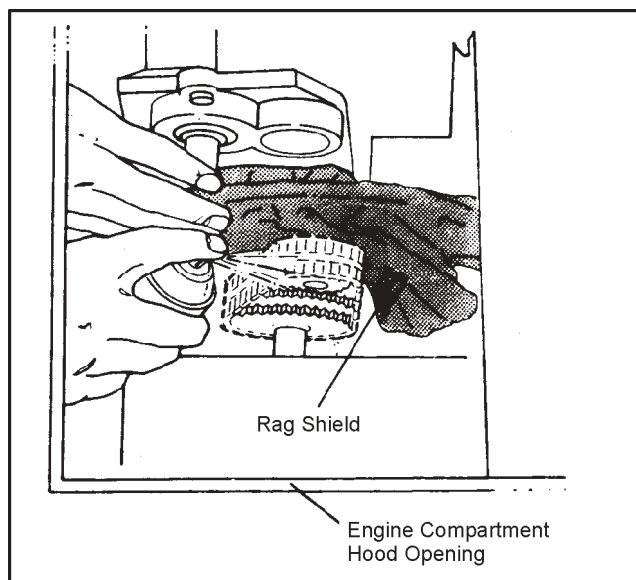


Figure 6-7. Lubricating the idler chain

Do not use regular oil or grease to lubricate the idler chains. Regular oil or grease will be thrown off the idler chains during normal operation, and contaminate the brake pads or discs. When these components become contaminated, brake efficiency is affected.

SECTION 6

OIL, FILTER AND LUBRICATION INFORMATION

After every 100 hours of operation, remove both idler chains from the vehicle and clean them thoroughly in a suitable solvent. Allow the idler chains to dry thoroughly, re-lubricate them generously with Argo chain lube and re-install. Refer to section 7.2.5 of this manual for idler chain removal and re-installation instructions.

6.4.5 Outer Axle Flange & Bearing Lubrication

⚠ CAUTION

**DO NOT USE HIGH PRESSURE
PNEUMATIC GREASING EQUIPMENT**

Each outer axle flange is equipped with two grease nipples. Grease the outer cavity through the outer nipple of each flange with a lithium based, NLGI #2 or 3 mineral oil based grease, (such as Shell Alvania #3). Apply at every 25 hours of operation, to flush dirt and water that may have entered the axle seal. Only a small amount of pressure should be required. Grease until any contamination has been forced out past the seal and fresh grease is visible.

At the same time, inspect all the axle seals for damage (Figure 6-8). Vegetation wrapping around the axles can damage the rubber lip of the seal, allowing dirt and water into the outer cavity. Replace any damaged seals.

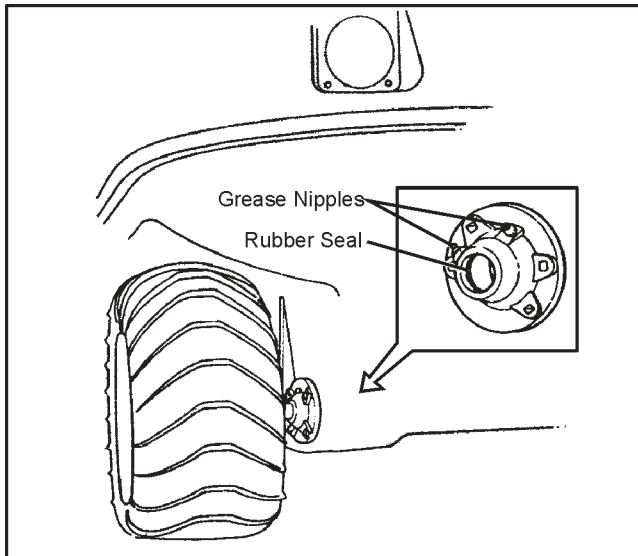


Figure 6-8. Outer Axle Flange

The second or inner grease fitting of the outer axle flange supplies grease directly to the outer axle bearing. Since the bearing is well sealed and packed with grease when manufactured, it requires re-greasing only every 100 hours of operation or before the vehicle is taken out of service for any ex-

tended period. Use a pistol grip type grease gun to avoid dislocating the bearing seals due to excessive grease pressure.

⚠ CAUTION

Do not use high pressure or excessive amounts of grease. Damage to the bearing seals could result.

6.4.6 Idler Shaft Bearing Lubrication - All Models

The idler shaft bearing flanges are fitted with grease nipples. These bearings should be greased with a small amount of a lithium based, NLGI #2 or 3 mineral oil based grease, (such as Shell Alvania #3). Apply every 100 hours of operation or whenever major maintenance is performed on the vehicle. The grease fittings become more accessible when the idler chains are removed. Alternatively, ARGO Part# 658-16 Right Angle Coupler, can be used to access these fittings (also sold at automotive supply stores as a Right Angle Grease Coupler, Thexton part no. 418).

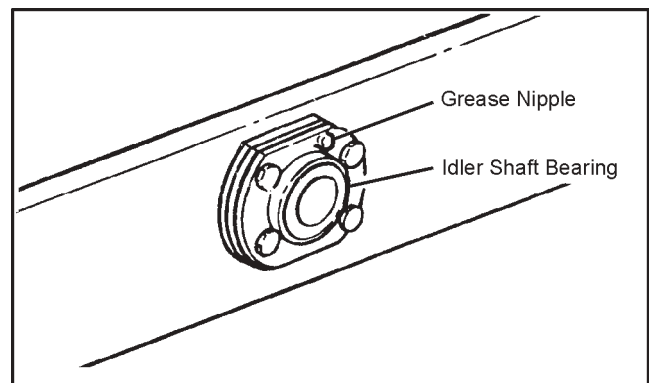


Figure 6-9 Idler shaft bearing grease nipples

6.4.7 Inner Axle Bearing Lubrication

The inner axle flanges are equipped with a grease nipple. Lubricate the bearings with a small amount of a lithium based, NLGI #2 or 3 mineral oil based grease, (such as Shell Alvania #3). Apply every 100 hours or before the vehicle is taken out of service for any extended period. Only a small amount of grease is required.

SECTION 7 MAINTENANCE INFORMATION

7.1 ELECTRICAL SYSTEM

⚠ WARNING

Detailed information on standard workshop and safety procedures and general installation practices is not included here. ODG assumes no responsibility or liability for PERSONAL INJURY or VEHICLE DAMAGE which results from any procedure performed, including those procedures outlined here. Before performing any procedure, an individual must have determined to his/her satisfaction that personal injury or vehicle damage will not result from the procedure, working environment or tools selected.

7.1.1 General

To prevent damage to the electrical system:

- Never weld on the vehicle without first disconnecting both positive and negative battery cables. Make sure the part you are welding is properly grounded.
- Connect battery booster cables properly, positive to positive and negative to negative. Connect negative cable last, disconnect first.
- Connect switch terminals properly, especially the ground wire.

7.1.2 Battery- ARGO Part No. 127-54 - Exide Part No. 45-50

⚠ WARNING

Battery fluid contains sulphuric acid. If battery fluid comes in contact with skin or eyes, flush thoroughly with water. If swallowed, call physician or poison control centre immediately. KEEP AWAY FROM CHILDREN. Serious personal injury can occur. Always wear rubber gloves and safety glasses when servicing the battery.

Batteries can explode and cause serious personal injury if exposed to flame or sparks. Never smoke while servicing the battery.

All models are equipped with a 12 volt, wet cell type battery. The battery is located in the engine compartment, on the right side in front of the driver's position.

Checking Fluid Level

Check the fluid level every 50 hours of operation. Remove the pod vents and make sure each cell is filled to the fluid level as shown in Figure 7-1. If the fluid has dropped below the fill well, add distilled water until the cell is filled to correct level. **DO NOT OVERFILL.**

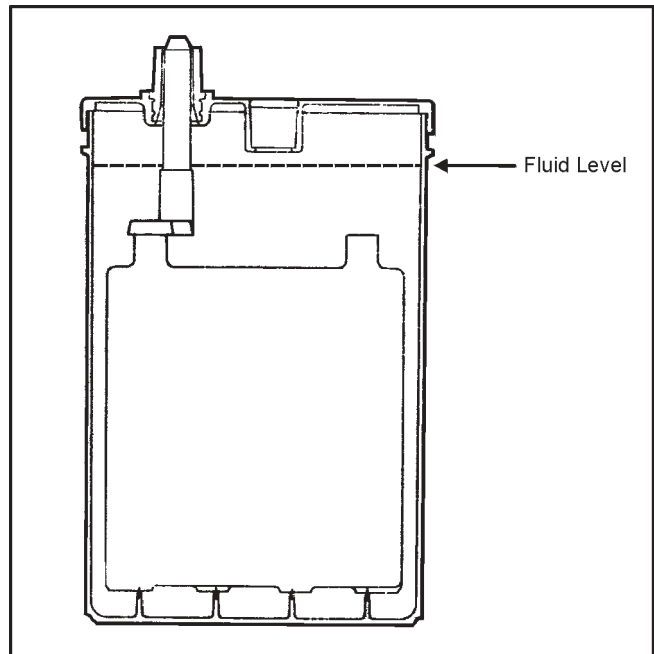


Figure 7-1. Battery fluid level

Charging the Battery

If the battery loses its electrical charge, remove the battery from the ARGO and recharge it with a 12 volt battery charger at the rate of 10-12 amps maximum. The battery should remain on charge until the specific gravity reaches 1.265 on a hydrometer. Re-install the battery in the vehicle and try to start the engine. If the battery fails to perform properly, have it tested by a battery service dealer. Replace a defective battery with ARGO Part No. 127-54/Exide Part No. 45-50.

⚠ WARNING

Ventilate area when charging. Keep away from spark, heat, cigarettes or open flame.

Cleaning the Battery Terminals and Cable Connections

Clean the battery terminals and cable connections every 100 hours. Remove the black NEGATIVE (-) cables first. Make sure you reconnect the NEGATIVE (-) cables to the NEGATIVE (-) post and the red POSITIVE (+) cables to the POSITIVE (+) posts. Damage to the electrical system will occur if the cables are reversed.

SECTION 7

MAINTENANCE INFORMATION

Cleaning the Battery

Clean the top of the battery every 250 hours with a mixture of baking soda and water. Before cleaning the battery, remove it from the vehicle and make sure the pod vents are in place. Soak a cloth in the soda/water mixture and scrub the top of the battery. After the foaming has stopped, flush with clean water and dry with a clean cloth.

7.1.3 ELECTRICAL SYSTEM FUSES

All models of the ARGO are equipped with push-in type automotive fuses. The fuses protect the electrical circuits of the vehicle. They are located in the fuse block, inside the engine compartment, just in front of the steering levers. Replace any blown fuses. Return your vehicle to an ARGO dealer for inspection of the electrical circuit if a fuse blows repeatedly.

NOTE: On the Vanguard, Vanguard2, Bigfoot and Response one of the center fuses in the fuse block is a spare and can be used for accessory equipment.

7.1.4 SPARK PLUGS

Remove and inspect the spark plugs after every 100 hours of operation. Clean the plugs and reset the gap as detailed in the engine owner's manual.

Replace the spark plugs if the electrodes are corroded or damaged or if the insulator is cracked. Use the correct plug for the engine as detailed in the engine owner's manual.

Re-install the spark plugs carefully, taking care to start the threads properly. Torque the plugs to 10 - 15 ft. lbs (14 to 20 N·m). Do not over tighten.

7.1.5 SPARK ARRESTER

Cleaning the Spark Arrester (only for equipped models)

CAUTION

After operating the engine, do not touch any part of the exhaust system until it has had sufficient time to cool!

1. Keep a record of the number of hours of engine use. The spark arrester should be removed, cleaned and inspected every 50 hours of operation.
2. Remove the tail pipe assembly by disconnecting the springs from the muffler attached to the tail pipe.

3. The screen-type spark arrester assembly is located inside the tail pipe. It is fastened with one (1) slotted washer-head hex screw. Find the screw on the side of the outlet tube.
4. Remove the screw and save it for step 9.
5. Take off the screen-type spark arrester assembly.
6. Shake loose particles out of the screen assembly.
7. Clean the screen with a wire brush. (Soak it in oil solvent if necessary.)
8. If any breaks in the screen or weldments are discovered, replace the assembly with Part No. 807-67.
9. Return the screen assembly to the outlet tube and refasten it with the screw from Step 4.

7.2 DRIVE SYSTEM & TIRES

WARNING

Do not attempt to adjust, repair or replace the drive belt, clutches or any moving part while the engine is running. Before servicing the vehicle, disconnect the battery to prevent accidentally starting the engine.

Keep the engine compartment hood, clutch guard and firewall securely in place when the engine is running. Severe injury can result if the drive belt, clutch components or other moving parts come loose.

If engine compartment inspection is necessary while the engine is running, use EXTREME CAUTION! Keep engine RPM low. Avoid standing directly in line with moving components. Use a mirror to view the components.

7.2.1 DRIVE BELT

The drive belt transmits power from the driver clutch (on the engine) to the driven clutch (on the transmission). These components are located on the left side of the engine compartment. (Figure 7-2)

SECTION 7 MAINTENANCE INFORMATION

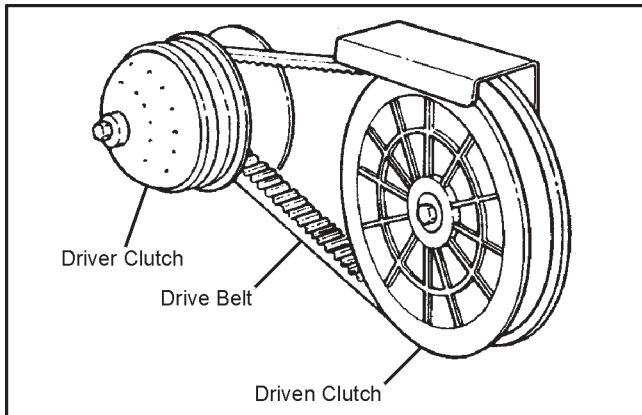


Figure 7-2. Location of drive clutches and drive belt

Check the drive belt after every 25 hours of operation, or whenever there is a noticeable reduction in clutch performance. Replace the belt when:

- the top width of the belt has worn to 1-5/16" (33mm)
- cracks, fraying or shredding is apparent
- it becomes contaminated with oil or some other fluid

Refer to the ARGO Parts Manual for correct drive belt part number.

To Remove the Drive Belt

1. Make sure ignition is turned off.
2. Remove the engine access hood.
3. Remove the firewall.
4. Place the transmission in N (neutral).
5. Ease the belt over the fixed half pulley of the driven clutch starting from the bottom of the clutch, while turning the clutch counterclockwise until the belt is off. (Figure 7-3).
6. Remove the belt from the driver clutch.

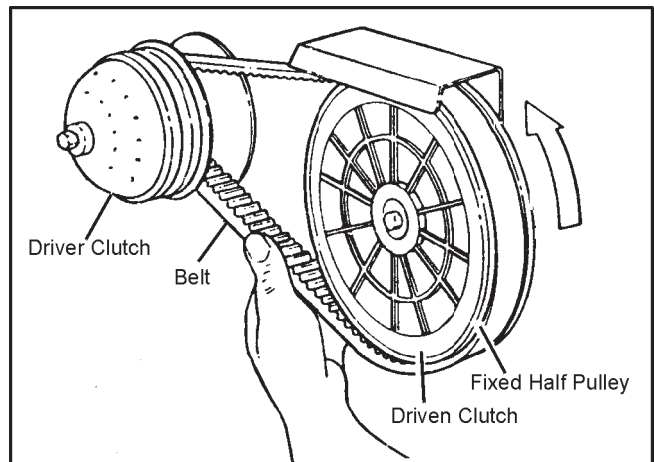


Figure 7-3. Removing the drive belt

To install the Drive Belt:

⚠ CAUTION

If this procedure is not carried out as described, the edge of the fixed face may cut or damage the drive belt.

1. Position the belt around the driver clutch first.
2. Ease the belt over the edge of the fixed face on the driven clutch and at the same time, turn the inside, movable face clockwise.

Drive Belt alignment and tension are pre-set at the factory and are not adjustable. They are critical for proper operation of the drive system. Return the vehicle to an ARGO dealer if rapid belt wear occurs.

7.2.2 CLUTCH MAINTENANCE

Disassembly and repair of the driver and driven clutch requires special tools. Return the vehicle to an ARGO dealer if the clutch units need servicing. The following indicates that clutch service is required:

- a drop in vehicle performance
- the clutch does not shift smoothly
- the clutch sticks during vehicle operation
- the drive belt wears rapidly
- the vehicle vibrates severely during operation
- the vehicle does not accelerate when the engine speed is increased with the transmission in gear
- transmission will not shift smoothly into gear at engine idle.

SECTION 7

MAINTENANCE INFORMATION

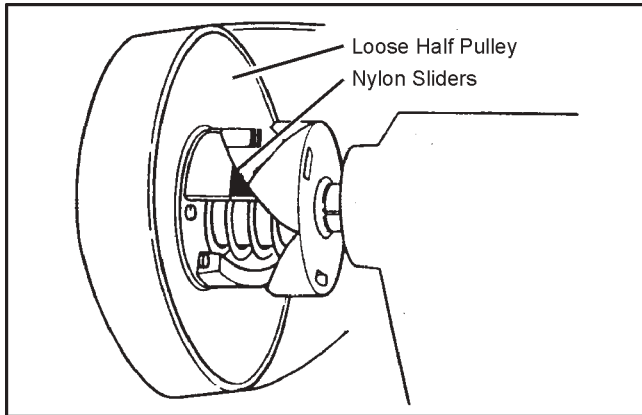


Figure 7-4. Location of the sliders

Clutch Inspection

Inspect the nylon sliders every 50 hours. The nylon sliders are mounted in the driven clutch moveable pulley. (Figure 7-4). When the clutch shifts, the cam moves on the nylon sliders.

Replace the nylon sliders *before* there is aluminum to aluminum contact between the cam and the movable pulley. Driven clutch disassembly is required to replace the nylon sliders properly. Return the vehicle to an ARGO dealer for service.

7.2.3 DRIVE CHAINS

Roller chain “stretch” results from wear to the chain pins and bushings because of the loss of lubricant.

To prevent sprocket damage and unnecessary breakdowns, replace the chains when:

- the chain tensioner can no longer take up the chain slack.
- the chain is rubbing on a frame cross member.
- the chain is seized due to rust and lack of lubrication.
- the chain climbs the sprocket teeth, especially noticeable when turning.

To remove the Drive Chains:

1. Place the gearshift in the N (neutral) position.
2. Remove the floor pans.
3. Turn the tensioner cam assembly in the direction which winds up the torsion spring and push the assembly down as close as possible to the cam follower block in the bottom of the frame. Secure it in this position with a Vice-Grip 10CR as illustrated in Figure 7-6.

4. Roll the vehicle until the connecting link on one of the chains is visible.
5. Remove the spring clip from the connecting link as shown in Figure 7-7. Remove the outside plate and tap out the connecting link. The inside plates will be released when the connecting link is removed (Figure 7-8).
6. Remove the chain from the vehicle.
7. Repeat steps 4 to 6 until all drive chains are removed.

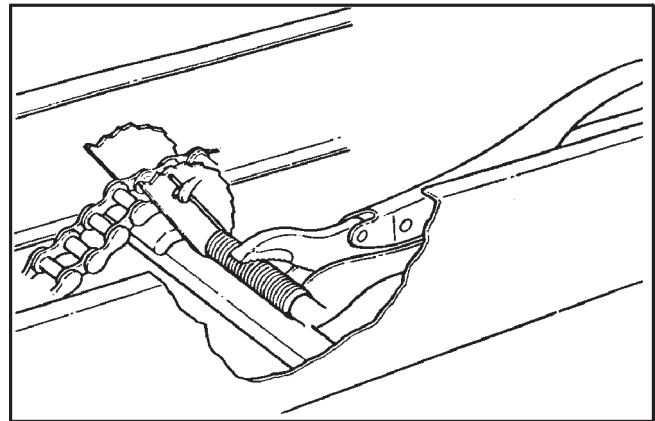


Figure 7-6. Securing tensioner cam

To install the Drive Chains:

1. Position the drive chain over the slider block and around the drive sprockets.
2. Pull the ends of the chain together and insert the connecting link as shown in Figure 7-8 and 7-9. When connecting the RC50-2 chain, insert the inside plates before tapping the connecting link into position.

NOTE

Use a pair of modified 7R Vice Grips to hold the ends of the chain together while inserting the connecting link. Some drive chains have no slack, and replacement of the connecting link is difficult without this tool. Modified Vice Grips can be ordered from your ARGO dealer (ARGO Part No. 658-08) or refer to Appendix 1 for modification information.

3. Replace the outside plate and spring clip. The open end of the clip must face rearward when it is on top of the chain.
4. Remove the vice-grips, securing the cam assembly in its lowest position.
5. Repeat steps 1 to 4 until all chains are replaced.

SECTION 7 MAINTENANCE INFORMATION

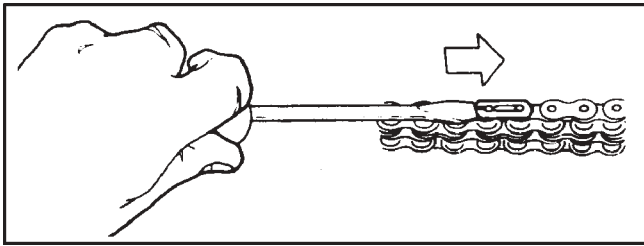


Figure 7-7. Removal of the spring clip

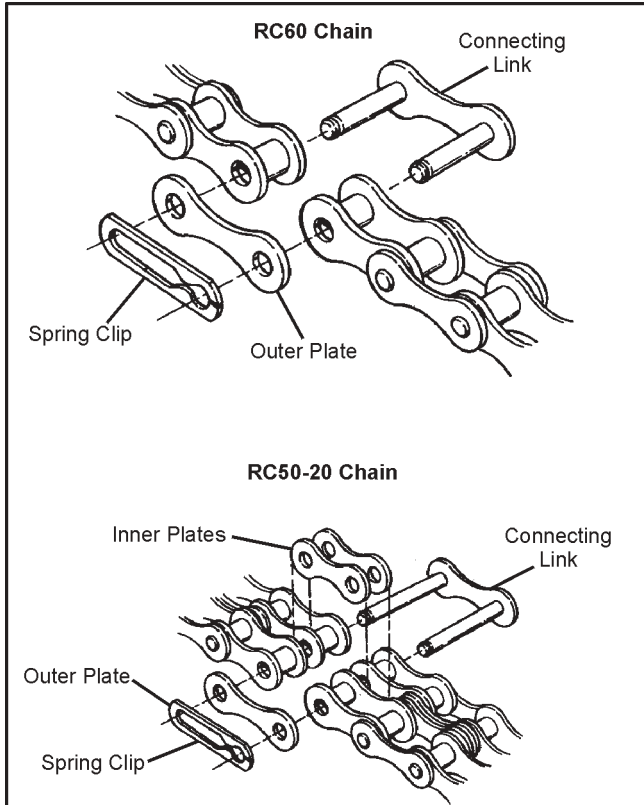


Figure 7-8. Chain connection link components

7.2.4 DRIVE CHAIN TAKE-UP SYSTEM

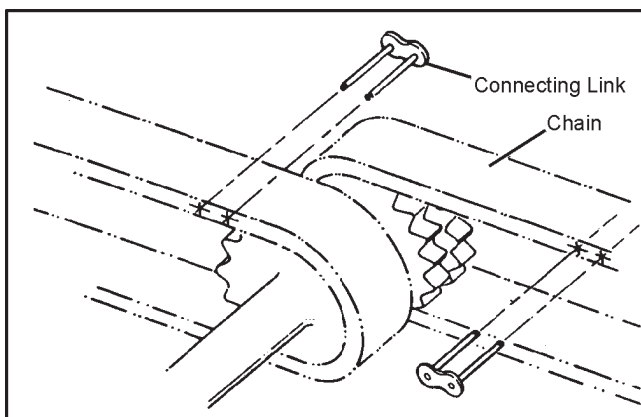


Figure 7-9. Installing the connecting link

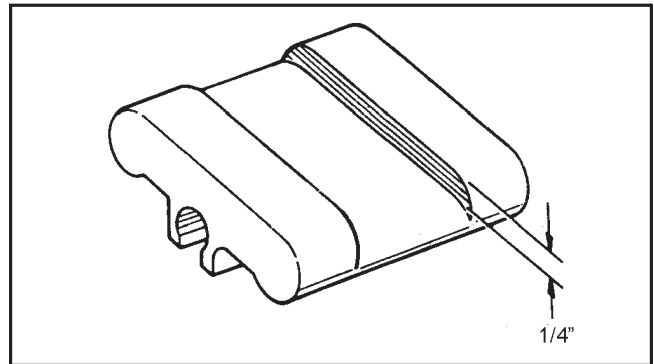


Figure 7-10. Wear groove on the slider block

The chain tensioning system consists of a torsion spring loaded cam assembly with a slider block which takes up the slack on the bottom side of all but the front final drive chains. As the chain wears, the chain tensioning mechanism adjusts semi-automatically. Under most conditions, the tensioner cam assembly will move to the next step of adjustment simply due to normal drive system dynamics. Sometimes, however, the cam assembly can bind due to debris caught in the area. **IT IS VERY IMPORTANT TO CHECK THAT THE CAM ASSEMBLY IS PROGRESSING PROPERLY. CHECK FOR PROPER CHAIN TENSIONER OPERATION AFTER THE FIRST TWO HOURS OF USE AND THEN EVERY 10 HOURS OF VEHICLE OPERATION, WHEN THE DRIVE CHAINS ARE BEING LUBRICATED.** Each step of the cam takes up about 2.5 inches of chain slack (see Fig. 7-11).

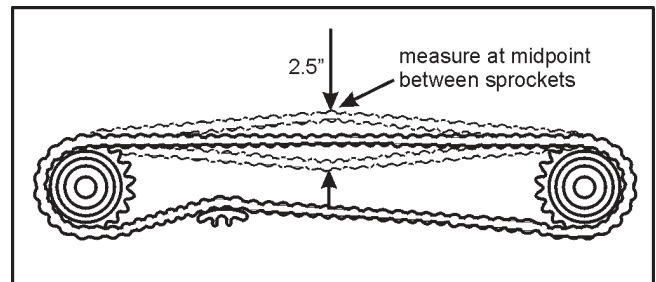


Figure 7-11. Chain slack required before the tensioner will progress to the next step.

The tensioner cannot progress to the next step until there is enough slack in the chain. With the wheels raised off the ground, check if the chain slack exceeds 2.5 inches. If it does, then reach under the slider block assembly and pull up.

⚠ CAUTION

Check for proper chain tensioner operation every 10 hours of vehicle operation.

SECTION 7 MAINTENANCE INFORMATION

Each chain tensioner has a single nylon slider block. Inspect the nylon slider blocks for wear after the first 100 hours and every 50 hours thereafter. Replace the blocks (ARGO Part No. 603-61) when the wear groove, as shown in Figure 7-10, measures 1/4" (6mm).

To Replace a Slider Block:

1. Remove the floor pans.
2. Turn the tensioner cam assembly in the direction which winds up the torsion spring and push the assembly down as close as possible to the cam follower block across the bottom of the frame channels. Clamp it in this position with a Vice-Grip 10CR or similar plier as illustrated in Figure 7-6.
3. With pliers, pry the slider block off the cam assembly as illustrated in Figure 7-13.
4. Place a new slider block over the shaft of the cam assembly.
5. Using a piece of wood (or similar material) pressed against the top of the slider block, carefully hammer the piece of wood so the slider block snaps onto the cam assembly shaft as shown in Figure 7-14.
6. Remove the locking pliers securing the cam assembly in its lowest position.
7. Pull up on the cam assembly to allow it to take up as much chain slack as possible.
8. Replace the floor pans.

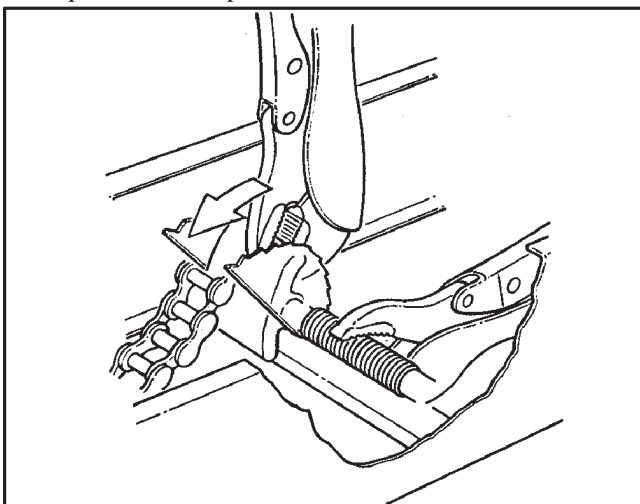


Figure 7-13 Prying the Slider Block off the Cam Assembly

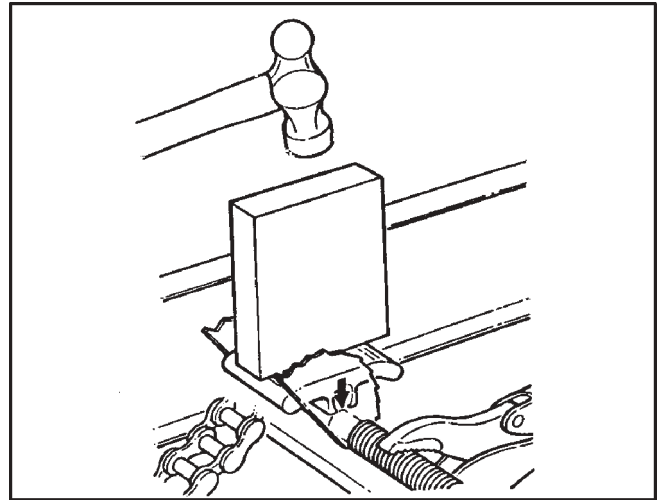


Figure 7-14 Hammering Slider Block into place

7.2.5 IDLER CHAIN

All ARGO vehicles are equipped with 2 idler chains to transfer power from the output shafts of the transmission to the drive chains through a series of sprockets. They are located on each side of the transmission.

A loose or improperly adjusted idler chain can result in damage to the chain or sprockets. During the new vehicle break-in period, check the idler chain adjustment before operating the vehicle and after the first 2 hours of operation. After the initial break-in period, check the idler chain adjustment every 50 hours. An indication of loose idler chains is a loud banging noise when the vehicle is turned.

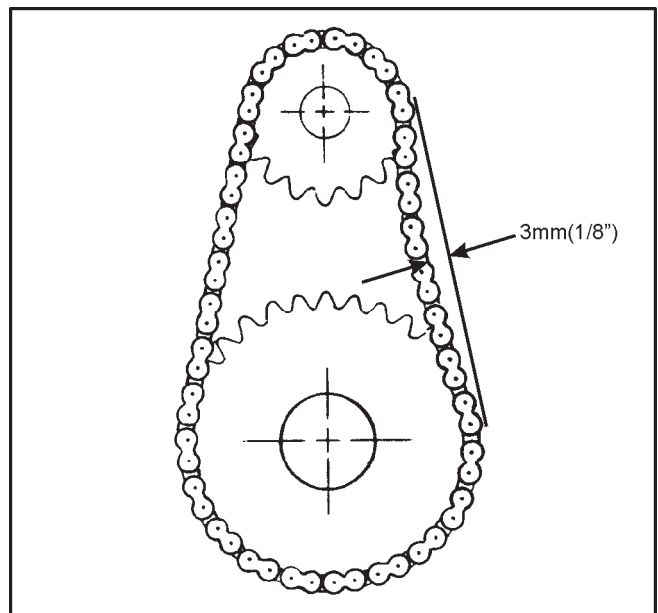


Figure 7-15. Measuring idler chain deflection

SECTION 7

MAINTENANCE INFORMATION

To check the idler chain adjustment, push the slack side of the chain and measure the amount of chain deflection (Figure 7-15). Adjust the idler chain tension if deflection is more than 3mm (1/8").

Idler Chain Adjustment

1. Remove the firewall from the vehicle as detailed in Section 7.3.1 for the Vanguard and Section 7.4.4 for the Vanguard2, Bigfoot, Response and Conquest.
2. Loosen the 2 left side clamping nuts and 1 front pivot shaft nut with a 15/16" socket wrench (figure 7-16). Loosen the 3/8" hex nut (117-15) securing the adjustment support (602-27), just above the transmission, to the hood frame assembly. (Refer to Section 6.0 of the Parts Manual.)
3. Turn the vertical adjustment bolts counter-clockwise to raise the power pack and tighten the idler chains. The idler chains are properly adjusted when the deflection measures 3 mm (1/8"), (Figure 7-15).
4. Tighten the 2 left side clamping nuts and 1 pivot shaft nut securely. Tighten the adjustable support fasteners with the rubber bumper (126-88) pressed down firmly onto the top of the transmission.

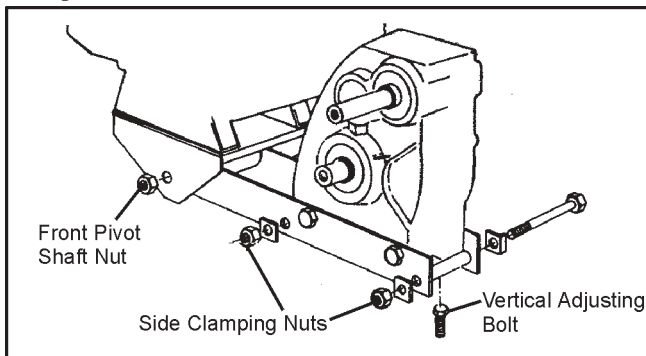


Figure 7-16. Location of power pack clamping nuts and adjusting bolts

Idler Chain Replacement

Replacement of the idler chains is required if the adjustment bolt is fully extended and idler chain deflection still exceeds 3 mm (1/8").

To Remove the Idler Chains:

Loosen the power pack clamping nuts and adjusting bolts as shown in Figure 7-16 and proceed as follows:

1. Place the gearshift in neutral and roll the vehicle until the connecting link of one of the idler chains is positioned as shown in Figure 7-17.
2. Remove the spring clip from the connecting link. Remove the outside plate and tap out the connecting link. As the connecting link is removed, the inside plates will be released (refer to Figure 7-7).
3. Remove the idler chain from the vehicle.
4. Repeat steps 1 to 3 to remove the other idler chain.

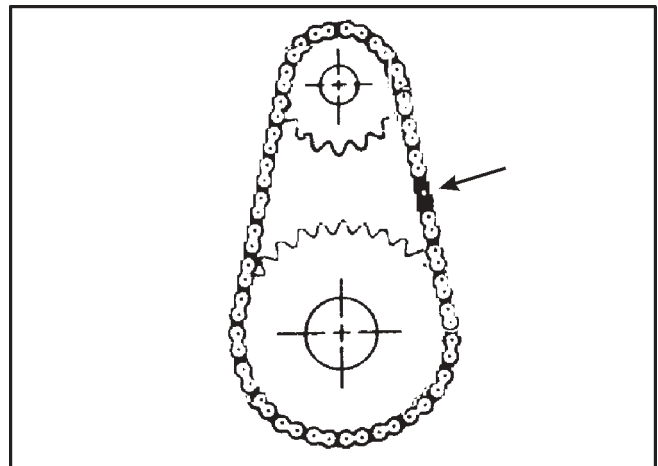


Figure 7-17. Position of idler chain link for removal

To Install the Idler Chains:

1. Install the chain over the brake disc sprocket and the idler shaft sprocket.
2. Pull the ends of the chains together and insert the connecting link. Insert the inside plates before pushing the connecting link into position.

NOTE: Use a pair of modified 7R Vice Grips to hold the ends of the chain together while inserting the connecting link. There may be no slack in the idler chain, making installation of the connecting link difficult without this tool. Modified Vice Grips can be ordered from your ARGO dealer (ARGO Part No. 658-08) or refer to Appendix 1 for modification information.

3. Replace the outside plate and spring clip as shown in Figure 7-7.
4. Repeat steps 1 to 3 to replace the other idler chain.

SECTION 7 MAINTENANCE INFORMATION

7.2.6 TIRE INFLATION

Improperly inflated tires can cause the vehicle to pull to one side, requiring constant steering correction. Suggested inflation for the Runamuk 22x10.00-8, Rawhide III 22x11.00-8 and Rawhide III 25x12.00-9 is between 2.5 to 3.5 psi (17 to 24 kPa). Maximum operating pressure is 5 psi (34 kPa).

A special low pressure tire gauge (ARGO Part No. 619-10) is available from your ARGO dealer.

7.2.7 TIRE REPAIR AND REPLACEMENT

Repair a flat tire by removing the tire completely from the rim. Proper tire changing equipment is necessary to remove and remount the tire.

Apply a radial tire patch on the inside of the tire over the puncture or hole.

Remount the tire on the rim using ONLY WATER as a bead lubricant. Spoon the tire onto the rim to prevent tire bead area damage. THE TIRE MAY EXPLODE IF OVER-INFLATED. Place the tire and rim assembly in a protective cage to inflate and to seat the beads. Never inflate over 32 psi (220 kPa) to seat the bead. Once both beads are seated, deflate to 2.5 to 3.5 psi (17 to 24 kPa), 5 psi (34 kPa) maximum operating pressure. A special, low pressure tire gauge (ARGO Part No. 619-10) is available from your ARGO dealer.

Replace badly worn or damaged tires with original equipment Goodyear tires. Consult your ARGO dealer if in doubt. Any other tires (size, type or tread pattern), will affect the skid steering characteristics of the vehicle.

ARGO track systems are designed for use ONLY with original equipment Goodyear Runamuk tires.

7.2.8 AXLE BEARING MOUNTING

The axles are mounted to the Argo using special cork gaskets between the flanged bearings and the outside surface of the lower body (see Figure 7-18). During the initial run-in period, the gasket material may relax causing the nuts to loosen slightly. These should be checked and re-tightened after initial 8 hours of use and then after every 100 hours. See Figure 7-19.



Figure 7-18. Bearing Flange and Cork Gasket

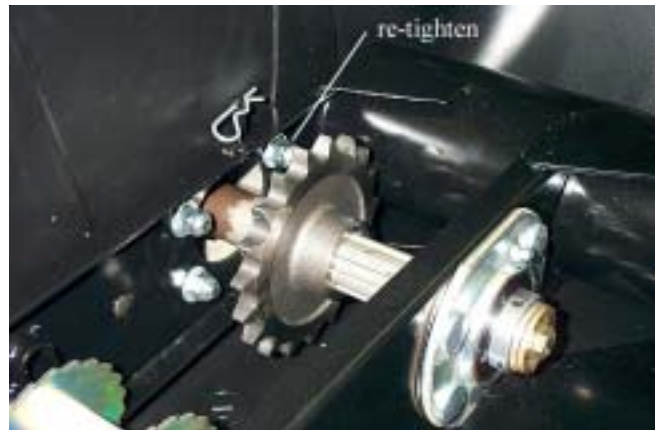


Figure 7-19. Re-tightening bolts.

7.3 MECHANICAL BRAKES - 6x6 VANGUARD

7.3.1 GENERAL

Periodic inspection and adjustment of the mechanical brake system is required to maintain optimum vehicle performance. Inspect the brake pads after every 25 hours of use. Badly worn pads can lead to brake disc damage. To inspect the pads, first remove the firewall:

To remove the firewall:

1. Remove the front floor pan.
2. Turn the firewall release catches (located at the top right and left side of the firewall) counter-clockwise 1/4 turn.
3. Pull both steering levers back, away from the dash as far as possible.
4. Pull the top of the firewall back and lift it out of the vehicle.

SECTION 7 MAINTENANCE INFORMATION

Mechanical brake inspection procedure

With the firewall removed, inspect both brake caliper assemblies.

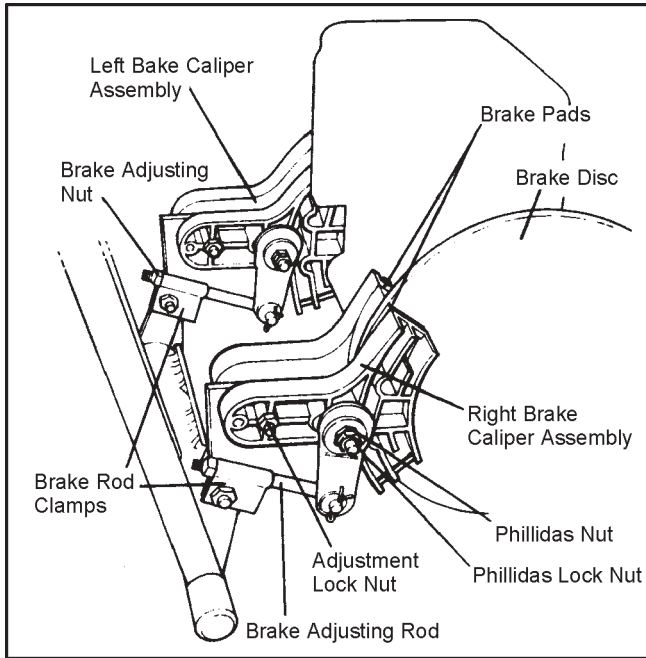


Figure 7-20. Mechanical brake assemblies

7.3.2 BRAKE CALIPER ADJUSTMENT

Adjust the calipers when:

- the brake adjustment nuts are tightened all the way but the steering lever travel still exceeds 7" or
- the total clearance between the brake pads and the brake disc exceeds .010".

To adjust the brake calipers:

1. Tighten the lock nut with a 1/2" open end wrench, no wider than the thickness of the lock nut (Figure 7-21). As the lock nut is tightened, measure the clearance between the brake disc and pad as shown in Figure 7-22, using a .010" feeler gauge. .010" is the correct clearance between the left brake pad and the brake disc when the right pad is pressed against the disc.
2. Use another 1/2" open wrench to tighten the outer lock nut to the inner one.
3. Tighten the adjustment lock nut with a 1/2" wrench so it is snug but the bolt can still be turned freely with fingers.

4. Adjust the other brake caliper assembly by repeating steps 1 to 3.

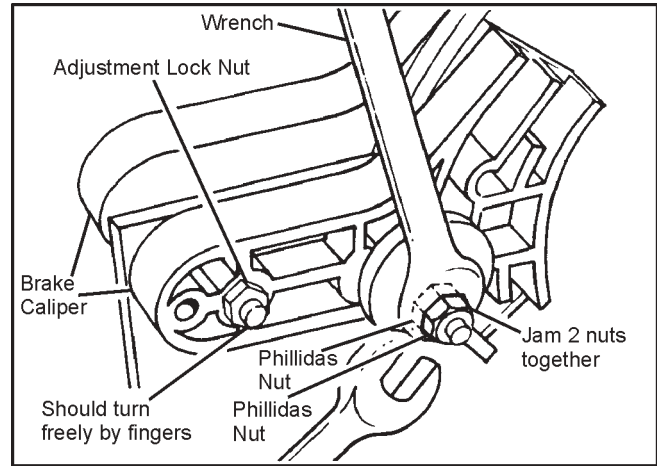


Figure 7-21. Tightening the lock nut

7.3.3 BRAKE PAD REPLACEMENT

During the inspection of all 4 brake pads, if they are:

- worn to 3 mm (1/8") thickness as shown in Figure 7-22;
- glazed and brake efficiency is affected; or
- contaminated with lubricant and brake performance is affected;

they are no longer serviceable and must be replaced.

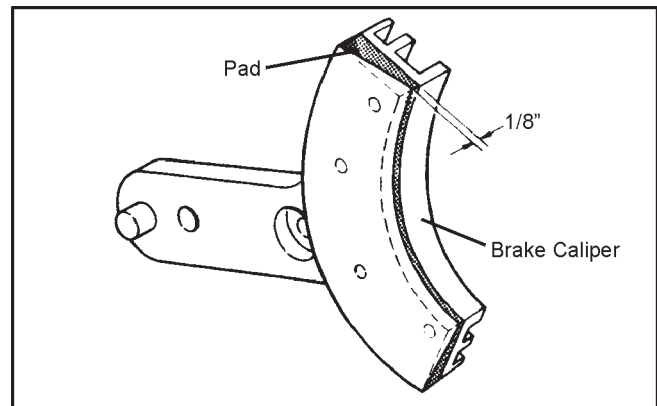


Figure 7-22. Measuring the distance between the brake disc and brake pad.

To replace the brake pads:

Use an electric drill and 1/4" drill bit to remove the heads of the rivets holding the old pads to the calipers. Clear the remainder of the rivets from the calipers and install each 100-56 brake pad set (2 pads) using 8 of 120-09 rivets and a pop riveting tool to fasten the pad in place. Alternatively, an ARGO dealer will replace brake pads for you.

SECTION 7

MAINTENANCE INFORMATION

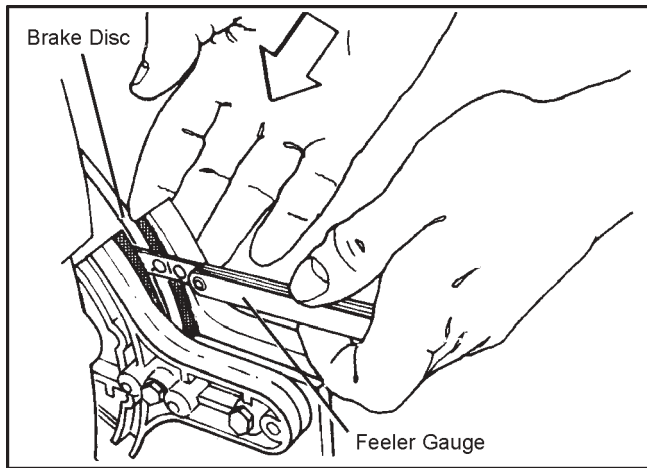


Figure 7-23. Brake pad wear, mechanical brakes

7.3.4 STEERING LEVER ADJUSTMENT

Adjust the steering levers when:

- steering levers travel more than 18 cm (7") from the dash to apply the brakes;
- the levers are not parallel when the brakes are applied; or
- the brake adjustment nuts have been removed during the removal of the firewall.

To adjust the steering levers, tighten both brake adjustment nuts (refer to Figure 7-20) clockwise using a 1/2" deep socket and ratchet until the levers are both 18 cm (7") from the dash. **DO NOT OVER TIGHTEN.**

7.3.5 HOLDING BRAKE ADJUSTMENT

Although the holding brake system has been factory adjusted, it should be checked after every 25 operating hours to ensure the correct adjustment.

⚠ WARNING

The use of an improperly adjusted holding brake is a serious safety hazard, and could lead to vehicle damage or personal injury.

1. Pull the left steering lever back.
2. While holding the lever, lift the spring loaded brake lever until it contacts the pin in the steering lever.
3. Release the steering lever, allowing the holding brake lever to lock the left brake on.
4. If the steering lever grip is approximately 18 cm (7") from the dash, the holding brake system is correctly adjusted.

5. If the distance from the dash is greater, refer to Section 7.3.4 STEERING LEVER ADJUSTMENT to properly set the left lever.

To reinstall the firewall:

1. Pull both steering levers back, away from the dash as far as possible.
2. Position the firewall in the driving compartment.
3. Insert the bottom edge of the firewall in front of the retaining bracket.
4. Move the top of the firewall forward into position, aligning the two release catches.
5. Turn the two release catches clockwise 1/4 turn to lock.

7.4 HYDRAULIC BRAKES - VANGUARD2, BIGFOOT, RESPONSE and CONQUEST

7.4.1 GENERAL

Although the hydraulic brake system is self adjusting, the following require periodic attention:

7.4.2 BRAKE FLUID LEVEL

After every 50 hours of operation, check the brake fluid level through the side mounted view window in each master cylinder (Figure 7-24). The fluid level must be above the top of the view window.

If the brake fluid is below this level:

1. Thoroughly clean the master cylinder cover and surrounding area.
2. Remove the two cover screws, lift off the cover and the gasket.
3. Add only fresh clean SILICONE - DOT 5 BRAKE FLUID (ARGO Part No. 126-19) to the correct level.
4. Replace the cover on each master cylinder, making sure the rubber gaskets are properly seated before tightening the cover screws.

SECTION 7 MAINTENANCE INFORMATION

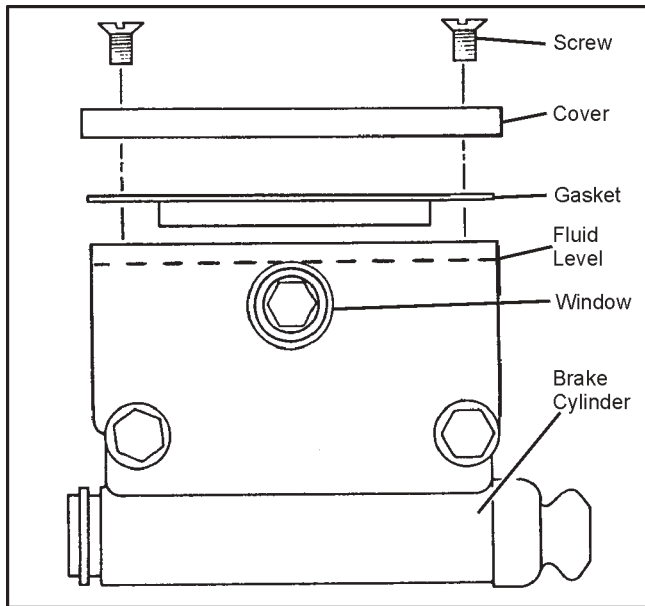


Figure 7-24. Hydraulic brake cylinder and fluid level

CAUTION

Do not overfill the brake master cylinders. Fluid level must be at the top of the view window. Overfilling can cause seal damage.

Use only SILICONE - DOT5 BRAKE FLUID. Other brake fluid may not be compatible with ARGO brake components and operating temperatures. Use of other fluids will void the warranty.

7.4.3 CHANGING BRAKE FLUID

The inherent stability of Silicone DOT 5 Brake Fluid reduces the need for frequent brake fluid replacement. Inspect the fluid for degradation (discolouration or particles) during normal fluid level inspections. If discolouration has occurred, the brake fluid system should be drained, flushed and re-filled with fresh brake fluid. If particles are evident in the fluid, drain the system, overhaul the master cylinder and the brake caliper before flushing and refilling. An ARGO dealer will perform these operations for you.

7.4.4 HYDRAULIC BRAKE PAD INSPECTION

Inspect the brake pads after every 25 hours of operation. Worn, glazed or contaminated brake pads affect the efficiency of the brake system. To inspect the pads, first remove the firewall.

To remove the firewall:

1. Turn the firewall release catch (located at the bottom of the firewall) counter-clockwise 1/4 turn.
2. Using the finger holes, pull the bottom of the firewall back until the top of the firewall is clear of the vehicle dash.
3. Lift the firewall clear of the driving compartment.

Brake Pad Inspection Procedure

With the firewall removed, both hydraulic brake calipers are visible. Each caliper has 2 brake pads which are secured by cotter pins (Figure 7-27). Inspect all 4 brake pads. Replace the pads when:

- the brake lining material molded to each metal backing plate is worn to 0.10" thickness. (Figure 7-26)
- the pads are glazed and brake performance is affected.
- the pads are contaminated with lubricant, and brake performance is affected.

To replace the brake pads:

Remove both cotter pins from each brake caliper. Remove each brake caliper from the transmission using a 5/16" hex driver to remove the two 103-41 SHCS mounting bolts accessible through the brake disc holes as shown in Figure 7-25. Without disturbing the connection of the hydraulic hose assembly, swing the caliper away from the brake disc to allow the removal of the brake pads as shown in Figure 7-27. Install the brake pads into the caliper assembly. Remount the caliper to the transmission, using #242 Loctite or equivalent removable compound on the threads of the 103-41 SHCS mounting bolts and tighten securely. Insert two new cotter pins and bend the ends over to secure the pads in position.

Pump the steering levers a few times to build up proper pressure and to locate the pads in the caliper assembly. Check the steering lever travel and adjust if required.

SECTION 7 MAINTENANCE INFORMATION

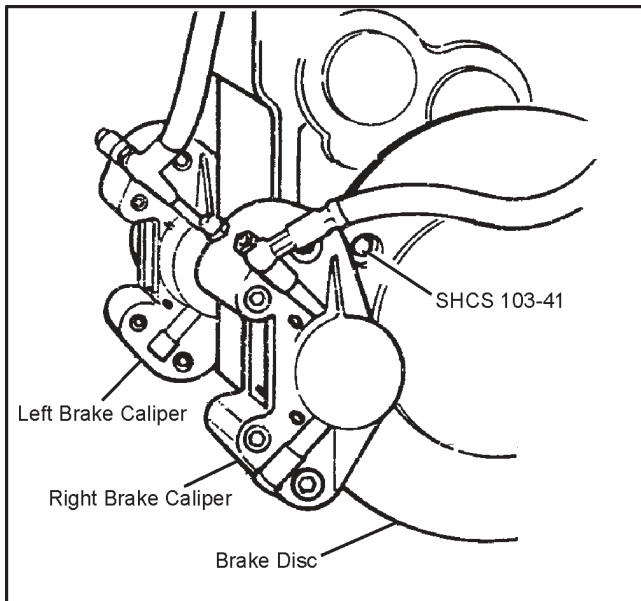


Figure 7-25. Hydraulic brake assemblies

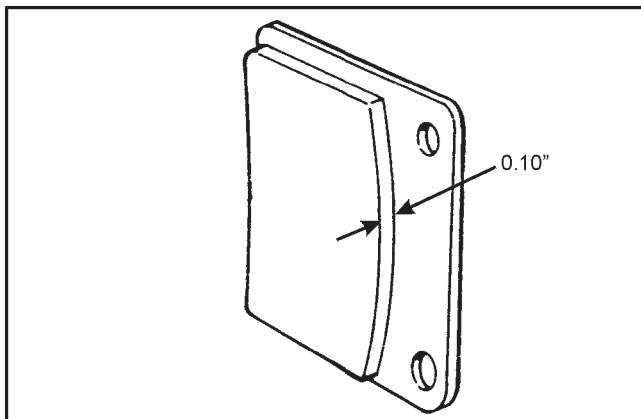


Figure 7-26. Brake pad wear, hydraulic brakes

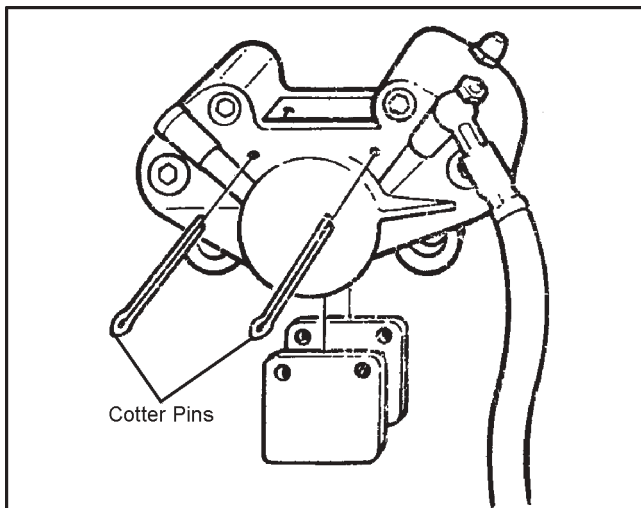


Figure 7-27. Removing the brake pads from the brake caliper

To replace the firewall:

1. Position the firewall in the driving compartment.
2. Insert the top of the firewall under the vehicle dash into the cavity of the dash brace.
3. Slide the bottom of the firewall forward. Make sure that the side bracket supports mounted on the dashboard stay behind the firewall.
4. Line up the firewall release catch with the mounting clasp on the frame and turn clockwise 1/4 turn to lock.

⚠ WARNING

Do NOT operate the ARGO with the firewall removed.

7.4.5 HOLDING BRAKE ADJUSTMENT

The holding brake system has been factory adjusted to ensure proper braking effectiveness. However, **before the vehicle is used for the first time**, and after every 25 hours of operation, the adjustment of the holding brake **must** be inspected.

⚠ WARNING

The use of an improperly adjusted holding brake is a serious hazard, and could lead to vehicle damage or personal injury.

1. Pull each steering lever back until you feel resistance.
2. While holding the levers back, push each holding brake handle down until it rests against the brake lever stop.
3. Check the distance between the holding brake stop on each steering lever and the holding brake adjusting screw.
4. If the distance is approximately 1/16" (1.6mm) the holding brake system is correctly adjusted.
5. If not, turn the holding brake adjuster screw in the direction required for correct distance.

⚠ CAUTION

If the holding brake system is too tight, excessive pressure in the brake system will damage the seals.

SECTION 7 MAINTENANCE INFORMATION

7.4.6 BRAKE COOLING SYSTEM

Eight wheel vehicles with hydraulic brakes have a 12 volt fan forcing cool air from outside the engine compartment onto the brake components to protect the system from overheating. Overheating can damage the hydraulic brake components. Make sure the brake cooling fan is operating when the vehicle is being driven. The fan operates when the ignition switch is in the “run” position. Keep the brake cooling system in good working order by:

- cleaning debris from the air intake screen and ducts.
- keeping electrical connections tight and components securely mounted.

7.4.7 ENGINE COOLING & EXHAUST SYSTEM

Engine cooling air is drawn in on the right side of the engine compartment and expelled with the exhaust on the left side. Keep all ducting and screening in place.

WARNING

If the vehicle is equipped with an enclosed cab of any sort, make sure there is plenty of ventilation to avoid exposure to exhaust and engine fumes. Engine exhaust contains carbon monoxide; an odourless, colourless toxic gas that will cause serious personal injury or death. Inspect the exhaust system periodically for worn or damaged components. Listen for a change in exhaust or engine noise that may indicate a dangerous exhaust leak. If a leak is detected, have the exhaust system repaired immediately before further use.

Check the area around the exhaust system periodically for accumulated debris, particularly when traveling through dry vegetation. Failure to inspect and clean the exhaust system on a regular basis may create a fire hazard.

*The tail pipe exiting through the left side of the upper body becomes very hot when the vehicle is operated. **DO NOT ALLOW ANYONE TO TOUCH THE EXHAUST COMPONENTS. A SEVERE BURN CAN RESULT.***

NOTE

An annual complete check over of your ARGO vehicle is recommended. This will reduce maintenance costs over the life of your vehicle and ensure it will function properly during use periods.

SECTION 7 MAINTENANCE INFORMATION

	BEFORE EACH USE	AFTER INITIAL			EVERY					SECTION REF.
		2hrs.	8hrs.	20hrs.	10hrs.	25hrs.	50hrs.	100hrs.	250hrs.	
CHECK COOLANT LEVEL (CONQUEST)	X									
CHECK FAN BELT TENSION (CONQUEST)	X									
CHECK FUEL LEVEL	X									2.2
CHECK TIRE INFLATION	X									7.2.6
CHECK TWIST GRIP THROTTLE OPER.	X									2.2
CHECK STEERING LEVER TRAVEL	X									2.2
CHECK ENGINE INTAKE/EXH. FOR OBSTR.	X									2.2
CHECK THAT DRAIN PLUGS ARE IN PLACE	X									5.6
CHECK ENGINE OIL LEVEL	X									6.1.1
CHANGE ENGINE OIL & OIL FILTER										
- KAWASAKI			X			X				6.1.3
- BRIGGS & STRATTON		X				X				6.1.3
CHECK TRANSMISSION OIL LEVEL		X				X				6.2.1
CHANGE TRANSMISSION OIL			X				X			6.2.2
CLEAN AIR PRE-CLEANER					X					6.3.1
CHECK CLEAN/REPLACE AIR FILTER							X			6.3.1
REPLACE FUEL FILTER								X		6.3.2
LUBRICATE DRIVEN CLUTCH						X				6.4.2
SERVICE DRIVER & DRIVEN CLUTCH								X		6.4.2
LUBRICATE DRIVE CHAINS				X						6.4.3
REMOVE, CLEAN & LUBE. DRIVE CHAINS							X			6.4.3
LUBRICATE IDLER CHAINS				X						6.4.4
REMOVE, CLEAN & LUBE. IDLER CHAINS							X			6.4.4
LUBRICATE AXLE FLANGE - OUTER CAVITY					X					6.4.5
LUBRICATE AXLE FLANGE - INNER CAVITY							X			6.4.5
LUBRICATE INNER AXLE BEARINGS							X			6.4.7
LUBRICATE IDLER BEARINGS								X		6.4.6
LUBRICATE STEERING LEVERS					X					
CHECK BATTERY FLUID LEVEL & CAPS						X				7.1.2
CLEAN BATTERY TERMINALS & CONNEX.							X			7.1.2
CLEAN BATTERY								X		7.1.2
CLEAN, ADJUST/REPLACE SPARK PLUGS							X			7.1.4
CHECK THE DRIVE BELT					X					7.2.1
CHECK NYLON SLIDERS - DRIVEN CLUTCH						X				7.2.2
CHECK SLIDERS - CHAIN TAKE-UP SYSTEM	X			X		X				7.2.4
CHECK & ADJUST IDLER CHAINS	X					X				7.2.5
SERVICE THE CLUTCH UNITS								X		6.4.2
INSPECT BRAKE PADS					X					7.3.1
ADJUST HOLDING BRAKE					X					7.3.5
CHECK HYD. BRAKE FLUID LEVEL/COND.						X				7.4.2
CHECK FUEL TANK CONNECTIONS/LINES							X			
INSPECT WIRING HARNESS							X			
TIGHTEN BEARING EXT. BOLTS		X					X			7.2.8
CLEAN OUT SPARK ARRESTER						X				7.1.5

The intervals shown on the schedule are based on average operating conditions. Vehicles which are subjected to severe use and wet or dusty conditions will require more frequent servicing. Use only Argo replacement parts to ensure safe operation of the vehicle and to comply with the warranty coverage.

We strongly recommend that an Argo Dealer perform a complete check-over of your vehicle after the initial 20 hours of operation, then once each year. This will reduce maintenance costs over the life of your vehicle.

SECTION 8 TROUBLE SHOOTING

MALFUNCTION (SYMPTOM)	PROBABLE CAUSE	CORRECTIVE ACTION
Electric starter inoperative	<ol style="list-style-type: none"> 1. Loose electrical connections 2. Battery charge low or dead 3. Faulty starter motor 	<ol style="list-style-type: none"> 1. Clean and re-tighten electrical connections 2. Recharge battery or replace as necessary 3. Return the vehicle to an Argo dealer for servicing
Engine turns over but will not start	<ol style="list-style-type: none"> 1. Engine is cold and choke is not pulled out 2. Fuel tank is empty 3. Blocked fuel or air filter 4. Carburetor adjustment too lean 5. Spark plugs defective or fouled 6. Ignition system inoperative 7. Insufficient compression 8. Improperly operating electric fuel pump or fuel shut off solenoid. KAWASAKI ENGINE ONLY. 	<ol style="list-style-type: none"> 1. Pull out the choke and try to start again 2. Refill tank 3. Remove obstruction or replace filter as necessary 4. Adjust as detailed in the engine manufacturer's manual 5. Clean and re-gap or replace 6. Have unit serviced by a properly trained and equipped mechanic 7. Take the vehicle to a factory authorized engine repair outlet 8. Check that electric fuel pump is operating. Make sure fuel shut off solenoid is activated to allow fuel into carburetor.
Engine will not run		<ol style="list-style-type: none"> 1. Refer to engine manual
Vehicle will not move or turn	<ol style="list-style-type: none"> 1. Transmission in neutral or not properly engaged in gear 2. Drive belt worn (see Section 7.2.1) 3. Clutch not engaging 4. Transmission failure 5. Brakes not functioning 6. Idler chain broken 7. Idler sprocket weld broken 	<ol style="list-style-type: none"> 1. Place gear shift properly in gear 2. Replace belt if worn excessively 3. Return the vehicle to an Argo dealer for servicing 4. Same as 3. above 5. Adjust caliper or replace brake pads 6. Repair or replace 7. Have vehicle serviced by an Argo dealer
Vehicle pulls to right	<ol style="list-style-type: none"> 1. Right tire pressure too low 2. Left tire pressure too high 3. Right brake engaged 4. Right side drive chain broken 	<ol style="list-style-type: none"> 1. Inflate all tires to the correct pressure 2. Same as above 3. Make sure the steering lever is held forward against the dash. Adjust brake assembly if required. 4. Repair or replace
Vehicle pulls to left	<ol style="list-style-type: none"> 1. See "Vehicle pulls to right" - substitute right with left 	

SECTION 8 TROUBLE SHOOTING

MALFUNCTION (SYMPTOM)	PROBABLE CAUSE	CORRECTIVE ACTION
Severe vibration when vehicle is operated	<ol style="list-style-type: none"> 1. Engine loose on mounts 2. Driver or driven clutch or engine defective 3. Axle bent 4. Wheel rim bent 5. Worn or damaged drive belt 	<ol style="list-style-type: none"> 1. Take vehicle to an Argo dealer for service. 2. Same as above. 3. Remove and straighten or replace. 4. Replace. 5. Replace. Clutch service may be required.
Water leaks into lower body	<ol style="list-style-type: none"> 1. Leak has developed at the axle bearing flange 2. Bearing flange seal has been damaged 3. Water is leaking in around the outer bearing flange bolts 4. Lower body is cut or punctured 5. Drain plugs not in place 	<ol style="list-style-type: none"> 1. Replace the bearing flange gaskets. 2. Replace the bearing flange seal. 3. Caulk under 103-81 bolt heads with silicone sealer. 4. Repair or replace vehicle lower body 5. Secure drain plugs.
Tire leaks air	<ol style="list-style-type: none"> 1. Tire is punctured 2. Tire is not properly seated on bead 3. Position of air leak is not obvious 4. Defective valve 	<ol style="list-style-type: none"> 1. Remove tire from rim and repair the hole with a radial tire patch or install a tube in the tire. 2. Deflate tire and carefully push tire bead off the rim. Clean the rim bead area to remove dirt and foreign matter. Re-inflate tire. 3. Submerge tire and rim in a water tank. Air may be escaping through the rim halves or the valve stem. Repair as required. 4. Replace defective valve.
Hydraulic brakes are spongy, or there is excessive steering lever travel	<ol style="list-style-type: none"> 1. Air in hydraulic system 2. Leak in system 3. Loose brakes 	<ol style="list-style-type: none"> 1. Have an Argo dealer bleed the brake system and add fluid. 2. Have an Argo dealer check all fittings, hoses, calipers and seals for loose connections or leakage. Refill as needed. 3. Adjust or tighten.
Brakes ineffective	<ol style="list-style-type: none"> 1. Pads have overheated and glazed 2. Pads worn beyond 0.10" 3. Pads are contaminated with lubricant 	<ol style="list-style-type: none"> 1. Have the pads cleaned by an Argo dealer or replace pads. 2. Replace. 3. Have the pads cleaned by an Argo dealer or replace pads.
There is a loud bang when the vehicle is turned right or left	<ol style="list-style-type: none"> 1. Idler chains worn/loose 2. Drive chains worn/loose 	<ol style="list-style-type: none"> 1. Adjust/replace idler chains as required 2. Adjust/replace drive chains as required

SECTION 9 CLEANING AND STORAGE

9.1 CLEANING THE VEHICLE

Wash the vehicle body with a household detergent and rinse with water. Flush dirt out of the lower body by using a high pressure sprayer or garden hose after removing the drain plugs. After the bottom of the vehicle is dry, lubricate the drive chains with ARGO chain Lube. Make sure the drain plugs are replaced.

9.2 STORING THE VEHICLE

When the vehicle is stored for an extended period, the following preparation is required:

Clean the Vehicle

Remove all dirt and water from the vehicle body as directed above.

Remove the drain plugs if the vehicle is not fully sheltered from the elements.

CAUTION

Any water accumulation in the vehicle will, over time, destroy chains, sprockets and bearings. Grease all bearings and flanges (refer to Section 6.4.5).

NOTE

Bearing corrosion due to inadequate preparation for storage is the leading cause of premature bearing failure.

Drain the Fuel System

Insert a siphon hose into the gas tank through the filler neck and drain the gasoline. Start the engine and run it until all fuel in the system is consumed.

OR

Add fuel stabilizer (ARGO Part No. 127-77) to the fuel tank and fill with fresh gasoline. Run the engine for a few minutes to allow the treated fuel to reach the carburetor.

Prepare the Battery for Storage

Remove the battery from the vehicle. Clean it and charge it with a battery charger. Coat the battery terminals with a multi-purpose grease to prevent corrosion. Store the battery in a cool dry place.

WARNING

Do not store the battery near flames, sparks or any source of fire. Batteries can explode if exposed to flames or sparks, causing serious personal injury.

Recharge the battery monthly.

Protect the Electrical System

Spray the wiring harnesses and all the electrical connections with a silicone based lubricant (WD40 or equivalent) to prevent corrosion.

Carefully inspect the wiring for loose connections, bare wires or corrosion. Repair as necessary.

Raise the Vehicle

Place blocks under the front and rear of the vehicle to raise the tires off the ground. The blocks must be placed under the frame members to prevent body damage (Figure 9-1).

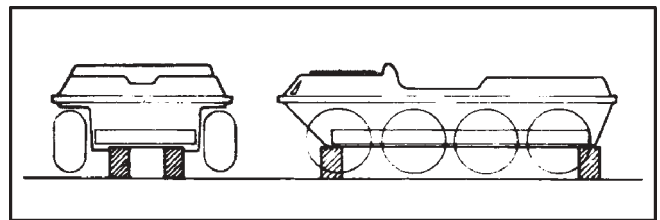












Figure 9-1 Correct placement of blocks











Preparing the Engine for Storage

Read the engine operator's manual and carry out all recommended storage procedures.












SECTION 10 POTENTIAL HAZARDS

	POTENTIAL HAZARD	WHAT CAN HAPPEN	HOW TO AVOID THE HAZARD
	Operating the Argo without reading and understanding the Operator's Manual	The risk of accident is greatly increased if the operator does not know how to operate the Argo properly in different situations and on different types of terrain.	New or inexperienced operators should read and understand the Operator's Manual. They should then regularly practice the operating techniques described in this Operator's Manual.
	Allowing anyone under age 16 to operate this vehicle.	Children under the age of 16 may not have the skills, abilities, or judgement needed to operate the Argo safely and may be involved in an accident causing severe injury or death.	No one under the age of 16 should be allowed to operate the Argo.
	Operating or riding as a passenger in the Argo without wearing an approved motorcycle helmet, eye protection, and protective clothing.	Operating or driving without an approved motorcycle helmet increases the chance of severe head injury or death in the event of an accident. Operating or driving without eye protection can result in an accident and increases your chances of a severe injury in the event of an accident.	Wear an approved safety helmet and eye protection when driving or riding in the vehicle.
	Operating the Argo after or while consuming alcohol or drugs.	Could seriously affect your judgement, cause you to react more slowly, and affect your balance and perception. This could result in an accident.	Never allow anyone under the influence of alcohol or any other intoxicating substance to drive or ride in the vehicle. Never use with drugs or alcohol.
	Carrying passengers in the dump box.	Riders can fall off and be killed.	No riders in the dump box.
	Carrying cargo when using the Argo in water.	Argo vehicles may sink if they fill with water, resulting in injury or drowning to driver and passengers. If the vehicle upsets or swamps, exposure in cold water significantly reduces the chance of survival.	Be especially cautious when operating a loaded vehicle (cargo and/or passengers) in water. Observe the capacity limits. Do not enter water if the vehicle is overloaded. Use extra caution when operating the Argo in cold water.
	Carrying cargo in the dump box when used in water.	Greatly reduces your ability to balance and control the Argo in the water. Could cause an accident, including capsizing and sinking, resulting in injury or drowning to driver and passengers.	Do not exceed the rated capacity of the dump box equipped Argo when used in water.
	Operating the Argo in water without drain plugs properly installed.	Will cause the vehicle to fill with water and cause it to capsize or sink, which could result in injury or drowning to driver and passengers.	Always make sure the drain plugs are properly installed in the Argo as described in the Operator's Manual.
	Using the Argo to tow anything in the water other than an Argo amphibious trailer.	Greatly reduces your ability to balance and control the Argo in the water. Could cause an accident, including capsizing and sinking, which could result in injury or drowning to driver and passengers.	Never tow anything other than an Argo amphibious trailer when the Argo is used in water. Keep cargo low and centered in the trailer, especially if used in water.
	Operating the Argo in rough water.	Greatly reduces your ability to balance and control the Argo in the water. Could cause an accident, including capsizing and sinking, which could result in injury or drowning to driver and passengers.	Do not attempt to navigate any body of water with a strong current. Avoid water operation under windy conditions. Do not attempt to cross large bodies of water. Stay close to shore in case of emergency and you have to leave the water.











SECTION 10 POTENTIAL HAZARDS

	POTENTIAL HAZARD	WHAT CAN HAPPEN	HOW TO AVOID THE HAZARD
	Operating or driving the Argo in water without the occupants wearing an approved personal flotation device (PFD).	If you lose control of the Argo in water and it capsizes and sinks, the driver and passengers may be injured or drown.	All occupants must wear an approved personal flotation device (PFD) or life jacket while travelling in water.
	Operating the Argo in water without taking along a paddle.	If you run out of gas or have an engine failure the Argo will not be able to move under it's own power and you may be stranded.	Equip the vehicle with a paddle and bailing can.
	Failure of driver and passengers to adjust positions so that the vehicle is floating level when operating the Argo in water.	Water may enter the vehicle and cause it to capsize or sink, which could result in injury or drowning to driver and passengers.	When using the Argo in water, adjust the position of cargo and passengers so the vehicle floats level.
	Failure to enter the water correctly.	You may cause waves, which will enter the Argo and cause it to capsize or sink, which could result in injury or drowning to driver and passengers.	The point of entry should be free of rocks, stumps and other obstacles. Enter the water from a firm, gradual slope whenever possible. Be careful not to submerge the bumper as you enter the water.
	Carrying more than specified number of people in an Argo, either on land or in water.	Greatly reduces ability to balance and control the Argo on both land and in the water and could cause an accident, resulting in injury or death to driver and passengers.	Never exceed the load capacity of the Argo: 6x6 - Land-4 people/317 kg (700 lbs.) - Water-2 people/158 kg (350 lbs.) 8x8 - Land-6 people/454 kg (1000 lbs.) - Water-4 people/317 kg (700 lbs.)
	Overloading the vehicle.	Heavy loads and high loads decrease the stability of the vehicle and may cause it to roll. Trying to steer an overloaded vehicle can overheat the brakes. This will lead to brake fade which means loss of steering control and the ability to stop the vehicle. Overloading your vehicle can lead to premature brake system failures and costly damage to drive chains, axles or bearings.	Follow the recommended load capacity for your vehicle listed in Section 1.
	Overloading cargo area in 6x6.	Exceeding the weight limitation will decrease the stability of the vehicle on inclines and increase the possibility of rolling over backwards when climbing a grade.	The rear compartment capacity of all 6 wheel Argo vehicles is 65 kg (140 lbs). Do not exceed this weight in the rear compartment.
	Failure to fasten seat belts if the Argo is equipped with rollover protection.	If the Argo overturns, the driver and passengers may be thrown from the vehicle and the roll bar or roll cage could strike them.	Seat belts must be properly adjusted and worn by all occupants at all times EXCEPT when operating in water.
	Failure to unfasten seat belts (if the Argo is so equipped) when the vehicle is in water.	If the Argo capsizes or sinks the driver and passengers may be unable to unfasten their seat belts and may drown.	Do not use seat belts or any passenger restraining device while operating an Argo in water.
	Failure to inspect the Argo before operating. Failure to properly maintain the Argo.	Increases the possibility of an accident or equipment damage.	Always inspect your Argo each time you use it to make sure it is in safe operating condition. Always follow the inspection and maintenance procedures and schedules described in this Operator's Manual.

SECTION 10 POTENTIAL HAZARDS

	POTENTIAL HAZARD	WHAT CAN HAPPEN	HOW TO AVOID THE HAZARD
	Operating the Argo with improper tires or with improper or uneven tire pressure.	Use of improper tires on the Argo, or operation of the Argo with improper or uneven tire pressure may cause loss of control increasing your risk of an accident.	Always use the size and type tires specified in this Operator's Manual for this Argo. Always maintain proper tire pressure as described in this Operator's Manual.
	Operating the Argo with improper modifications.	Improper installation of accessories or modification of the Argo may cause changes in handling which in some situations could lead to an accident.	Never modify the Argo through improper installation or improper use of accessories. All parts and accessories added to this Argo should be genuine Argo components designed for use on the Argo and should be installed and used according to instructions. If you have questions, consult an authorized Argo dealer or contact Ontario Drive & Gear Limited at 1-519-662-4000
	Applying brakes suddenly when going downhill.	Sudden braking can cause the vehicle to roll over forward.	Gently apply the brakes to control downward vehicle speed. Do not jam on the brakes while travelling downhill.
	Operating the Argo on paved surfaces.	Pavement may seriously affect handling and control.	Do not drive your vehicle on asphalt or concrete roadways.
	Operating Argo on public streets, roads or highways.	A collision can occur with another vehicle.	Never drive on public roads.
	Operating at excessive speeds.	Personal injury or vehicle damage may result.	Do not drive the vehicle at high speeds over unfamiliar or rough terrain. Never operate at speeds too fast for your skills or the conditions.
	Failure to use extra care when operating the Argo on unfamiliar terrain.	Personal injury or vehicle damage may result.	Do not drive the vehicle at high speeds over unfamiliar or rough terrain.
	Failure to use extra care when operating on rough, slippery or loose terrain.	Could cause loss of traction or vehicle control, which could result in an accident, including an overturn.	Do not operate on rough, slippery or loose terrain until you have learned and practised the skills necessary to control the Argo on such terrain.
	Turning improperly.	When turning, the back of the vehicle swings to the opposite direction of the turn, creating a risk of hitting persons or objects. Sharp turns, especially at high speeds or when heavily loaded, may cause the vehicle to roll over.	Always take precautions when making turns to avoid rolling the vehicle or hitting persons or objects. Slow the vehicle down before making a turn. Do not apply the brakes too suddenly.
	Driving on inclines with a loaded vehicle.	Heavy loads and high loads decrease the stability of the vehicle and may cause it to roll.	Use extreme CAUTION when negotiating inclines with a loaded vehicle. Be prepared to shift occupant weight and load forward or have passengers get out of the vehicle to walk up an incline.
	Going downhill improperly.	Sudden braking can cause the vehicle to roll over forwards.	Avoid steep declines when possible. When a steep decline cannot be avoided, shift occupant weight to the rear of the vehicle to prevent the vehicle from rolling over.

SECTION 10 POTENTIAL HAZARDS

	POTENTIAL HAZARD	WHAT CAN HAPPEN	HOW TO AVOID THE HAZARD
	Improperly crossing hills or turning on hills.	Side slope operation greatly increases the risk of rolling the vehicle over sideways. Prolonged side slope operation may cause engine damage.	Do not drive your vehicle across the side of a hill. Observe the engine angle of operation limitations in Section 5.2.
	Stalling or rolling backwards while climbing a hill.	Could cause loss of control which could lead to an accident including an overturn.	Try to avoid steep hills. Maintain steady speed when climbing a hill. If you lose all forward speed: - keep weight uphill - lean toward the hill - pull back on both control levers to apply brakes. - slowly coast backwards down the hill using the control levers
	Improperly operating over obstacles.	Personal injury or vehicle damage may result.	Before operating in a new area, check for obstacles. Never attempt to drive over large obstacles such as large rocks or fallen trees. When you go over obstacles always follow proper procedures as described in this Operator's Manual.
	Skidding or sliding.	You may lose control of the Argo. You may also regain traction unexpectedly which may cause the Argo to overturn.	Learn to safely control skidding or sliding by practising at slow speeds and on level, smooth terrain. On extremely slippery surfaces, such as ice, go slowly and be very cautious in order to reduce the chance of skidding or sliding out of control.
	Improperly operating in reverse.	You could hit an obstacle or person behind you resulting in serious injury.	Carefully practice backing up and turning in an open area until you become accustomed to this procedure. Take precautions to avoid hitting persons or objects.
	Use of the holding brake as a parking brake.	The holding brake system is not a parking brake, and therefore is not designed to hold the vehicle in place for long periods of time. The holding brake is for short term use only. The hydraulic brake pressure could drop over time, releasing the brakes, allowing the vehicle to roll into persons or objects, causing serious injury.	When parking on an incline, engage the holding brake levers, leave the vehicle in gear, turn the engine off and block the vehicle's wheels.
	Using the firewall to brace your knees.	Damage to the firewall and serious personal injury can result from the driven clutch wearing through the firewall.	Do not push against the firewall with your knees.
	Running the engine in a closed building or confined area.	Engine exhaust gases contain poisonous carbon monoxide. Carbon monoxide is odourless, colourless and can cause serious injury or death.	Never start or run the engine in a closed building or confined area.
	Adding fuel while the engine is running or hot.	Gasoline is extremely flammable and can explode under certain conditions, causing serious injury or death.	Do not add fuel while the engine is running or hot.
	Filling outboard motor fuel tanks while they are in the Argo.	Gasoline is extremely flammable and can explode if ignited, causing serious injury or death.	Fill outboard motor fuel tanks outside of the vehicle. Wipe up any spilled fuel immediately. Do not carry or store fuel tanks in a vehicle equipped with a cab or convertible top unless adequate ventilation is provided.

SECTION 11 ACCESSORY INFORMATION

11.1 GENERAL

This section deals with accessories that have been specifically designed for the ARGO and can be purchased separately from your dealer. Special operating procedures and safety precautions must be observed before operating or using certain accessories.

11.2 CARGO TIE DOWNS (Part No. 614-06)

Cargo tie downs are intended to assist in securing a load in the rear compartment of any Argo. Use rope or elastic cords, laced over the load and through the tie down rings, to hold the load in place.

⚠ CAUTION

Never attempt to raise the vehicle by using the tie down rings as lifting points.

⚠ WARNING

Never exceed gross vehicle weight. Never exceed the maximum rear compartment weight for 6-wheelers (65 kg/140 lbs.).

11.3 ARGOTRACK SYSTEMS (Standard Track - Part Nos. 615-42K & 815-42K, Super Track - Part Nos. 625-37K, 625-42K & 825-42K)

There are two different types of track systems available for use with the Argo, the standard track system and super track. Standard tracks and super tracks are similar in basic design and use the same pins and lock collars to join the segments together. However, super tracks are wider than standard tracks.

The track systems spread the weight of the vehicle over a larger area than the tires, thereby reducing the ground pressure and allowing the vehicle to stay on top of, rather than sinking into, soft terrain.

The segmented track design allows the replacement of only those segments that may have become damaged or worn with use.

⚠ CAUTION

Only use track segments that show the Argo trademark. Other track systems may fail and damage axles, bearings and the final drive system.

Track segments will wear prematurely if used over pavement, gravel, rock or on any abrasive surface.

11.3.1 Installation Instructions

1. Join 2 track segments together, lining up the 1/4" holes. See Fig. 11-1. Hammer a track pin through the holes, placing the lock bushing as shown in the centre space provided. When installing the track pins which hold the track segments together, alternate the direction in which the pins are pushed through the track segment holes. See Fig. 11-2.

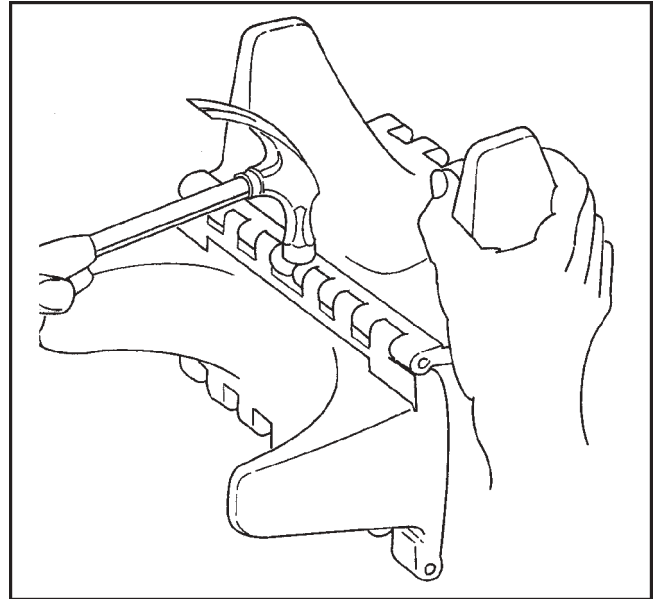


Figure 11-1 Track Assembly

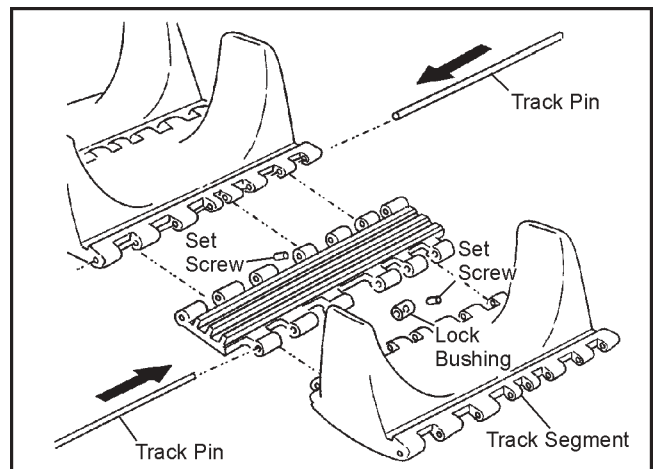


Figure 11-2 Track Assembly

NOTE

Centre the track pin so that it does not stick out on either side of the track.

SECTION 11 ACCESSORY INFORMATION

2. Apply a drop of blue 242 Loctite to the hole in the lock bushing and the set screw. Install the set screw using a 1/8" Allen wrench. **TIGHTEN SECURELY. Set screw must seat in ground recess of track pin.**
3. Assemble two complete tracks:
 - 6 wheel models - 29 segments each side for V699 models & 28 segments each side for all previous models
 - 1 half segment
 - 8 wheel models - 36 segments each side
 - 1 half segment

IMPORTANT: The actual number of track segments used will vary and will be determined when the tracks are being installed. Wrap the track assembly around the tires. Ensure they are snug to the front and rear deflated tires. Then add or remove segments until there is a gap of approximately 2" to 2-1/2" between the adjoining segments. These will have to be drawn together using two C-clamp style vise grips to install the connecting pin.

NOTE

If the tracks, when laid on the ground, appear to curve to one side, then turn one set so that they curve in opposite directions, as shown in Fig. 11-3. If this is **NOT** done, the vehicle may pull to the left or right during straight line operation.

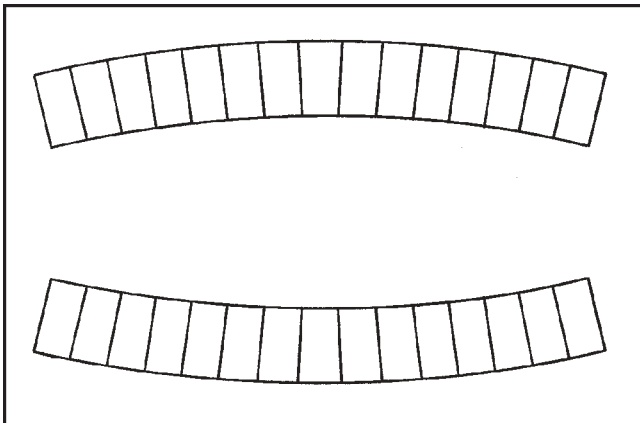


Figure 11-3 Track Assembly

4. Lay the two assembled tracks on the ground. Drive the vehicle forward onto the tracks until only two segments are in front of the tires.
5. Pull the remaining track around the rear tire and forward to the front of the vehicle.
6. Deflate the front and rear tires for easier installation of the final track pin. The gap between the adjoining segments should be between 2" to 2-1/2". Adjust the quantity of

track segments to meet this requirement.

7. Join the two ends of the track and secure them in place with C-clamps as shown in Fig. 11-4, so that the 1/4" holes are lined up.
8. Install the final track pin as in instruction No.1 & 2. Remove the C-clamps.
9. Inflate all tires to 3.0 psi (0.17kg/cm²).

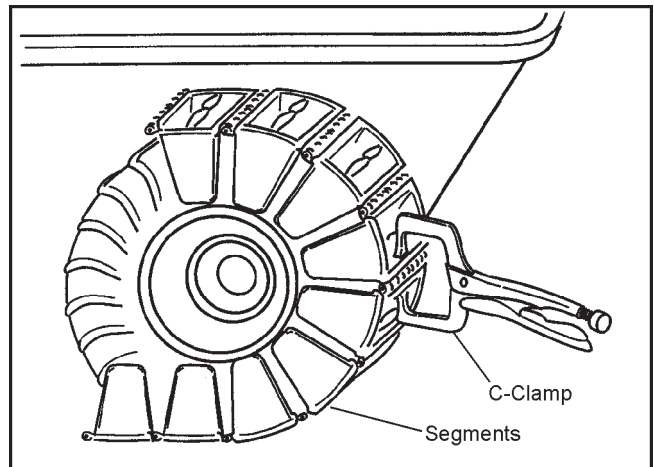


Figure 11-4 Track Assembly

10. Allow the tires to reach temperature of operating conditions. Recheck the tire inflation at operating condition before operation.

Temperature changes will cause the segments to expand or contract and will also change the tire pressure. In order to maintain suitable tension on the track system, observe the following precautions:

⚠ CAUTION

DO NOT over inflate tires. Lower body damage could result from track segments rubbing against the polyethylene body material. Pay special attention to the tracks during the first few "run-in" hours of use.

If the tracks become slack, start hitting the lower body, or the tires begin to slip inside the tracks, DO NOT INCREASE TIRE PRESSURE OVER 3.0 psi. REMOVE THE HALF SEGMENT FROM EACH TRACK, OR REMOVE A FULL SEGMENT AND ADD THE HALF SEGMENT.

Over inflation of the tires will cause excessive and premature wear of the tires and ARGO track system, and may cause axle and/or axle bearing damage. Under inflation of the tires may allow them to slip in the track or may cause the tire to pop off the wheel rim. Under

SECTION 11

ACCESSORY INFORMATION

certain conditions, the tires may climb out of the track system during a turn or side hill operation. Check that all tires are correctly inflated, and avoid sharp high speed turns when the Argo is heavily loaded.

11.3.2 Removal of Argo Tracks

1. Use C-clamp to take tension off of track pin, as in Fig. 11-4.
2. Loosen the set screw in the lock bushing of the track pin. Store set screw in a safe place.
3. Using a 1/4" pin punch and hammer, start the removal of the track pin from the vehicle side of the track. Once started, pull the pin out of the segment with Vise Grip.
4. Pull the track off the top of the tires and drive the vehicle out of the tracks.

11.3.3 Operating Precautions

An Argo equipped with tracks has a reduced carrying capacity in water. Tracked 6 wheel models have a 120 kg/264 lbs. capacity. Tracked 8 wheel models have a 270 kg/589 lbs. capacity. Refer to Section 5.6 of this manual for additional information on safe operation in water.

CAUTION

CAUTION should be observed when operating in winter conditions and a drop in temperature occurs. Snow and slush accumulation in the track could freeze, resulting in damage to the track system. Slush, snow and ice accumulation should be cleared from the axles and track periodically to prevent build-up.

CAUTION should be observed when using any track system on an Argo. Make sure the steel connecting pins are properly secured in each track segment. Failure to secure the track pins in the segment can result in lower body damage if the track pin moves out of the segment toward the lower body.

WARNING

EXTREME CAUTION must be observed when using the track systems on icy surfaces. Steering and braking effectiveness will be reduced. Reduce speed.

EXTREME CAUTION must be observed when crossing ice-covered water. The vehicle may sink if it breaks through the ice surface and fills with water. Make sure drain plugs are securely in place and do not overload the vehicle. Should the vehicle break through the ice, attempt to back the vehicle out, taking care that water does not enter the engine compartment. Refer to section 5.7.1 of this manual for additional information on

safe operation on ice-covered water.

11.3.4 Standard Tracks

Standard Tracks are intended to extend the use of the Argo so that it can be driven over softer terrain conditions such as mud, swamp, muskeg and snow. The standard track system is well suited for a wide variety of terrain conditions. However, for deep snow conditions, the Super Track system will outperform the standard track system.

11.3.5 Super Tracks

Super Tracks provide the maximum "flotation" available for the Argo. They are very effective in deep snow, swamp and muskeg.

Care must be used while traveling over uneven ground conditions. The extra width of the segments can lead to the segments tipping to one side on the tire to such an extent that the tire guide forces the tire bead off the rim. SUPER TRACKS ARE NOT RECOMMENDED FOR TRAVEL OVER LOGS, STUMPS OR ROCKS.

11.4 ICE CLEAT KIT (Part Nos. 625-20 & 825-20)

ARGO ice cleats are stamped steel cleats that bolt to the outer edges of the Super Track segments to grip on hard pack snow and ice to improve traction and stopping.

WARNING

Make sure all passengers riding in an Argo equipped with ice cleats are informed to keep hands, feet and clothing inside the vehicle, well away from the tracks and ice cleats while the Argo is in motion. Serious injury or death could result from getting caught by the ice cleats.

CAUTION

Installing Argo ice cleats or any other traction device on the in-board side of the track segment, close to the lower body, may cause damage to the lower body if contact results while the vehicle is being driven.

11.5 OUTBOARD MOTOR BRACKET (Part No. 617-00)

The outboard motor bracket accepts gasoline or electric outboard motors of up to 9.9 horsepower. Long shaft models are recommended to avoid cavitation during operation. When selecting an outboard specifically for the Argo, consider a light-weight 4 to 5 h.p. model for ease of handling, installation and

SECTION 11

ACCESSORY INFORMATION

adequate propulsion. When traveling on land it is recommended that the outboard motor be transported safely in the rear compartment of the Argo.

⚠ CAUTION

Deformation of the body components adjacent to the outboard motor bracket may occur when outboard motors are left installed in hot temperatures. Caution should be observed when turning an outboard motor equipped Argo on land. Since the rear of an Argo swings sideways during a turn, the motor could strike a person or object causing injury or damage.

11.6 OUTBOARD MOTOR SUPPORT (Part No. 618-00)

The 618-00 outboard motor support mounts in place of the trailer coupler ball to provide support for the tail shaft of any gasoline outboard motor. The 616-16 receiver style trailer hitch is required to accept the 618-00 bracket. If an Argo amphibious trailer must be towed in water, use 618-10 side mount outboard motor bracket instead of 617-00/618-00 combination.

11.7 OUTBOARD MOTOR BRACKET - SIDE MOUNT (Part No. 618-10)

The side mount outboard motor bracket attaches to the right rear of any Argo model. It allows the attachment of a gasoline or electric outboard motor of 9.9 horsepower maximum. When traveling on land it is recommended that the outboard motor be transported in the rear compartment of the Argo.

Use caution when turning in confined spaces or close to bystanders. Personal injury or damage may result.



Figure 11-5. Warning Label 618-21

11.8 ARGO STORAGE COVERS (Part Nos. 621-10; 621-20; 821-10 & 821-20)

The Argo storage covers prevent debris, rain water or snow from accumulating in the Argo. Secure the cover by pulling it down over the bumper and tying the cord tightly in place. A cord or tie strap through the side grommets and under the vehicle lower body securely holds the cover in place in windy conditions.

⚠ CAUTION

Damage may result to the cover if the vehicle is transported at highway speeds with the cover in place. If the cover must be used while transporting the vehicle, damage may be minimized by placing padding over sharp corners such as the tail pipe or the winch and tying the cover securely in place against the Argo body.

11.9 POWER WINCH (Part No. 622-40 & 622-70)

The power winch mounts to the front of the Argo and can be used for self-recovery and to raise and lower the snowplow blade (Part No. 657-00). The winch has a free-wheeling feature that allows the cable to be pulled off the winch drum without using the 12 volt electric motor.

The electrical components and the wiring design of the winch kit prevents the use of the winch motor unless the ignition key is turned to the 'on' position. This is a safety feature that prevents the unauthorized use of the winch when the vehicle is parked.

After the installation of the winch kit is completed, test the electrical connections by moving the toggle switch control from side to side with the ignition switch removed. If the winch DOES NOT operate the connections are correct. If the winch starts during this test have the installer correct the wiring connections immediately.

⚠ CAUTION

11.9.1 Rules For Safe Operation

1. The X2 winch is rated at 3,000 pounds (single-line) capacity. **DO NOT OVERLOAD. DO NOT ATTEMPT PROLONGED PULLS AT HEAVY LOADS. DO NOT MAINTAIN POWER TO THE WINCH IF THE MOTOR STALLS.** Overloads can damage the winch and/or the wire rope and create unsafe operating conditions. For heavy loads, we recommend the use of the optional pulley block and hook assembly (Superwinch Part No. 1503) to double line the wire rope (Figure 11-6). This reduces the load on the winch

SECTION 11 ACCESSORY INFORMATION

and the strain on the wire rope by approximately 50%.



Figure 11-6 Double Line

2. Periodically check the winch installation to assure that all bolts are tight.
3. DO NOT “move” your vehicle to assist the winch in pulling a load. The combination of the winch and vehicle pulling together could overload the wire rope and the winch itself.
4. KEEP WINCHING AREA CLEAR. Do not allow people to remain in the area during winching operations. Do not step over a taut wire rope or allow anyone else to do so. Do not stand between the winch and the load.
5. INSPECT WIRE ROPE AND EQUIPMENT FREQUENTLY. A frayed wire rope with broken strands should be replaced immediately. Always replace wire rope with the manufacturer’s identical replacement part, Superwinch Part No. 1513.
6. USE HEAVY LEATHER GLOVES when handling wire rope. Do not let wire rope slide through your hands. A broken strand could seriously injure your hands.
7. Keep clear of winch wire rope and hook when operating winch. Never put your fingers through the hook when reeling in the last few feet of line. If your finger should become trapped in the hook, you could lose your finger. Use the HANDSAVER BAR (Figure 11-7) to guide the hook within the last few feet. Never guide a wire rope onto the drum with your hand.

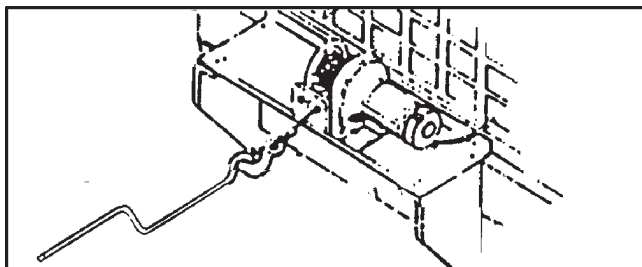


Figure 11-7 Using the Handsaver Bar

8. NEVER HOOK THE WIRE ROPE BACK ONTO ITSELF. Use a nylon sling. Hooking the wire rope onto itself can damage the rope (Figure 11-8).

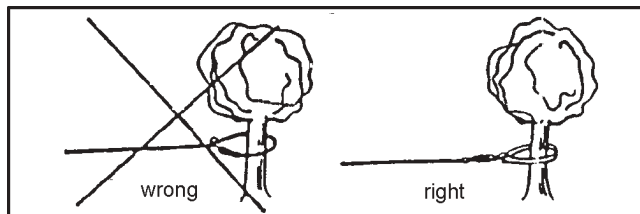


Figure 11-8 Incorrect and correct hook-up

9. It is a good idea to lay a heavy blanket or jacket over the wire rope near the hook end when pulling heavy loads (Figure 11-9). If a wire rope failure should occur, the cloth will act as a damper and help prevent the rope from whipping.

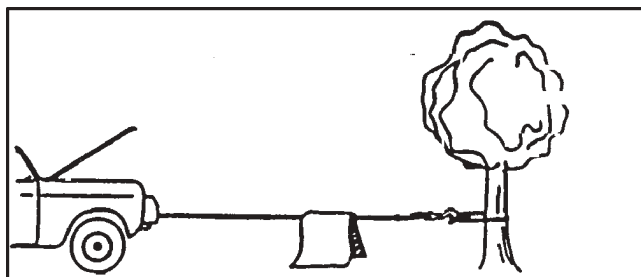


Figure 11-9 Using a cloth damper

10. Your winch is not designed or intended for overhead hoisting operations. Never use your winch for lifting or moving people.
11. Avoid continuous pulls from extreme angles as this will cause the wire rope to pile up at one end of the drum (Figure 11-10). This can jam the wire rope in the winch causing damage to the wire rope or the winch itself.

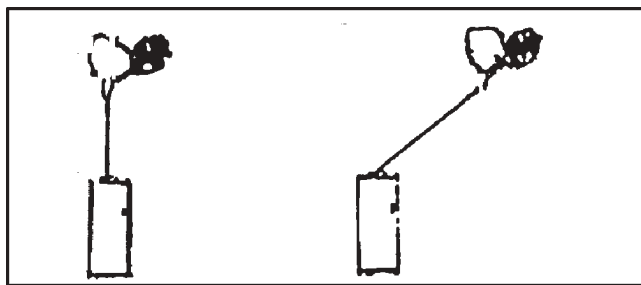


Figure 11-10 Correct and incorrect positioning for continuous pulls.

12. Always operate the winch with an unobstructed view of the winching operation.
13. Do not operate the winch when under the influence of drugs, alcohol or medication.
14. Never work on or around the fairlead or winch drum when the winch is under load.

SECTION 11

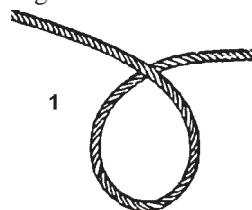
ACCESSORY INFORMATION

15. When using your winch to move a load, place the vehicle transmission in neutral, set vehicle parking brake, chock all wheels, and keep the engine running.
16. Do not use the winch to hold the Argo in place during transportation. Use tie-down straps.
17. Maintain at least five turns of wire rope around wire rope drum to prevent the wire rope from pulling off under load.
18. Never run winch without circuit breakers in place. Dangerous overloads to mechanical and electrical components can result.

11.9.2 Tips for Extending the Life of Your Winch

1. Keep a tightly and evenly wound wire rope drum. Do not allow the wire rope to become loosely wound. A loosely-wound spool allows a wire rope under load to work its way down into the layers of wire rope on the drum. When this happens, the wire rope may become wedged within the body of the windings damaging the wire rope. To prevent this problem, keep the wire rope tightly and evenly wound on the drum at all times. During winching, periodically check to see that the wire rope is winding on evenly. A good practice is to rewind the wire rope under tension after each use. One way to do this is to attach the hook to a stationary object at the top of a small hill or incline and winch your vehicle up the incline.
2. Do not allow motor to overheat. Remember, the winch is only for intermittent use. During long or heavy pulls the motor will get hot. The internal parts will be hotter than the case. To check the motor temperature, stop winching and carefully touch the end of the motor. If the motor is uncomfortably warm, allow the motor to cool before continuing — keep the engine running to recharge the battery during this break.
3. Use a pulley block for heavy loads. To maximize winch and wire rope life, use a pulley block (Superwinch Part No. 1503) to double line heavier loads.
4. The pull required to start a load moving is often much greater than the pull required to keep it moving. Avoid frequent stopping and starting during a pull.
5. Prevent kinks before they occur.

- (1) This is the start of a kink. At this time, the wire rope should be straightened.



- (2) The wire rope was pulled and the loop has tightened to a kink. The wire rope is now permanently damaged and must be replaced.



- (3) The result of kinking is that each strand pulls a different amount, causing the strands under greatest tension to break and reduce load capacity of the wire rope. The wire rope must be replaced.



11.10 REAR MUD FLAPKIT (Part No. 625-10)

Argo mud flaps are made of black polyethylene sheet cut to conform to the curve of the rear corners of the lower body. They are recommended for use with either track system to block the mud and snow thrown up during higher speed travel.

11.11 TRAILER HITCH KIT (Part No. 626-10)

The trailer hitch kit is optional for the Vanguard models and is standard on all other models. It mounts at the rear of the Argo. Maximum tongue weight is 100 lbs./45 kgs. Maximum pull weight is 800 lbs./364 kgs.

11.12 BILGE PUMPKIT (Part No. 638-25)

The bilge pump kit features a 12 volt, 500 gallon per hour pump to empty water from the lower body. Operated by a dash mounted push/pull switch, the bilge pump is recommended for any amphibious use of an Argo.

CAUTION

The pump is not designed to run dry. Use only when water has collected in the lower body.

SECTION 11 ACCESSORY INFORMATION

11.13 HANDRAIL KITS (Part Nos. 639-20 & 839-20)

Handrails mount to the top of the upper body around the rear compartment, providing a convenient passenger hand hold or cargo tie down point.

CAUTION

Do not attempt to lift the vehicle by using the handrails.

11.14 TOW HOOK KIT (Part No. 642-00)

The tow hook kit is a steel fabrication that bolts securely through the bumper and both body halves at the front or rear of the vehicle.

CAUTION

The tow hook is not intended to secure an Argo to a trailer or truck bed. Body deformation could result from a downward pull.

11.15 WINDSHIELD (Part No. 648-75)

The windshield features an anodized aluminum frame with rubber mounted 24" high x 48" wide laminated safety glass. It mounts to the top of the dash area of any Argo model, folds down and secures in place over the hood and is required for the convertible top.

CAUTION

When the windshield is raised in the upright position, it must be supported by the two side support arms. Attach both support arms to the windshield frame brackets using the quick pins supplied. Do not attempt to fasten the front of a convertible top to the windshield until the support arms are in place.

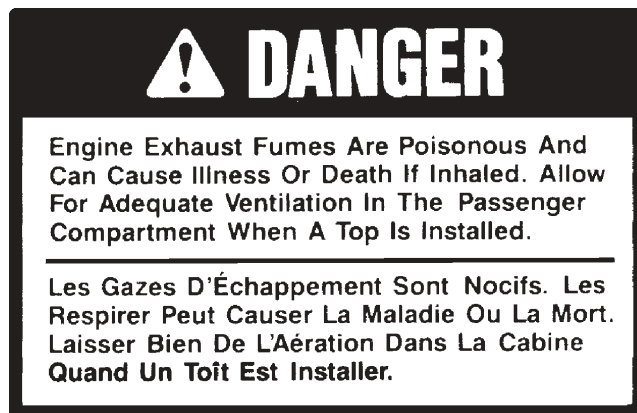
DO NOT transport the Argo at highway speeds with the windshield upright. For transportation at highway speeds, it is recommended that the vehicle be reversed on the truck or trailer so that the front of the Argo faces to the rear. The windshield should be folded down and secured in place using a rope or a tie down strap.

CAUTION

Operating the Argo for extended periods in high ambient temperatures with the windshield in the folded down position may restrict hot air flow from the engine compartment which could lead to engine overheating and heat build-up in the windshield frame and glass. Use

caution when operating the vehicle with the windshield folded down to avoid overheating in warm temperatures.

The following decal should be attached to the inside of the windshield:



If this decal is not attached to the windshield, contact your Argo retailer for a free-of-charge replacement. The part number is 126-84.

11.16 CONVERTIBLE TOP (Part No. 649-33, 649-50 & 849-50)

The convertible top provides protection from the elements for the occupants and offers the option of rolling up or removing the side doors, rear door and rear side panels while leaving the overhead portion in place.

CAUTION

Never fold the clear plastic windows; always roll them up to store them in place on the top assembly or remove them.

To fold the convertible top for storage, unzip the side and rear doors and the side panels, lay them aside and unsnap the domes along the front of the roof panel from the windshield frame. Fold the aluminum top frames together and roll the overhead panel around the frames loosely. Then, roll the window panels around the top material so the boot will cover the complete assembly for protection.

CAUTION

The convertible top assembly is not designed to withstand the turbulence created while transporting the vehicle with the top assembled in the 'up' position. Fold the top down and secure it properly to the vehicle body

SECTION 11

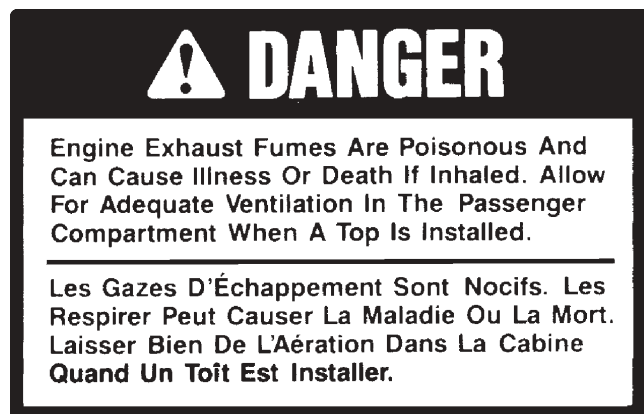
ACCESSORY INFORMATION

or remove it from the vehicle for high speed transportation.

WARNING

Hearing protection is strongly advised when operating the vehicle equipped with any convertible top assembly.

The following decal should be attached to the inside of the windshield:



If this decal is not attached to the windshield, contact your Argo retailer for a free-of-charge replacement. The part number is 126-84.

11.17 ALTERNATOR KITS (Part No. 650-60 & 850-60 for the Vanguard, Vanguard2, Bigfoot & Response/Part No. 850-40 for the Conquest)

The externally mounted, belt driven, 40 amp alternator is recommended when electrical accessories such as a winch are added to the vehicle.

There is a red charge indicator light installed in the dash, to the right of the ignition switch. If the red light comes on, the alternator is not sending a charge to the battery. This may simply be a result of low engine idle speed. If the light stays on at vehicle operating speeds, have your Argo retailer service the system soon.

11.17.1 Alternator Kit for Conquest (Part No. 850-40)

Check the V-belt tension frequently to be sure belt deflection is no more than 1/8" or 3 mm with approximately 6 lbs. or 3 kgs of force applied to the belt, halfway between the pulleys. Adjust the belt tension as necessary. Failure to do so will reduce the charge rate and lead to battery failure.

11.18 SNOW PLOW KIT (Part No. 657-13)

The snow plow assembly attaches to the front of the Argo at two mounting brackets that bolt to the front axle bearing extension housings. The plow blade is raised and lowered by operating the power winch in and out.

WARNING

DO NOT STAND BETWEEN THE PLOW BLADE AND THE FRONT OF THE ARGO. Injury could result if the blade is raised.

The vehicle operator must observe caution when operating the vehicle and snow plow in the presence of others. Injury could result if a bystander is struck when the vehicle swings to turn or the blade is lowered onto someone's foot. Always be aware of the area being plowed. Although there is a blade trip mechanism feature of the blade, damage or operator injury could result from hitting rocks, stakes or curbs hidden under the snow being plowed.

11.19 AMPHIBIOUS TRAILER (Part No. 695-75)

The Argo four wheel amphibious trailer is designed as an additional cargo carrier for any Argo model. It is not intended for the transportation of people. Trailer load capacity is 600 lbs or 270 kgs at a recommended tire pressure of 4 psi.

11.19.1 Operating Precautions

Keep cargo low and centered in the trailer, especially if used in the water. Secure the load in place to keep it from shifting when traveling in uneven terrain. Avoid sudden stops when towing the trailer downhill to prevent the trailer from colliding with or passing the Argo.

Do not step on or place loads on the edge of the body over the trailer wheels. This area of the trailer body is intended only as a mud guard.

Follow the instructions listed in Section 6.4.5 of this manual to service the axle bearings. Do not allow water and debris to accumulate in the bottom of trailer body to avoid premature bearing failure.

WARNING

Keep fingers clear of tongue swiveling components.

11.20 HEATER KIT - Conquest (Part No. 848-10)

The heater kit includes a conventional automotive style hot coolant heater core with 2 speed fan to circulate the warm air

SECTION 11

ACCESSORY INFORMATION

through the ducts to the right side of the driver's compartment and the windshield. In some operating conditions, ie. high humidity or full passenger load, defrosting the windshield and side panel windows may not be effective.

When the heater is not required, the heater valve should be closed, diverting all of the coolant through the engine radiator.

In extremely cold weather and operating at low load, the heater may perform like a second radiator and keep the engine from reaching proper operating temperature. Under these conditions, a piece of cardboard or similar material should be used to partially cover the engine radiator.

The 850-40 Alternator is essential to provide the electrical power to operate the heater fan and maintain the battery charge rate.

11.21 ROLLOVER PROTECTIVE STRUCTURES (Part Nos. 848-40-2, 848-40-4 & 648-40)

Roll Over Protective Structures (ROPS) are designed for use on all Argo models. Part No. 848-40-2 provides roll over protection and lap belts for the driver and front seat passenger of all Argo 8 x 8 models. Part No. 848-40-4 provides roll over protection and lap belts for driver, front seat passenger and two passengers in the optional rear bench seat (Part No. 849-60). Part No. 648-40 provides roll over protection and lap belts for driver and front seat passenger of all Argo 6 x 6 models.

The ROPS design provides reasonable protection from injury in the event of a rollover. DO NOT rely on it to protect the occupants from irresponsible driving.

The ROPS has been designed to meet the requirements of the Occupational Health and Safety Act - Regulation 856 'Roll-Over Protection Structures' for the Province of Ontario, Canada.

WARNING

Seat belts must be properly adjusted and worn by all occupants at all times EXCEPT when operating in water. Never carry more people in the vehicle than there are seat belts for.

Articles must not be placed on top of the ROPS. Use caution when traveling on uneven ground; the ROPS reduces vehicle stability.

No part of the ROPS shall be drilled, welded or altered in any way without the manufacturer's authorization. Do not exceed maximum gross vehicle weight of 907 kg (2000 lbs.)

Use caution when traveling tree-lined trails. Branches could be knocked down, causing injury to the vehicle occupants.

FAILURE TO COMPLY WITH THE ABOVE COULD RE-

SULT IN PERSONAL INJURY OR DEATH.

CAUTION

DO NOT use the ROPS as an attachment point for towing or winching the Argo.

Check fastener tightness annually. Inspect for and replace any damaged or worn parts of the ROPS and the seat belts.

11.22 REAR BENCH SEAT (Part No. 849-60)

This bench seat assembly is similar to the front bench seat design, providing a back rest and more comfort for two persons riding in the rear compartment of any current Argo 8 x 8 model. The seat cushion and back rest are easily removed to use the rear compartment for cargo.

CAUTION

Always ensure that the spring loaded pull pin (Part No. 849-72) on each side is fully engaged after installing the seat. Pull the seat hard to ensure that it is secured properly.

Never attach a tow line to the handrail of the seat back rest.

When a roll over protection structure (ROPS) is installed, seat belts must be installed for rear bench seat passengers and used properly.

11.23 DUMPBOX KIT (Part Nos. 835-00 & 835-01)

The dump box kit can be installed on any Argo 8 x 8. It improves the load carrying versatility of the Argo.

WARNING

Keep hands and arms clear when lowering box. No riders in box; riders can fall off and be killed. Installation of dump box reduces vehicle capacity;

On land: 408kg (900lbs)

On water: 227kg (500lbs)

(Capacity includes: occupants, cargo and fuel)

Tie loads down. Spread loads evenly.

Operators should use caution when turning in confined spaces and close to bystanders. The dump box decreases the rear clearance of the Argo.

Never operate dump while moving.

Operate dump on level ground only.

The dump box decreases the vehicle stability. Operate the vehicle with extra precautions when on uneven terrain and in water.

Note: Frequent use of the powered dump box will result in battery drain. The installation of an alternator kit is strongly suggested.

SECTION 11

ACCESSORY INFORMATION

11.23.1 Dump Box Operating Guidelines

1. For quick removal of the box disconnect the actuator or springs then disconnect the rear hinge pins 104-32.
2. The rear side seats can still be used if you remove the dump box and undercarriage.
3. A rear bench seat kit 849-60 can be used when the dump box is removed. The undercarriage frame support plates are in the same location as the rear bench seat frame support plates. So the seat can quickly be attached without any additional mounting.

11.24 ROLL BAR KIT (Part No. 648-15)

The roll bar is designed for use on all Argo 6 x 6 models. The roll bar provides some roll over protection and lap belts for the driver and front seat passenger.

WARNING

When the Roll Bar Kit is installed, ALWAYS wear seat belts when operating the vehicle on land. REMOVE seat belts when entering water.

Maximum total vehicle weight must not exceed 1465 lbs. or 665 kg. which means 2 people and 100 lbs. or 46 kg. of cargo in the vehicle.

Never attach anything to the Roll Bar other than Ontario Drive & Gear 648-15 Roll Bar specific accessories.

The Roll Bar reduces vehicle stability. Always use common sense when traveling over rough terrain.

The Roll Bar is designed to reduce the chance of injury. DO NOT rely on it to protect the vehicle occupants from irresponsible driving.

The Roll Bar could come in contact with tree branches. Falling branches or vehicle upset could occur. Use extreme caution when traveling on narrow tree lined trails.

DO NOT use the Roll Bar as an attachment point for towing or winching.

Check the torque of the Roll Bar nuts and bolts annually and replace any parts that are damaged. When the Roll Bar is installed, never carry more than two people in the Argo.

Replace worn or damaged seat belt straps and buckles.

Failure to comply with the above could result in personal injury or death.

11.25 12V Accessory Outlet Kit (Part No. 633-25)

The 12V Accessory Outlet Kit contains a 12V outlet, wire harness complete with in-line fuse holder & fuse, and the necessary hardware to mount the outlet in the upper body of any Argo model. When mounting the outlet, be sure to select an area within reach for the wire harness. The wire harness gets

connected directly to the battery terminals so any mounting location chosen, must allow the harness to reach both the outlet and the battery. When mounting, be sure that the wire harness is securely clipped into place and not left dangling near moving parts within the engine compartment.

CAUTION

Because the outlet is wired directly to the battery, it is constantly "live," even without the key turned on. Excessive use will run down the battery.

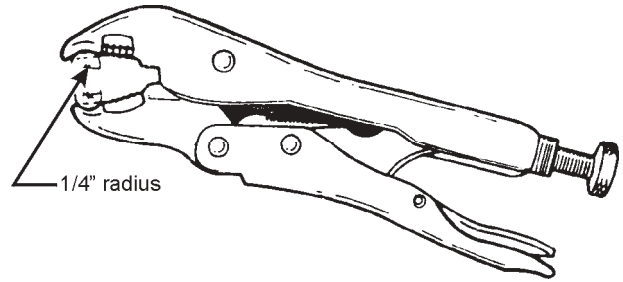
CAUTION

This outlet is NOT designed to support nor should it be used as a cigarette lighter socket.

APPENDIX 1 SPECIAL TOOLS

7R VICE GRIP MODIFICATION

As detailed in Section 7, a pair of modified 7R Vice Grips is required to hold the ends of the drive chain together while inserting the connecting link. This tool can also be used to hold the ends of the idler chain together while inserting the connecting link. Grind the undercut and sides of the vice grip jaw to fit over 2 chain rollers. The undercut is approximately 1/4" radius as shown.



NOTES

ARGO New Vehicle Limited Warranty

The warranty period is limited to 12 months from the date of retail sale, with the following exceptions:

Engine - 24 months from the date of retail sale separately by the engine manufacturer's service network

Exide Battery - Factory supplied OEM Exide batteries are warranted for 12 months free replacement from date of retail sale by the battery manufacturer's service network, 60 months warranty pro-rated.

Tires - 3 months from the date of retail sale

Ontario Drive & Gear Limited hereby warrants to the original retail purchaser that each new and unused ARGO is free from any defect in material or workmanship for the warranty period specified, under normal use and service by the original purchaser.

This warranty is void unless a Warranty Registration Form 670-11 and Pre-Service Checklist Form 670-11 have both been properly completed and returned to Ontario Drive & Gear Limited within 10 days of the date of retail sale.

This warranty is not transferable unless an application of transfer has been approved by Ontario Drive & Gear Limited and a new warranty card has been issued.

This warranty shall not apply to used or demonstrator ARGOS or to such units delivered to a distributor or dealer more than 12 months before its retail sale, unless a warranty validation is obtained from Ontario Drive & Gear Limited by written notice specifying the vehicle in question.

This warranty is void immediately upon the ARGO being used in any speed contest (racing, dragging, etc.).

This warranty does not cover the following items:

1. Machines or parts lost or damaged during shipment.
2. Normal maintenance or adjustments after initial pre-servicing is completed.
3. Normal replacement of service items.
4. Accessory items not supplied by Ontario Drive & Gear Limited.
5. Damages resulting from:
 - misuse, accident, theft or fire
 - use of improper or insufficient fuel, fluids or lubricants
 - use of parts other than genuine ARGO replacement parts
 - modifications, alteration, tampering or improper repair performed by parties other than an authorised ARGO dealer or distributor
 - any device or accessories installed by parties other than an authorised ARGO dealer or distributor
6. Batteries that fail due to improper charging or installation; broken container, cover or terminal sulphation or dehydration; damage caused by fire, excessive heat, wreckage, explosion, freezing, the addition of any chemical or solution other than the battery grade sulphuric acid.

This shall constitute the complete and only warranty given by Ontario Drive & Gear Limited, and, except as specifically set forth in the foregoing, Ontario Drive & Gear Limited shall not, in any event, be liable for any losses, damages or costs, whether special, incidental, consequential or otherwise, in any way related to any vehicle or its sale. No warranty, expressed, implied or statutory, as to merchantability, fitness for a particular purpose, description, quality or any other matter is given in connection with any ARGO vehicle or its sale and no agent, employee or other person has any authority to vary any of the foregoing provisions. Provided, however, that this clause shall be severable where voided by application of the Consumer Protection Act.

ARGO RETAILER... Please complete this page at the time of sale to the new owner so your customer has all pertinent information that may be required.

ARGO MODEL _____

ARGO SERIAL NO. _____

ENGINE SERIAL NO. _____

TRANSMISSION SERIAL NO. _____

SOLD TO: _____

STREET ADDRESS: _____

CITY OR TOWN: _____ PROV/STATE: _____

POSTAL/ZIP: _____

DATE OF SALE: _____

WARRANTY PERIOD EXPIRES: _____

DEALER NAME: _____

PHONE: _____

ADDRESS: _____

CITY/TOWN: _____ PROV/STATE: _____

ARGO PRODUCTS MANUFACTURED BY:

**Ontario Drive & Gear Limited
220 Bergey Court
New Hamburg, Ontario
N3A 2J5 Canada
Phone: (519) 662-2840
Fax: (519) 662-2421
www.argoatv.com**